

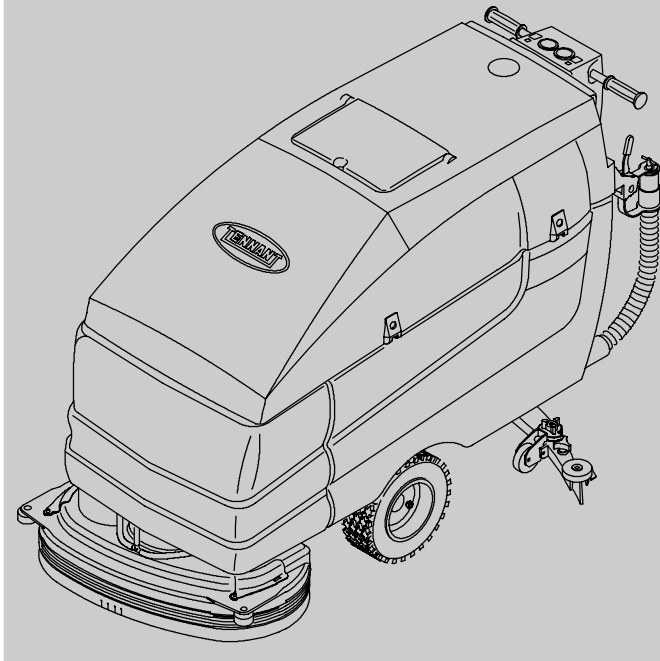
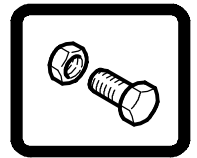


5700

(Electric)

(000000-029999)

Walk-Behind Scrubber Parts Manual



FaST
Foam Scrubbing Technology
The Safe Scrubbing Alternative®

ES® Extended Scrub System

North America / International

www.tennantco.com

MM400
Rev. 20 (09-2006)



When ordering replacement parts, use the illustrated parts list section in this manual. Before ordering parts or supplies, be sure to have your machine model number and serial number available. Only use TENNANT Company supplied or equivalent parts. Parts and supplies may be ordered online, by phone, or mail from any authorized parts and service center, distributor or from any of the manufacturer's subsidiaries.

This machine will provide excellent service. However, the best results will be obtained at minimum costs if:

- The machine is operated with reasonable care.
- The machine is maintained regularly - per the machine maintenance instructions provided.
- The machine is maintained with manufacturer supplied or equivalent parts.

MACHINE DATA

Please fill out at time of installation for future reference.

Model No. - _____

Serial No. - _____

Machine Options - _____

Sales Rep. - _____

Sales Rep. phone no. - _____

Customer Number - _____

Installation Date - _____

Tennant Company

PO Box 1452

Minneapolis, MN 55440

Phone: (800) 553-8033 or (763) 513-2850

www.tennantco.com

FaST-PAK is a US registered and unregistered trademark of Tennant Company.

Specifications and parts are subject to change without notice.

Copyright © 1998-2000, 2002-2006 TENNANT, Printed in U.S.A.

HOW TO USE THIS MANUAL

This section on *HOW TO USE THIS MANUAL* will tell you how to:

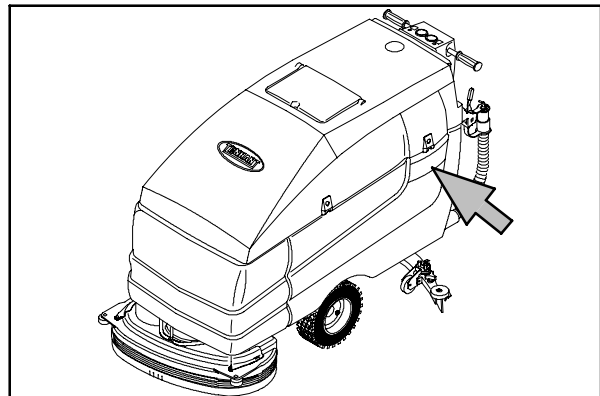
- Find important machine information for ordering correct repair parts.
- Find TENNANT part numbers.
- Order TENNANT parts and supplies.

IMPORTANT INFORMATION

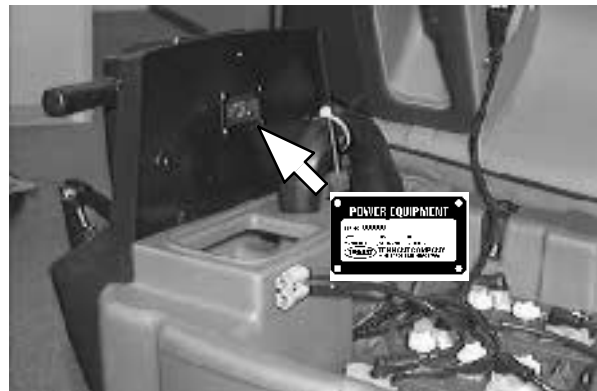
When placing an order for parts, the machine model and machine serial number are important. Refer to the *MACHINE DATA* box which is filled out during the installation of your machine. The *MACHINE DATA* box is located on the inside of the front cover of this manual.

MACHINE DATA	
<i>Please fill out at time of installation for future reference.</i>	
Machine Model Number - 5700	
Machine Serial Number - _____	
Machine Options - _____	
TENNANT Representative/phone no. - _____	
Customer ID Number - _____	
Date of Installation - _____	
Manual Number - MM400	
Revision: 00	
Published: 1-95	

The model number of your machine is on the side of the machine.



The serial number of your machine is printed on the machine data plate located as shown.



HOW TO USE THIS MANUAL

FINDING A TENNANT PART NUMBER

This manual contains the following sections:

- HOW TO USE THIS MANUAL
- STANDARD PARTS
- OPTIONS
- BREAKDOWNS
- CROSS REFERENCE

The STANDARD PARTS section lists repair parts for standard machines. They are grouped in this general order:

- General wear parts.
- Machine frame and related parts.
- Machine propelling system.
- Scrubbing components.
- Electrical parts.

The OPTION section lists repair parts of options.

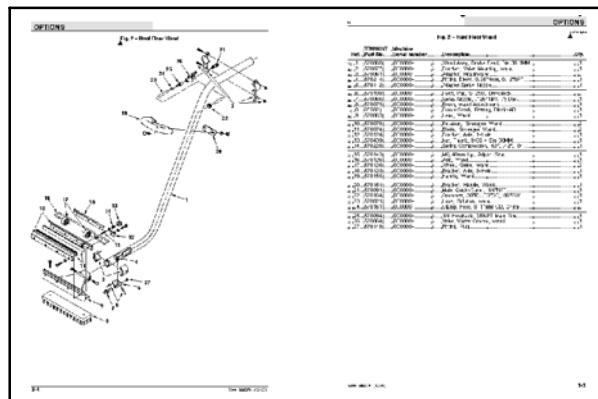
The BREAKDOWN section lists available repair parts of major components.

All sections in this manual consist of parts illustrations and corresponding parts lists.

The parts illustrations are numbered with **Ref** numbers which refer to corresponding parts lists.

The parts lists include a number of columns of information:

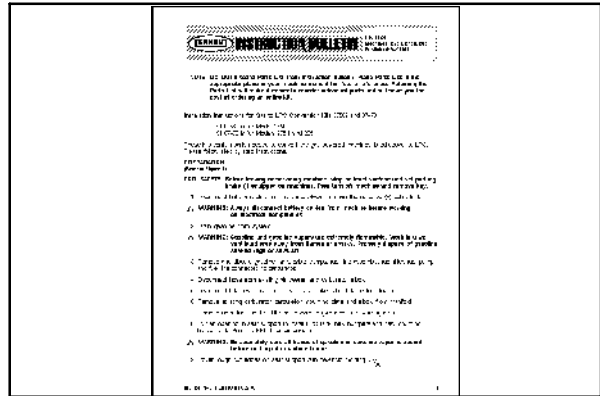
- **Ref** - column refers to the reference number on the parts illustration.
 ▽ - indicates the part is an assembly.
 ▲ - indicates the part is included in the assembly listed just before it.
- **Part No.** - column lists the TENNANT part number for the part.
- **Serial Number** - column indicates the set of machines the part number is applicable to. Serial numbers change when the machine design has been modified. The most current design of the machine is shown in the main illustration, older designs are boxed in a corner of the illustration.
- **Description** - column is a brief description of the part.
- **Qty.** - column lists the quantity of that part used in that area of the machine.



Key	TENNANT Part No.	Machine Serial Number	Description	Qty.
1	578318	000000	Fitting, Quick conn.	1
2	578160	000000	Clamp, hose	2
3	578820	000000	Piece	1
4	578072	000000	Cuff, swivel	2
5	578276	000000	Piece, vacuum	1
6	578071	000000	Connector, quick F.	1
7	573265	000000	Piece Coupling	1

NOTE: If a service kit is installed on your machine, be sure to keep the INSTRUCTION BULLETIN which came with the kit. It contains repair parts numbers needed for ordering future parts.

NOTE: Fasteners used in this machine may be metric or non-metric. Take care when replacing hardware to replace with same thread size.



PLACING AN ORDER

Orders may be placed by phone, fax, or by mail. Phone orders may need written confirmation. Follow the steps below to insure prompt delivery:

1. Identify the model number of your machine.
2. Identify the serial number of your machine.
3. Find the part number of the part you need. Do not order by page number or reference number. If you are not able to find the part number, call your TENNANT representative for help or send the old part as a sample.
4. Determine the quantity of the part you need.
5. Provide the following company information:
 - Company name
 - Customer ID Number
 - Shipping address
 - Billing address
 - First and last name of person ordering parts
 - Telephone number
 - Purchase order number
6. Provide definitive shipping instructions.

HOW TO USE THIS MANUAL

Any claim for loss or damage to a shipment in transit should be filed promptly with the transportation company making the delivery. Shipments will be complete unless the packing list or order acknowledgement indicates items back ordered.

If parts received are suspected to be incorrect or defective, please contact the TENNANT representative from whom you ordered the part. They will give authorization for return and/or handle replacement shipments when required.

SECTION 2

Contents	Page	Contents	Page
Fig. 1 - Genreal Recommended Maintenance Items	2-3	Fig. 27 - Electrical Panel Group (000000-021999)	2-56
Fig. 2 - Brushes, Replacement, Model 700, 700 mm (28 in)	2-4	Fig. 28 - Electrical Panel Group (022000-)	2-58
Fig. 3 - Brushes, Replacement, Model 800, 800 mm (32 in)	2-6	Fig. 29 - Squeegee Lift Group	2-60
Fig. 4 - Brushes, Replacement, Model 900, 900 mm (36 in)	2-8	Fig. 30 - Squeegee Linkage Group	2-62
Fig. 5 - Main Frame and Drive Group	2-10	Fig. 31 - Squeegee Tight-Aisle Group, 550 mm (22 in)	2-64
Fig. 6 - Tire and Rim Assembly, Black	2-12	Fig. 32 - Squeegee Group, Model 700, 700 mm (28 in)	2-66
Fig. 7 - Scrub Head Lift Group	2-14	Fig. 33 - Squeegee Group, Model 800, 800 mm (32 in)	2-68
Fig. 8 - Scrub Head Kit, Model 700D, 700 mm (28 in)	2-16	Fig. 34 - Squeegee Group, Model 900, 900 mm (36 in)	2-70
Fig. 9 - Scrub Head Kit, Model 800D, 800 mm (32 in)	2-19	Fig. 35 - Electrical Schematic (000000-021999)	2-72
Fig. 10 - Scrub Head Kit, Model 900D, 900 mm (36 in)	2-22	Fig. 36 - Electrical Schematic (022000-)	2-74
Fig. 11 - Scrub Head Kit, Model 800D Heavy Duty, 800 mm (32 in)	2-24	Fig. 37 - Electrical Wire Harness Group (000000-021999)	2-77
Fig. 12 - Scrub Head Drive Group, Model 700C, 700 mm (28 in)	2-26	Fig. 38 - Electrical Wire Harness Group (022000-)	2-80
Fig. 13 - Scrub Head Frame Group, Model 700C, 700 mm (28 in)	2-28	Fig. 39 - Label Group	2-84
Fig. 14 - Scrub Head Drive Group, Model 800C, 800 mm (32 in)	2-30		
Fig. 15 - Scrub Head Frame Group, Model 800C, 800 mm (32 in)	2-32		
Fig. 16 - Scrub Head Drive Group, Model 900C, 900 mm (36 in)	2-34		
Fig. 17 - Scrub Head Frame Group, Model 900C, 900 mm (36 in)	2-36		
Fig. 18 - Recovery Tank Group (000000-022108)	2-38		
Fig. 19 - Recovery Tank Group (022109-)	2-40		
Fig. 20 - Solution Tank Group	2-42		
Fig. 21 - Vacuum Fan Group	2-44		
Fig. 22 - Solution Control Group	2-46		
Fig. 23 - Battery Group	2-48		
Fig. 24 - Steering Control Group	2-50		
Fig. 25 - Operator Console Group (000000-017945)	2-52		
Fig. 26 - Operator Console Group (017946-)	2-54		

Fig. 1 - Genreal Recommended Maintenance Items

Ref.	Part No.	Serial Number	Description	Qty.
	222381	(000000-) Blade, Squeegee,Front, 28"	1
	222382	(000000-) Blade, Squeegee,Rear, 28"	1
▽	222422	(000000-) Squeegee Kit F/Tile Gumrbr 700	1
▲	222385	(000000-) Blade, Squeegee,Tile, 28"	1
▲	222387	(000000-) Blade, Sqge,Rear,Gum, 28"	1
▽	222428	(000000-) Squeegee Kit Oil Rs Urethn 700	1
▲	222391	(000000-) Blade, Sqge, Front, 28", Oil Rst	1
▲	222389	(000000-) Blade, Sqge, Rear, 28", Oil Rst	1
	222241	(000000-) Blade, Squeegee,Front, 32"	1
	222242	(000000-) Blade, Squeegee,Rear, 32"	1
▽	222423	(000000-) Squeegee Kit F/Tile Gumrbr 800	1
▲	222384	(000000-) Blade, Squeegee,Tile, 32"	1
▲	222386	(000000-) Blade, Sqge,Rear,Gum, 32"	1
▽	222429	(000000-) Squeegee Kit Oil Rs Urethn 800	1
▲	222392	(000000-) Blade, Sqge, Front, 32", Oil Rst	1
▲	222388	(000000-) Blade, Sqge, Rear, 32", Oil Rst	1
	222413	(000000-) Blade, Squeegee,Front, 36"	1
	222415	(000000-) Blade, Squeegee,Rear, 36"	1
▽	222424	(000000-) Squeegee Kit F/Tile Gumrbr 900	1
▲	222414	(000000-) Blade, Squeegee,Tile, 36"	1
▲	222416	(000000-) Blade, Sqge,Rear,Gum, 36"	1
▽	222433	(000000-) Squeegee Kit Oil Rs Urethn 900	1
▲	222434	(000000-) Blade, Sqge, Front, 36", Oil Rst	1
▲	222435	(000000-) Blade, Sqge, Rear, 36", Oil Rst	1
	222066	(000000-) Wheel, 3.0 Dia	4
	82138	(000000-) Nut Speed,Retainer, .25-20 Thd	2
	222178	(000000-) Roller, Bumper	2
	222403	(000000-) Wheel, 2.0 Dia	2
	222430	(000000-) Skirt Assy, Disk Head, 28"	1
	222431	(000000-) Skirt Assy, Disk Head, 32"	1
	222432	(000000-) Skirt, Assy, Disk Head, 36"	1
▽	222711	(000000-) Replm Kit, Brush Skirts	1
▲	222180	(000000-) Skirt, Scrub Head	4
▲	222511	(000000-008920) Skirt, Deflector	2
	223568	(008921-) Skirt, Deflector	2
	1017015	(000000-) Detergent Pkg, 2 Liter, Sgl, 365	-
	1017022	(000000-) Detergent Pkg, 2 Liter, Sgl, 665	-
	9002021	(000000-) Detergent, 2 Liter [Fast 965]	-

Fig. 2 - Brushes, Replacement, Model 700, 700 mm (28 in)

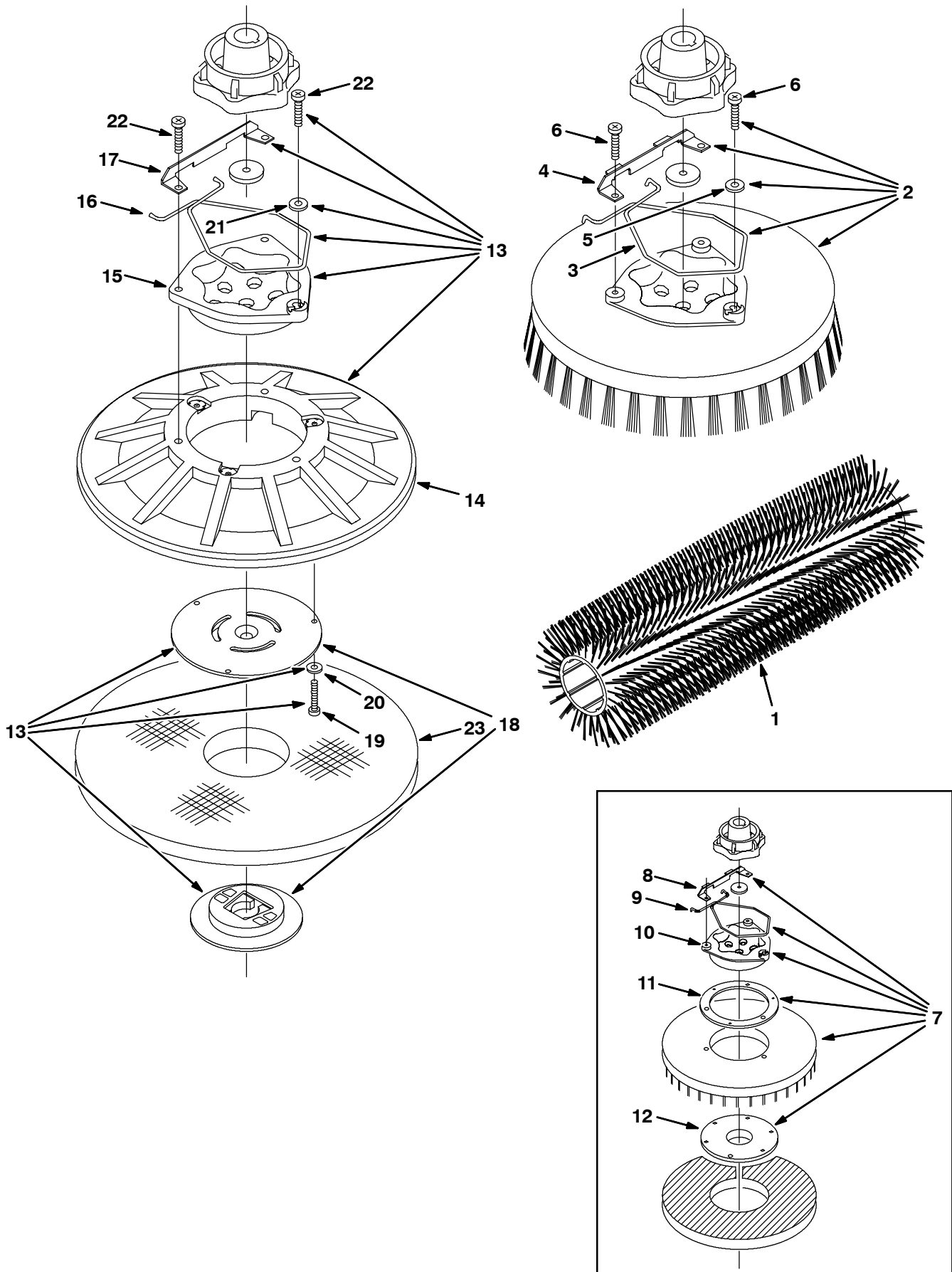


Fig. 2 - Brushes, Replacement, Model 700, 700 mm (28 in)

Ref.	Part No.	Serial Number	Description	Qty.
	1	222304	(000000-) Brush-Scr Grout 28"Lg 18Sr Poly	2
	1	374041	(000000-) Brush-Scrub 28"Lg 18Sr Poly	2
	1	222305	(000000-) Brush-Scrub 28"Lg 18Sr Nylon	2
	1	222306	(000000-) Brush-Scrub 28"Lg 18Sr Ab	2
▽	2	222321	(000000-) Brush-Disk Scr 14 D Assy-Nylon	2
▲	3	14838	(000000-) Spring, Brush Retaining	1
▲	4	24299	(000000-) Bracket, Spring Retainer	1
▲	5	01684	(000000-) Washer, Flat, 0.25 Ss	1
▲	6	32746	(000000-) Screw, Pan, M6 X 1.0 X 35, Ss	3
▽	2	222320	(000000-) Brush-Disk Scr 14 D Assy-Poly	2
▲	3	14838	(000000-) Spring, Brush Retaining	1
▲	4	24299	(000000-) Bracket, Spring Retainer	1
▲	5	01684	(000000-) Washer, Flat, 0.25 Ss	1
▲	6	32746	(000000-) Screw, Pan, M6 X 1.0 X 35, Ss	3
▽	2	222322	(000000-) Brush-Disk Scr 14 D-Assy-Ab	2
▲	3	14838	(000000-) Spring, Brush Retaining	1
▲	4	24299	(000000-) Bracket, Spring Retainer	1
▲	5	01684	(000000-) Washer, Flat, 0.25 Ss	1
▲	6	32746	(000000-) Screw, Pan, M6 X 1.0 X 35, Ss	3
▽	7	222323	(000000- xxxxxx) Driver, Pad 14 D Assy (Replaced by 370014)	2
▲	8	24299	(000000- xxxxxx) Bracket, Spring Retainer	1
▲	9	14838	(000000- xxxxxx) Spring, Brush Retaining	1
▲	10	15539	(000000- xxxxxx) Adaptor, Brush	1
▲	11	11218	(000000- xxxxxx) Spacer, Pad Holder	1
▲	12	19783	(000000- xxxxxx) Holder, Pad	1
▽	13	397914	(xxxxxx-) Driver, Pad 14 D Assy	2
▲	14	397974	(xxxxxx-) Back, Pad Drive W/Face 14 Dia.	1
▲	15	15539	(xxxxxx-) Adaptor, Brush	1
▲	16	14838	(xxxxxx-) Spring, Brush Retaining	1
▲	17	24299	(xxxxxx-) Bracket, Spring Retainer	1
▲	18	370095	(xxxxxx-) Centering Device, F/Pad Driver	1
▲	19	09198	(xxxxxx-) Scr Panssm 4X0.7 35	3
▲	20	41579	(xxxxxx-) Washer, Flat, #8, Ss	3
▲	21	01684	(xxxxxx-) Washer, Flat, 0.25 Ss	1
▲	22	32746	(xxxxxx-) Screw, Pan, M6 X 1.0 X 35, Ss	3
	23	222324	(000000-) Pad, Polish 14D White	2
	23	222325	(000000-) Pad, Buff 14D Red	2
	23	222326	(000000-) Pad, Scrub 14D Blue	2
	23	222327	(000000-) Pad, Strip 14D Brown	2
	23	370091	(000000-) Pad, Strip-Hd 14D Black	2

Fig. 3 - Brushes, Replacement, Model 800, 800 mm (32 in)

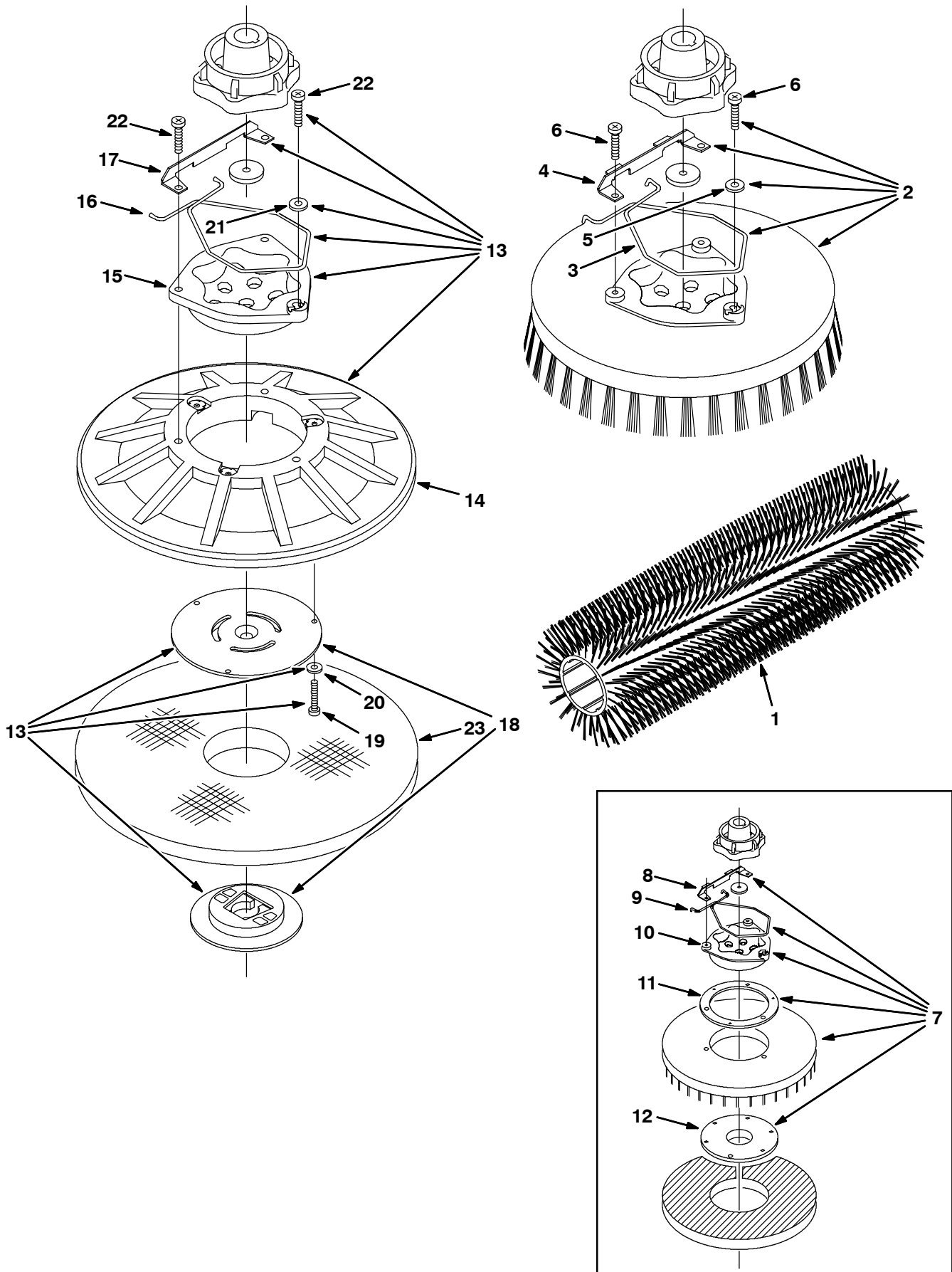


Fig. 3 - Brushes, Replacement, Model 800, 800 mm (32 in)

Ref.	Part No.	Serial Number	Description	Qty.
	1	222307	(000000-) Brush-Scr Grout 32"Lg 18Sr Poly	2
	1	374042	(000000-) Brush-Scrub 32"Lg 18Sr Poly	2
	1	222308	(000000-) Brush-Scrub -32Lg-18Sr-Nyl	2
	1	222309	(000000-) Brush-Scrub 32"Lg 18Sr Ab	2
▽	2	05724	(000000-) Brush-Disk Scr 16 D-Assy-Nyl	2
▲	3	14838	(000000-) Spring, Brush Retaining	1
▲	4	24299	(000000-) Bracket, Spring Retainer	1
▲	5	01684	(000000-) Washer, Flat, 0.25 Ss	1
▲	6	32746	(000000-) Screw, Pan, M6 X 1.0 X 35, Ss	3
▽	2	30241	(000000-) Brush-Disk Scr 16 D Assy Poly	2
▲	3	14838	(000000-) Spring, Brush Retaining	1
▲	4	24299	(000000-) Bracket, Spring Retainer	1
▲	5	01684	(000000-) Washer, Flat, 0.25 Ss	1
▲	6	32746	(000000-) Screw, Pan, M6 X 1.0 X 35, Ss	3
▽	2	05726	(000000-) Brush-Disk Scr 16 D-Assy-S Ab	2
▲	3	14838	(000000-) Spring, Brush Retaining	1
▲	4	24299	(000000-) Bracket, Spring Retainer	1
▲	5	01684	(000000-) Washer, Flat, 0.25 Ss	1
▲	6	32746	(000000-) Screw, Pan, M6 X 1.0 X 35, Ss	3
▽	7	30216	(000000- xxxxxx) Driver, Pad 16 D Assy (Replaced by 370016)	2
▲	8	24299	(000000- xxxxxx) Bracket, Spring Retainer	1
▲	9	14838	(000000- xxxxxx) Spring, Brush Retaining	1
▲	10	15539	(000000- xxxxxx) Adaptor, Brush	1
▲	11	11218	(000000- xxxxxx) Spacer, Pad Holder	1
▲	12	19783	(000000- xxxxxx) Holder, Pad	1
▽	13	397916	(xxxxxx-) Driver, Pad 16 D Assy	2
▲	14	397976	(xxxxxx-) Back, Pad Drive W/Face 16 Dia.	1
▲	15	15539	(xxxxxx-) Adaptor, Brush	1
▲	16	14838	(xxxxxx-) Spring, Brush Retaining	1
▲	17	24299	(xxxxxx-) Bracket, Spring Retainer	1
▲	18	370095	(xxxxxx-) Centering Device, F/Pad Driver	1
▲	19	09198	(xxxxxx-) Scr Panssm 4X0.7 35	3
▲	20	41579	(xxxxxx-) Washer, Flat, #8, Ss	3
▲	21	01684	(xxxxxx-) Washer, Flat, 0.25 Ss	1
▲	22	32746	(xxxxxx-) Screw, Pan, M6 X 1.0 X 35, Ss	3
	23	63248-1	(000000-) Pad, Strip 16D Brown	2
	23	63248-2	(000000-) Pad, Scrub 16D Blue	2
	23	63248-3	(000000-) Pad, Buff 16D Red	2
	23	63248-4	(000000-) Pad, Polish 16D White	2
	23	370092	(000000-) Pad, Strip-Hd 16D Black	2

Fig. 4 - Brushes, Replacement, Model 900, 900 mm (36 in)

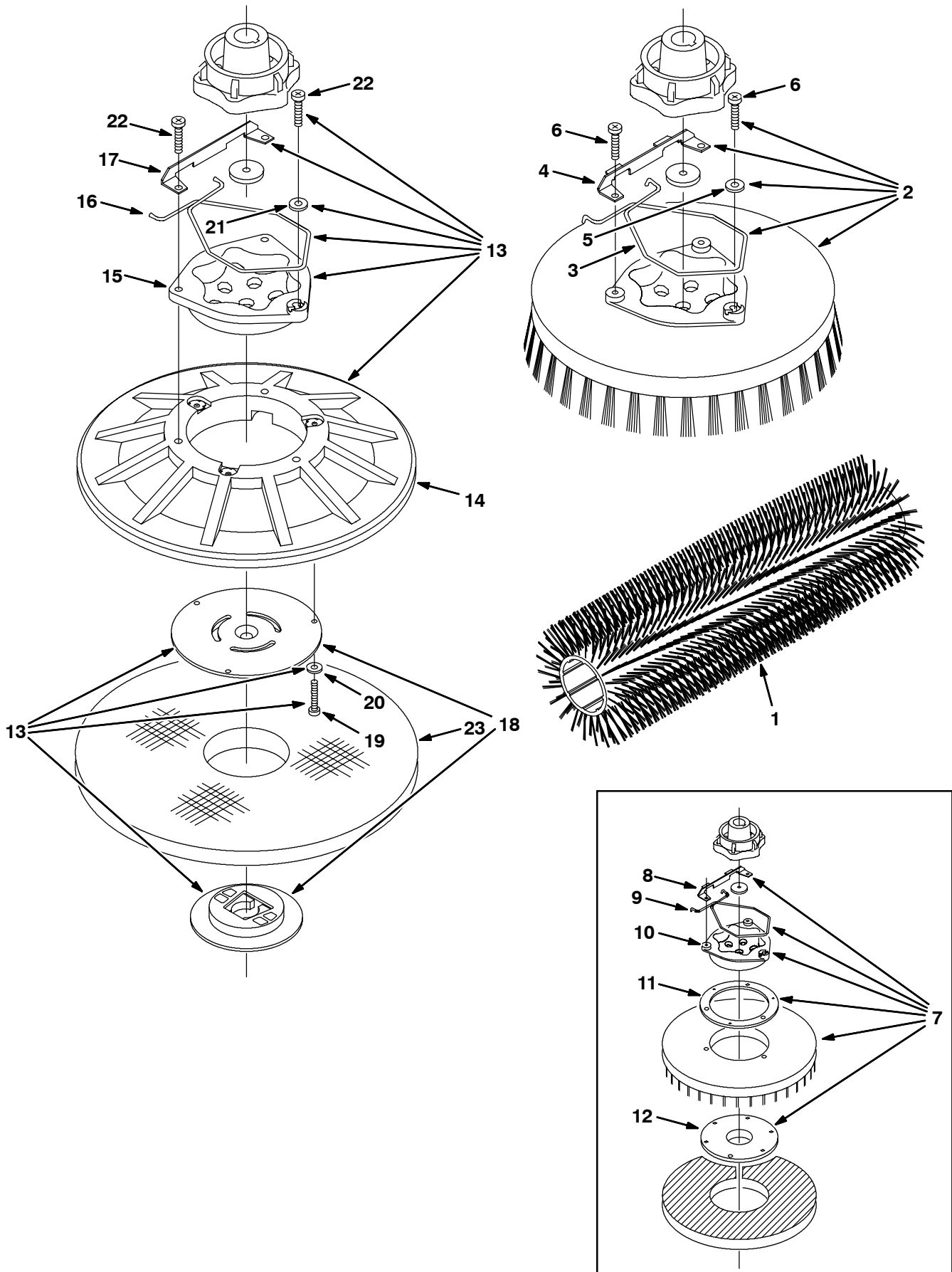


Fig. 4 - Brushes, Replacement, Model 900, 900 mm (36 in)

Ref.	Part No.	Serial Number	Description	Qty.
	1	222310	(000000-) Brush-Scr Grout 36"Lg 18Sr Poly	2
	1	374043	(000000-) Brush-Scrub 36"Lg 18Sr Poly	2
	1	222311	(000000-) Brush-Scrub 36"Lg 18Sr Nylon	2
	1	222312	(000000-) Brush-Scrub 36"Lg 18Sr Ab	2
▽	2	11773	(000000-) Brush-Disk Scr 18 D Assy Nylon	2
▲	3	14838	(000000-) Spring, Brush Retaining	1
▲	4	24299	(000000-) Bracket, Spring Retainer	1
▲	5	01684	(000000-) Washer, Flat, 0.25 Ss	1
▲	6	32746	(000000-) Screw, Pan, M6 X 1.0 X 35, Ss	3
▽	2	11771	(000000-) Brush-Disk Scr-18 D-Assy-Poly	2
▲	3	14838	(000000-) Spring, Brush Retaining	1
▲	4	24299	(000000-) Bracket, Spring Retainer	1
▲	5	01684	(000000-) Washer, Flat, 0.25 Ss	1
▲	6	32746	(000000-) Screw, Pan, M6 X 1.0 X 35, Ss	3
▽	2	11772	(000000-) Brush-Disk Scr-18 D Assy Ab	2
▲	3	14838	(000000-) Spring, Brush Retaining	1
▲	4	24299	(000000-) Bracket, Spring Retainer	1
▲	5	01684	(000000-) Washer, Flat, 0.25 Ss	1
▲	6	32746	(000000-) Screw, Pan, M6 X 1.0 X 35, Ss	3
▽	7	11776	(000000- xxxxxx) Driver, Pad 18 D Assy (Replaced by 370018)	2
▲	8	24299	(000000- xxxxxx) Bracket, Spring Retainer	1
▲	9	14838	(000000- xxxxxx) Spring, Brush Retaining	1
▲	10	15539	(000000- xxxxxx) Adaptor, Brush	1
▲	11	11218	(000000- xxxxxx) Spacer, Pad Holder	1
▲	12	19783	(000000- xxxxxx) Holder, Pad	1
▽	13	397918	(xxxxxx-) Driver, Pad 18 D Assy	2
▲	14	397978	(xxxxxx-) Back, Pad Drive W/Face 18 Dia.	1
▲	15	15539	(xxxxxx-) Adaptor, Brush	1
▲	16	14838	(xxxxxx-) Spring, Brush Retaining	1
▲	17	24299	(xxxxxx-) Bracket, Spring Retainer	1
▲	18	370095	(xxxxxx-) Centering Device, F/Pad Driver	1
▲	19	09198	(xxxxxx-) Scr Panssm 4X0.7 35	3
▲	20	41579	(xxxxxx-) Washer, Flat, #8, Ss	3
▲	21	01684	(xxxxxx-) Washer, Flat, 0.25 Ss	1
▲	22	32746	(xxxxxx-) Screw, Pan, M6 X 1.0 X 35, Ss	3
	23	11777	(000000-) Pad, Strip 18D Brown	2
	23	370093	(000000-) Pad, Strip-Hd 18D Black	2
	23	11778	(000000-) Pad, Scrub 18D Blue	2
	23	11780	(000000-) Pad, Buff 18D Red	2
	23	11781	(000000-) Pad, Polish 18D White	2

Fig. 5 - Main Frame and Drive Group

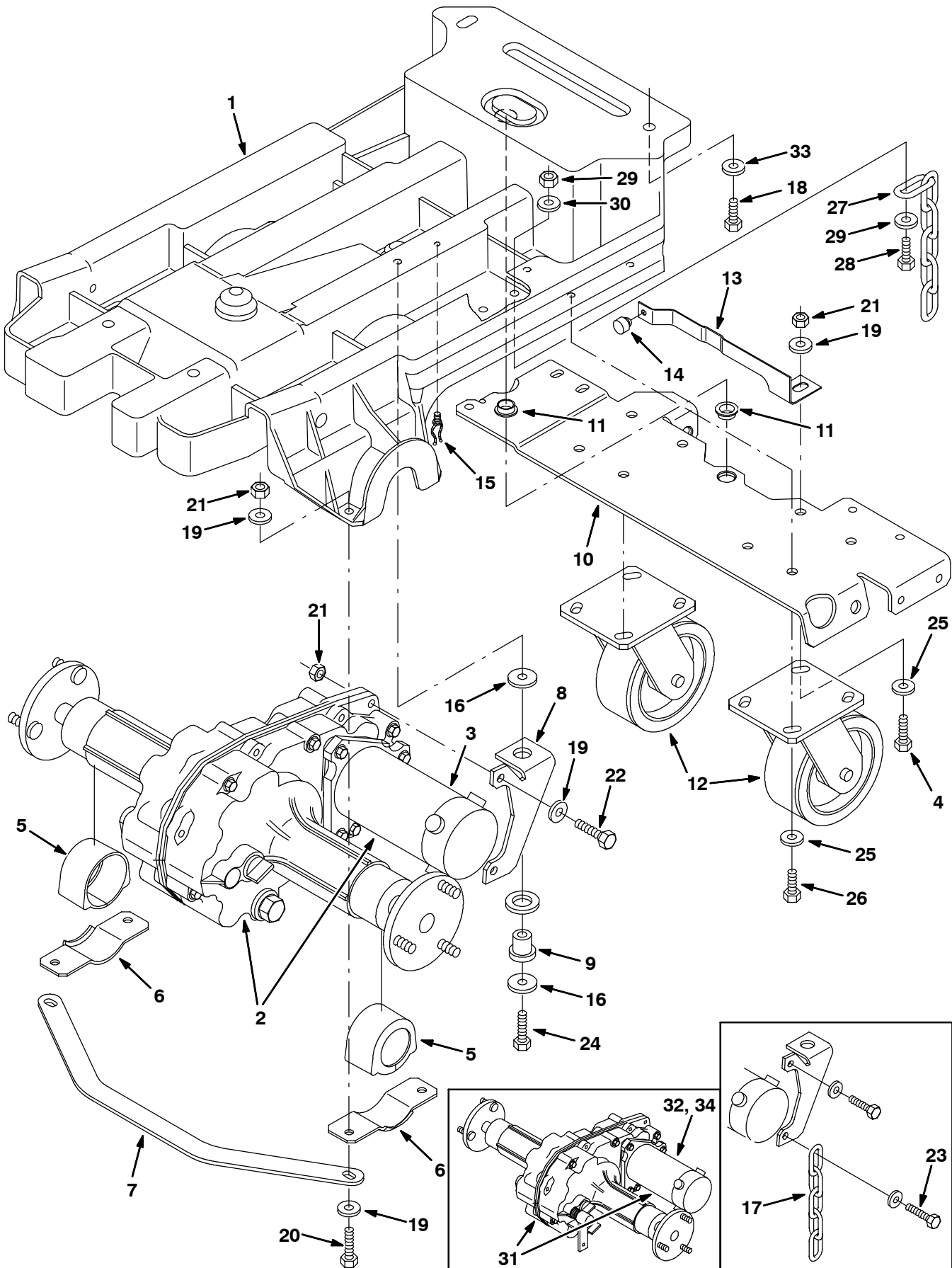


Fig. 5 - Main Frame and Drive Group

Ref.	Part No.	Serial Number	Description	Qty.
	1	398311	(000000-) Frame, Main	1
▽	2	397707AM	(018733-) Transaxle Assy, W/O Parking Brake (See Breakdowns)	1
▲	3	374265AM	(xxxxxx-) Motor, Ele, 36Vdc 0.50Hp 2000Rpm (See Breakdowns)	1
	4	09010	(000000-) Scr Hexssm 8X1.25 25	2
	5	222035	(000000-) Isolator, Transaxle	2
	6	222036	(000000-) Bracket, Mtg, Isolator	2
	7	222098	(000000-) Bracket, Support, Frame	1
	8	222039	(000000-) Bracket, Mtg, Transaxle	1
	9	54274	(000000-) Isolator-Vibration,125Lb.Ratng	1
	10	222085	(000000-) Bracket, Caster Pad	1
	11	04843	(000000-) Bearing, Flange .625 Bore	2
	12	222467	(000000-) Caster, 5.0 Dia Wheel	2
	13	222469AM	(000000-) Spring, Centering	1
	14	51787	(000000-) Bumper, Rubber	1
	15	30406	(000000-) Clip, Keeper, St	1
	16	1014563	(000000-) Washer, Flt, 0.40b 1.12d .12, Ss	2
	17	222842	(000000-012766) Chain,Static, Brass	1
	18	12273	(000000-) Scr-Hexssm 8X1.25 20 Nyloloc	4
	19	01685	(000000-) Washer, Flat, 0.38b 0.88d .08, Ss	8
	20	09011	(000000-) Scr Hexssm 8X1.25 30	4
	21	08713	(000000-) Nut-Hxlocnyln M 8X1.25 Reg Ss	8
	22	09026	(000000-) Scr Hexssm 8X1.25 40	2
	23	222505	(000000-012766) Scr Hexssm 8X1.25 45	1
	24	59658	(000000-) Scr Hexssm 8X1.25 35 Nylonloc	1
	25	41186	(000000-) Washer, Bellville .31 Pltd	8
	26	12333	(000000-) Scr-Hexssm 8X1.25 25 Nylonloc	6
	27	43500	(012767-) Chain, Coil, Str, #210, 09.0L 07 Link	1
	28	09010	(012767-) Scr Hexssm 8X1.25 25	1
	29	01685	(012767-) Washer, Flat, 0.38b 0.88d .08, Ss	2
	30	08713	(012767-) Nut-Hxlocnyln M 8X1.25 Reg Ss	1
▽	31	222037AM	(000000-018732) Transaxle Assy, W/Parking Brake (See Breakdowns)	1
▲	32	222371	(000000-018732) Motor,Elec 0.5Hp36V.Dc,2000Rpm (See Breakdowns)	1
	33	1017218	(000000-) Washer, Flt, 0.321b 1.00d .12, Ss	8
	34	222371	(018733-xxxxxx) Motor, Ele, 36Vdc 0.50Hp 1900Rpm (Replaced by 374265) (See Brealdowns)	1

Fig. 6 - Tire and Rim Assembly, Black

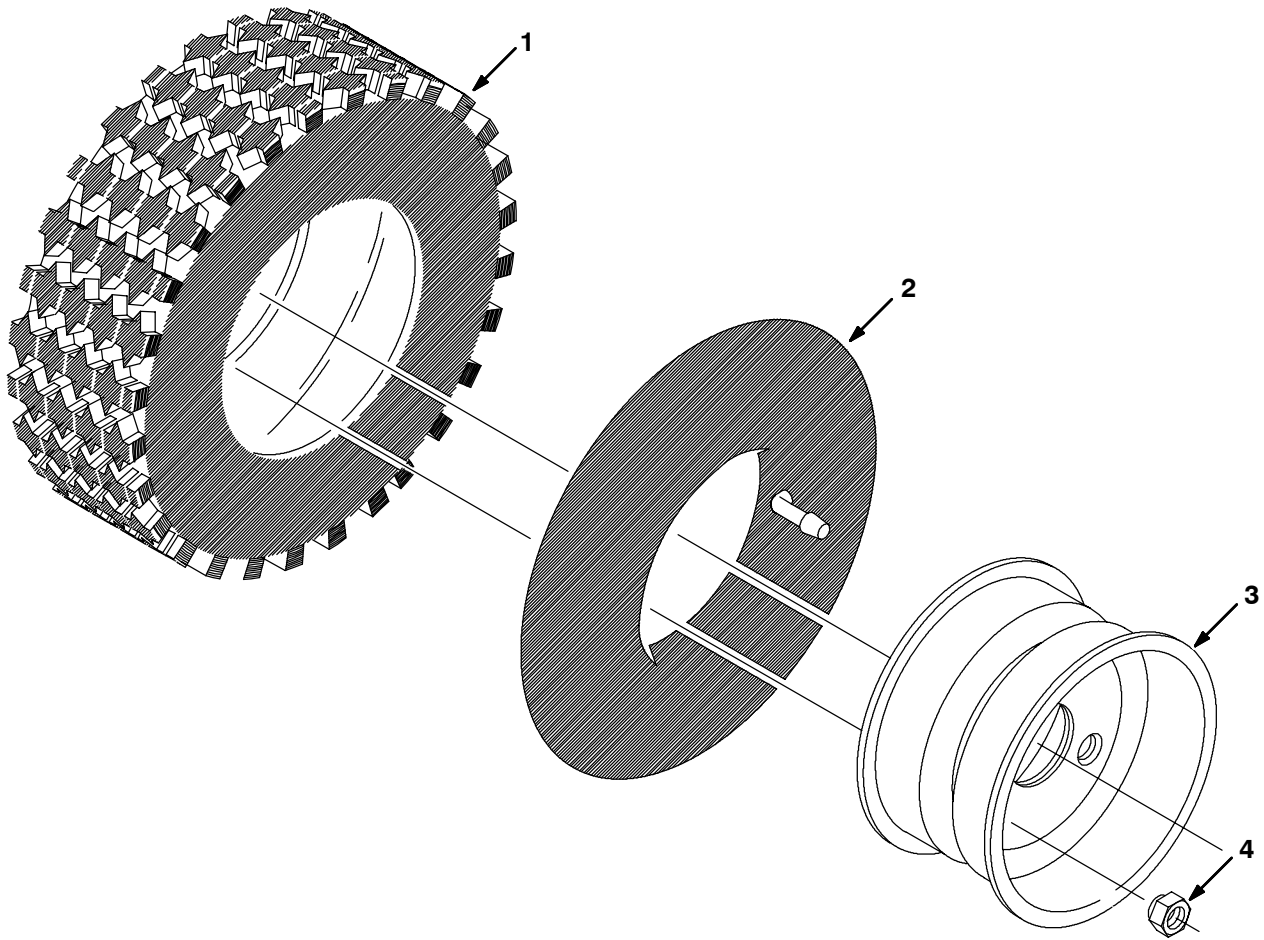


Fig. 6 - Tire and Rim Assembly, Black

	Ref.	Part No.	Serial Number	Description	Qty.
▽		78572	(000000-) Tire and Rim Assembly, Black	2
▲	1	374049	(000000-) Tire, 4.10/3.5-6, Black	1
▲	2	04658	(000000-) Tube, Inner	1
▲	3	04657	(000000-) Rim	1
	4	11109	(000000-) Nut, Wheel	6

Fig. 7 - Scrub Head Lift Group

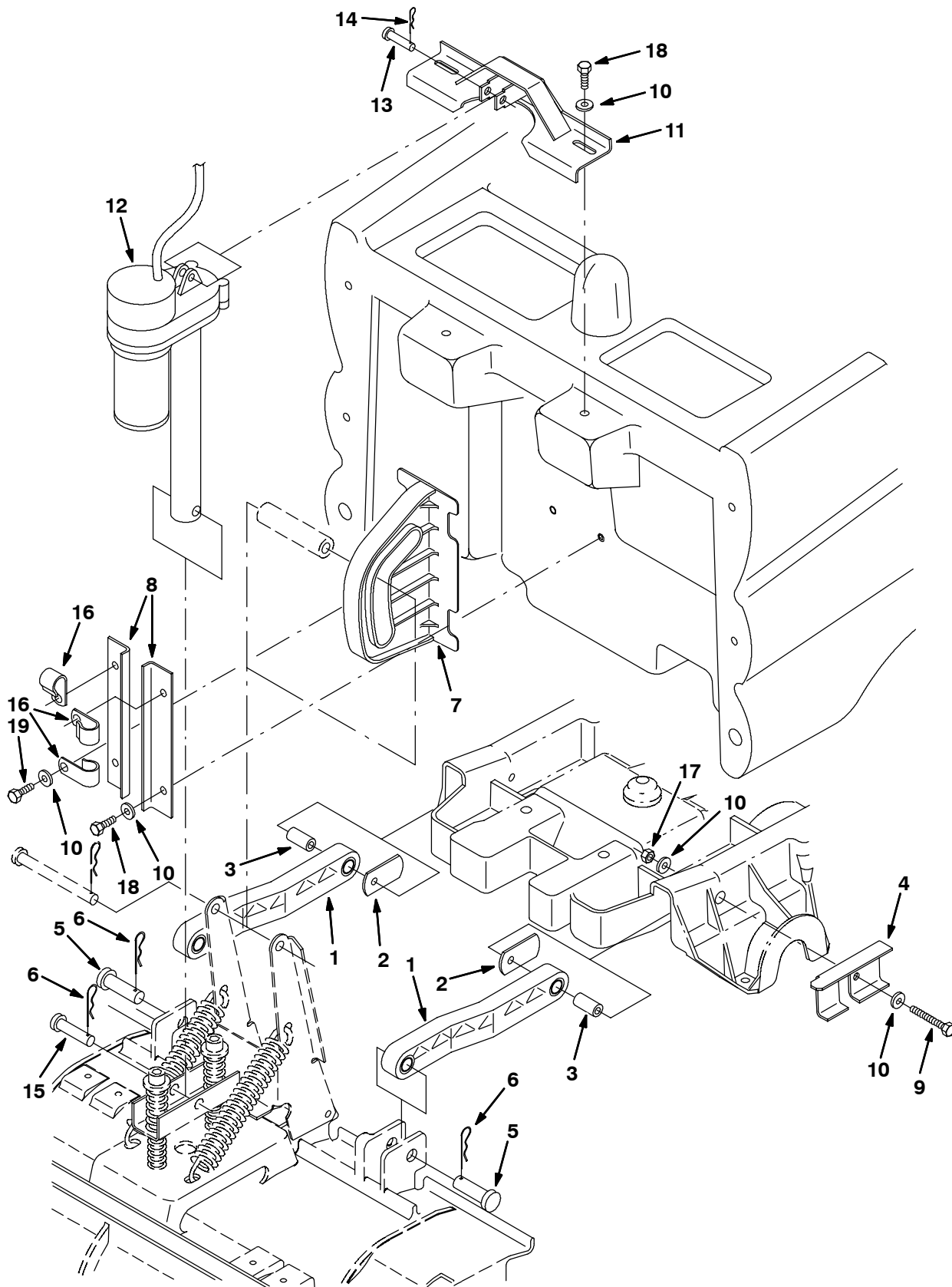


Fig. 7 - Scrub Head Lift Group

Ref.	Part No.	Serial Number	Description	Qty.
1	222027	(000000-) Arm, Lift, Head	2
2	222099	(000000-) Spacer, Lift Arm	2
3	222028	(000000-) Sleeve, .344B .62D1.3 Bronze	2
4	222488	(000000-) Bracket, Tank Support	1
5	222210	(000000-) Pin, Clevis, 0.62 Dia X 2.00Lg	2
6	02942	(000000-) Pin,Hair Cotter .12Wire 2.37SI	3
7	222034	(000000-) Bracket, Guide, Roller	1
8	222054	(000000-) Bracket, Roller Guide	2
9	222504	(000000-) Scr Hexssm 8X1.25 55	2
10	01685	(000000-) Washer, Flat, 0.38b 0.88d .08, Ss	9
11	222051	(000000-) Bracket, Mounting, Actuator	1
12	222110	(000000-) Replm Kit, Actuator	1
13	29558	(000000-) Pin,Clevis,0.37 Dia.X 1.50 Lg	1
14	86866	(000000-) Pin, Hair Cotter .375D .072Wir	1
15	51534	(000000-) Pin,Clevis,0.50 Dia.X 2.00 Lg	1
16	30407	(000000-) Clip, Keeper, Open	3
17	08713	(000000-) Nut-Hxlocnyln M 8X1.25 Reg Ss	2
18	09740	(000000-) Scr-Hexssm 8X1.25 20	6
19	49826	(000000-) Scr-Hexssm 8X1.25 16 Nylon Loc	1

STANDARD PARTS

Fig. 8 - Scrub Head Kit, Model 700D, 700 mm (28 in)

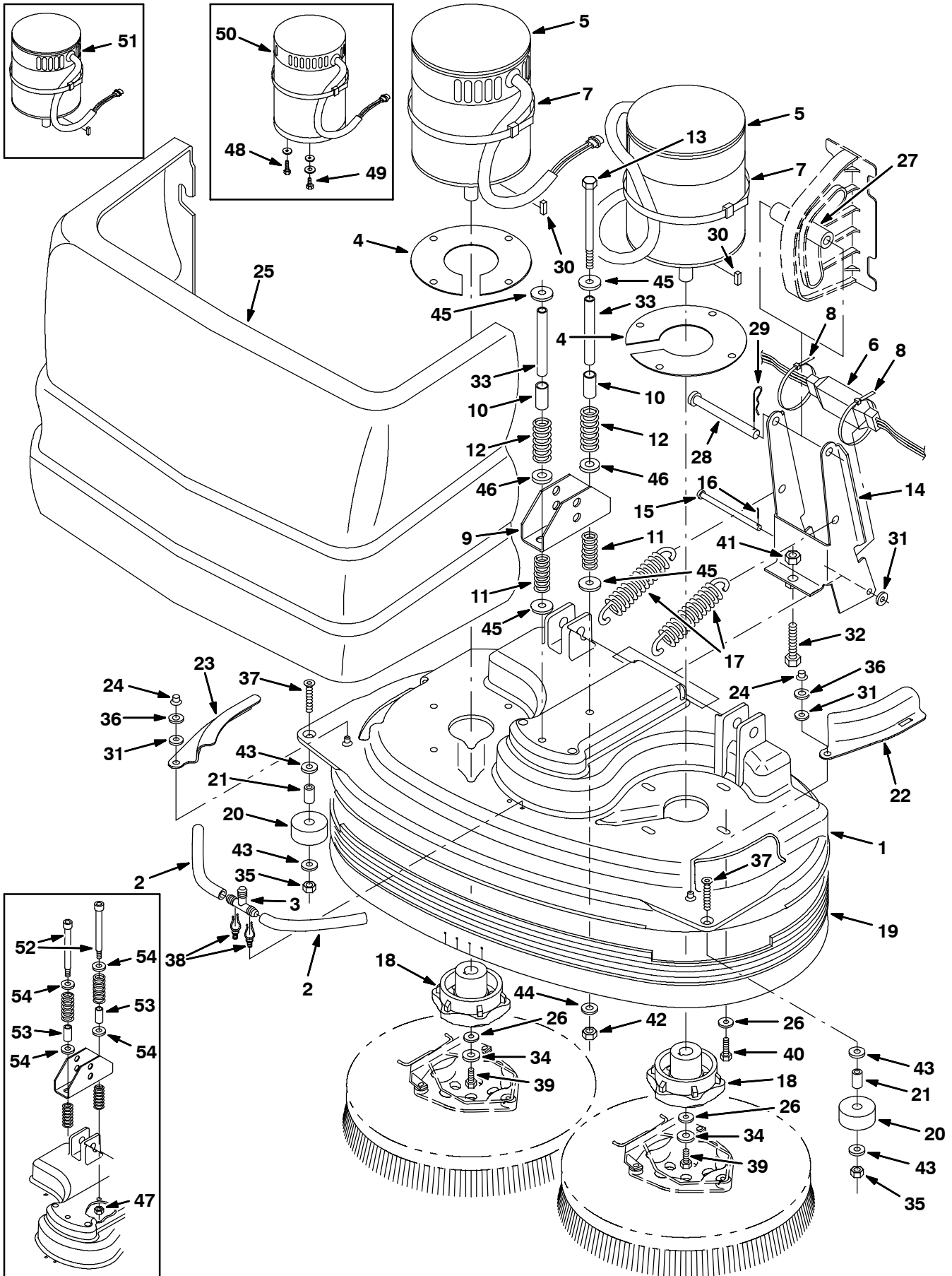


Fig. 8 - Scrub Head Kit, Model 700D, 700 mm (28 in)

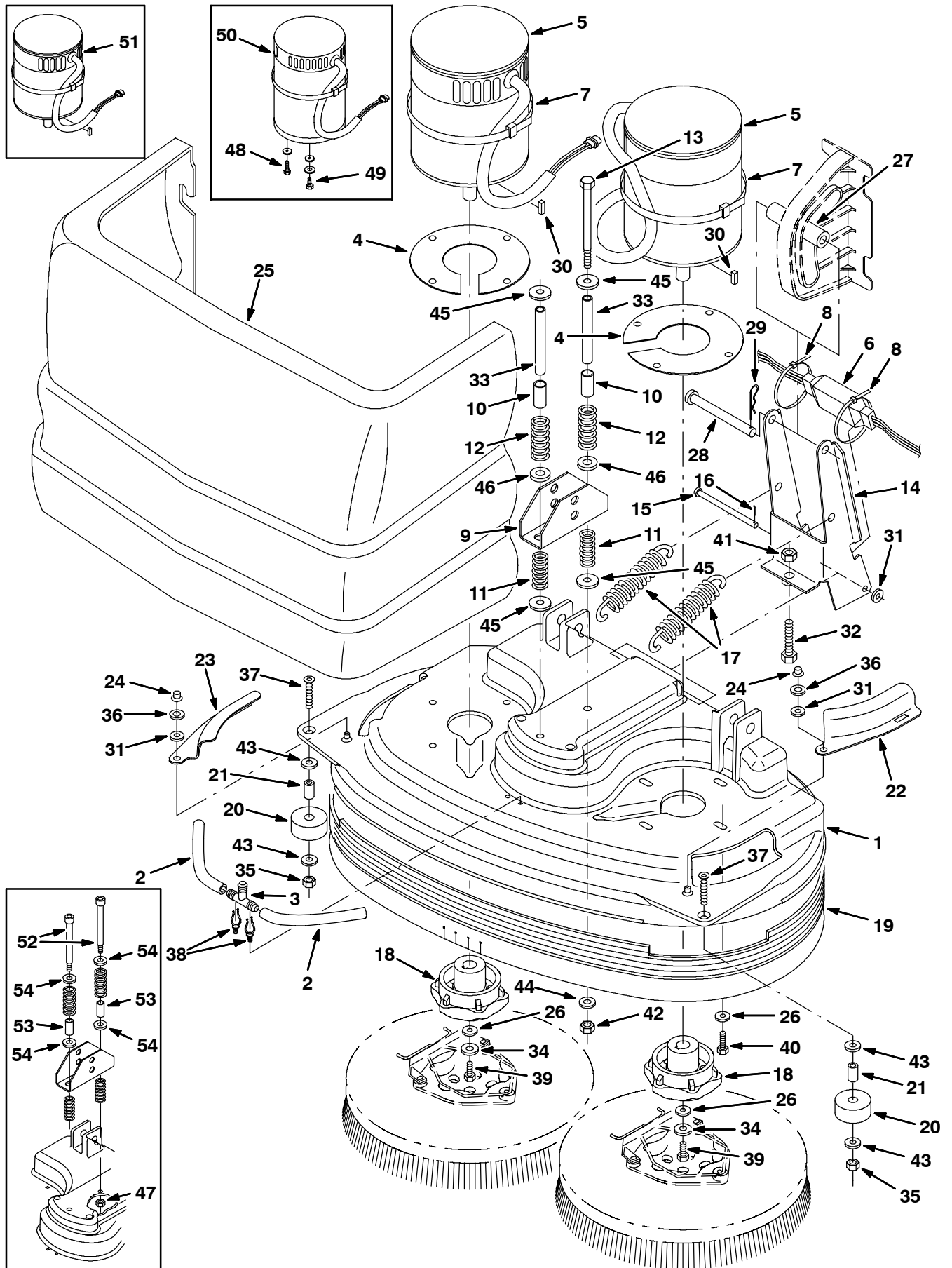
Ref.	Part No.	Serial Number	Description	Qty.
▽	222012	(000000-) Scrub Head Kit 700D 5700	1
▲	1 222221	(000000-) Cover, Scrub Head 28 Disk	1
▲	2 222535	(000000-) Hose, Vinyl .38Id .56Od 8.0L	2
▲	3 222536	(000000-) Fitting-Plastic Tee 06Bm/06Bm/	1
▲	4 222440	(000000-) Gasket, End Bell	2
▲	5 377440AM	(022500-) Motor, Ele, 36vdc 0.50hp 0320rpm 15.0a (See Break-downs)	2
▲	6 222836	(000000-) Harness, Wire, Disk Head, Elec	1
▲	7 44961	(000000-) Tie, Cable 4.00 Max 14.50Lg	4
▲	8 49263	(000000-) Tie Cable 3.00D Max 11.41Lg	2
▲	9 1012088	(000000-) Bracket, Mtg, Spring	1
▲	10 140148	(025365-) Sleeve, P/M, 0.50b 0.63d 1.4l, Stl Pl	2
▲	11 63185	(000000-) Spring,Comp,.84Odx.10Wire 2.0L	2
▲	12 45261	(000000-) Sprng,Comp,0.74ldx.11Wire 2.5L	2
▲	13 20178	(025365-) Screw, Hex, .38-16 X 5.50, G5	2
▲	14 222838	(000000-) Bracket, Pivot	1
▲	15 222207	(000000-) Pin, Clevis, 0.31Dia X4.5Lg	1
▲	16 08346	(000000-) Pin, Cotter .125X0.75	1
▲	17 222363	(000000-) Spring, Tension	2
▲	18 377364	(000000-) Hub, Drive, Brush, Disk, 0.75b 6t	2
▲	19 222430	(000000-) Skirt Assy, Disk Head, 28"	1
▲	20 222403	(000000-) Wheel, 2.0 Dia	2
▲	21 222496	(000000-) Sleeve	2
▲	22 222404	(000000-) Door, Scrub Head, Lh	1
▲	23 222405	(000000-) Door, Scrub Head, Rh	1
▲	24 59849	(000000-) Nut, Retainer R/.312 Dia	2
▲	25 397793	(000000-) Cover, Front, Trim, [5700 Disk]	1
▲	26 41186	(000000-) Washer-Belleville .31 Pltd	10
▲	27 222055	(000000-) Roller, Linkage, Head	1
▲	28 222197	(000000-) Pin, Clevis 0.50 Dia X 4.75Lg	1
▲	29 02942	(000000-) Pin,Hair Cotter .12Wire 2.37Sl	1
▲	30 00926	(xxxxxx-) Key, Square 0.25 0.25 0.75Lg	2
▲	31 01685	(000000-) Washer, Flat, 0.38b 0.88d .08, Ss	3
▲	32 05720	(000000-) Scr-Hexssm10X1.5 40 Full Thd	1
▲	33 1029426	(025365-) Tube, Rnd, 0.40id 0.50od 04.3l, Ss	2
▲	34 01686	(000000-) Washer Flt .38 Ss	2
▲	35 08713	(000000-) Nut-Hxlocnyln M 8X1.25 Reg Ss	2
▲	36 32713	(000000-) Washer, .406B .81D .09Ureth	2
▲	37 33943	(000000-) Scr-Flt M8 X 1.25 40	2
▲	38 30406	(000000-) Clip, Keeper, St	2
▲	39 09740	(xxxxxx-) Scr Hexss M8 X 1.25 20	2
▲	40 09007	(xxxxxx-) Scr Hexss M6 X 1.0 25	8
▲	41 39312	(000000-) Nut, Hex, Std, M10 X 1.5	1
▲	42 59156	(025365-) Nut, Hex, Lock, .38-16, NI, Ss	2
▲	43 32490	(000000-) Washer, Flat, 0.25 Std	4
▲	44 01685	(025365-) Washer, Flat, 0.38b 0.88d .08, Ss	2
▲	45 32662	(025365-) Washer, Flat, 0.38b 1.22d .06, Ss	4
▲	46 32486	(025365-) Washer, Flt .50 SAE	2

STANDARD PARTS

Fig. 8 - Scrub Head Kit, Model 700D, 700 mm (28 in)

Ref.	Part No.	Serial Number	Description	Qty.
47	36643	(000000-025364)	Nut, Hex, Lock, .38-16, NI, Thin	2
48	01698	(000000- xxxxxx)	Scr Hexss.25-20X1.00	8
49	02991	(000000- xxxxxx)	Scr Hexss.31-18X0.75	2
50	222490	(000000- xxxxxx)	Motor Assy, Elec, (Replaced by 374002) (See Breakdowns)	2
51	222806	(xxxxxx-022499)	Motor Assy, Elec, (Replaced by 377440) (See Breakdowns)	2
52	9002024	(000000-025364)	Bolt Kit, Shld, F/ 45960, Replmt	2
53	50682	(000000-025364)	Sleeve, .500B .62D1.31 Stl	2
54	32486	(000000-025364)	Washer, Flt .50 SAE	4

Fig. 9 - Scrub Head Kit, Model 800D, 800 mm (32 in)



STANDARD PARTS

10440 - 5700, XP, 32in, NA, JP

Fig. 9 - Scrub Head Kit, Model 800D, 800 mm (32 in)

Ref.	Part No.	Serial Number	Description	Qty.
▽		222013	(000000-) Scrub Head Kit 800D 5700	1
▲	1	222222	(000000-) Cover, Scrub Head 32 Disk	1
▲	2	222535	(000000-) Hose, Vinyl .38Id .56Od 8.0L	2
▲	3	222536	(000000-) Fitting-Plastic Tee 06Bm/06Bm/	1
▲	4	222440	(000000-) Gasket, End Bell	2
▲	5	377440AM	(022500-) Motor, Ele, 36vdc 0.50hp 0320rpm 15.0a (See Break-downs)	2
▲	6	222836	(000000-) Harness, Wire, Disk Head, Elec	1
▲	7	44961	(000000-) Tie, Cable 4.00 Max 14.50Lg	4
▲	8	49263	(000000-) Tie Cable 3.00D Max 11.41Lg	2
▲	9	1012088	(000000-) Bracket, Mtg, Spring	1
▲	10	140148	(025365-) Sleeve, P/M, 0.50b 0.63d 1.4l, Stl Pl	2
▲	11	63185	(000000-) Spring,Comp,.84Odx.10Wire 2.0L	2
▲	12	45261	(000000-) Sprng,Comp,0.74ldx.11Wire 2.5L	2
▲	13	20178	(025365-) Screw, Hex, .38-16 X 5.50, G5	2
▲	14	222838	(000000-) Bracket, Pivot	1
▲	15	222207	(000000-) Pin, Clevis, 0.31Dia X4.5Lg	1
▲	16	08346	(000000-) Pin, Cotter .125X0.75	1
▲	17	222363	(000000-) Spring, Tension	2
▲	18	377364	(000000-) Hub, Drive, Brush, Disk, 0.75b 6t	2
▲	19	222431	(000000-) Skirt Assy, Disk Head, 32"	1
▲	20	222403	(000000-) Wheel, 2.0 Dia	2
▲	21	222496	(000000-) Sleeve	2
▲	22	222404	(000000-) Door, Scrub Head, Lh	1
▲	23	222405	(000000-) Door, Scrub Head, Rh	1
▲	24	59849	(000000-) Nut, Retainer R/.312 Dia	2
▲	25	397793	(000000-) Cover, Front, Trim, [5700 Disk]	1
▲	26	41186	(000000-) Washer-Belleville .31 Pltd	10
▲	27	222055	(000000-) Roller, Linkage, Head	1
▲	28	222197	(000000-) Pin, Clevis 0.50 Dia X 4.75Lg	1
▲	29	02942	(000000-) Pin,Hair Cotter .12Wire 2.37Sl	1
▲	30	00926	(xxxxxx-) Key, Square 0.25 0.25 0.75Lg	2
▲	31	01685	(000000-) Washer, Flat, 0.38b 0.88d .08, Ss	3
▲	32	05720	(000000-) Scr-Hexssm10X1.5 40 Full Thd	1
▲	33	1029426	(025365-) Tube, Rnd, 0.40id 0.50od 04.3l, Ss	2
▲	34	01686	(000000-) Washer Flt .38 Ss	2
▲	35	08713	(000000-) Nut-Hxlocnyln M 8X1.25 Reg Ss	2
▲	36	32713	(000000-) Washer, .406B .81D .09Ureth	2
▲	37	33943	(000000-) Scr-Flt M8 X 1.25 40	2
▲	38	30406	(000000-) Clip, Keeper, St	2
▲	39	09740	(xxxxxx-) Scr Hexss M8 X 1.25 20	2
▲	40	09007	(xxxxxx-) Scr Hexss M6 X 1.0 25	8
▲	41	39312	(000000-) Nut, Hex, Std, M10 X 1.5	1
▲	42	59156	(025365-) Nut, Hex, Lock, .38-16, NI, Ss	2
▲	43	32490	(000000-) Washer, Flat, 0.25 Std	4
▲	44	01685	(025365-) Washer, Flat, 0.38b 0.88d .08, Ss	2
▲	45	32662	(025365-) Washer, Flat, 0.38b 1.22d .06, Ss	4
▲	46	32486	(025365-) Washer, Flt .50 SAE	2

Fig. 9 - Scrub Head Kit, Model 800D, 800 mm (32 in)

Ref.	Part No.	Serial Number	Description	Qty.
47	36643	(000000-025364)	Nut, Hex, Lock, .38-16, NI, Thin	2
48	01698	(000000- xxxxxx)	Scr Hexss.25-20X1.00	8
49	02991	(000000- xxxxxx)	Scr Hexss.31-18X0.75	2
50	222490	(000000- xxxxxx)	Motor Assy, Elec, (Replaced by 374002) (See Breakdowns)	2
51	222806	(xxxxxx-022499)	Motor Assy, Elec, (Replaced by 377440) (See Breakdowns)	2
52	9002024	(000000-025364)	Bolt Kit, Shld, F/ 45960, Replmt	2
53	50682	(000000-025364)	Sleeve, .500B .62D1.31 Stl	2
54	32486	(000000-025364)	Washer, Flt .50 SAE	4

STANDARD PARTS

Fig. 10 - Scrub Head Kit, Model 900D, 900 mm (36 in)

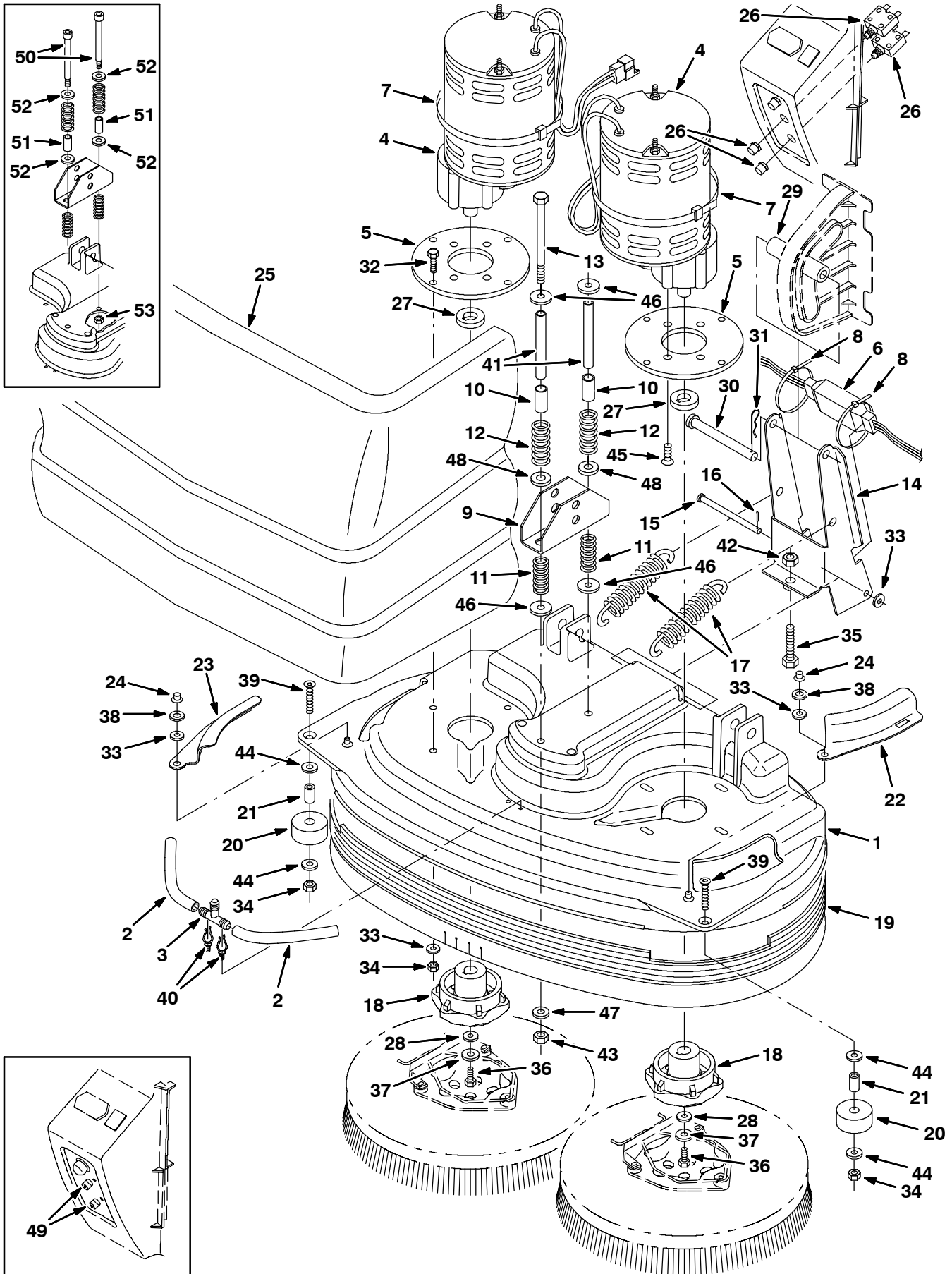


Fig. 10 - Scrub Head Kit, Model 900D, 900 mm (36 in)

Ref.	Part No.	Serial Number	Description	Qty.
▽	222014	(000000-) Scrub Head Kit 900D 5700	1
▲	1 222223	(000000-) Cover, Scrub Head 36 Disk	1
▲	2 222535	(000000-) Hose, Vinyl .38Id .56Od 8.0L	2
▲	3 222536	(000000-) Fitting-Plastic Tee 06Bm/06Bm/	1
▲	4 222255AM	(000000-) Motor, Gear, 1.0Hp 36V (See Breakdowns)	2
▲	5 222053	(000000-) Plate, Adaptor, Motor	2
▲	6 222837	(000000-) Harness, Wire, Disk Head, Elec	1
▲	7 44961	(000000-) Tie, Cable 4.00 Max 14.50Lg	6
▲	8 49263	(000000-) Tie Cable 3.00D Max 11.41Lg	2
▲	9 1012088	(000000-) Bracket, Mtg, Spring	1
▲	10 140148	(025365-) Sleeve, P/M, 0.50b 0.63d 1.4l, Stl Pl	2
▲	11 63185	(000000-) Spring,Comp,.84Odx.10Wire 2.0L	2
▲	12 45261	(000000-) Sprng,Comp,0.74ldx.11Wire 2.5L	2
▲	13 20178	(025365-) Screw, Hex, .38-16 X 5.50, G5	2
▲	14 222838	(000000-) Bracket, Pivot	1
▲	15 222207	(000000-) Pin, Clevis, 0.31Dia X4.5Lg	1
▲	16 08346	(000000-) Pin, Cotter .125X0.75	1
▲	17 222363	(000000-) Spring, Tension	2
▲	18 377364	(000000-) Hub, Drive, Brush, Disk, 0.75b 6t	2
▲	19 222432	(000000-) Skirt, Assy, Disk Head 36	1
▲	20 222403	(000000-) Wheel, 2.0 Dia	2
▲	21 222496	(000000-) Sleeve	2
▲	22 222404	(000000-) Door, Scrub Head, Lh	1
▲	23 222405	(000000-) Door, Scrub Head, Rh	1
▲	24 59849	(000000-) Nut, Retainer R/.312 Dia	2
▲	25 397793	(000000-) Cover, Front, Trim, [5700 Disk]	1
▲	26 383726	(017946-) Breaker, Circuit, 35Amp	2
▲	27 222067	(000000-) Ring, Spacer	2
▲	28 41186	(000000-) Washer-Belleville .31 Pltd	2
▲	29 222055	(000000-) Roller, Linkage, Head	1
▲	30 222197	(000000-) Pin, Clevis 0.50 Dia X 4.75Lg	1
▲	31 02942	(000000-) Pin,Hair Cotter .12Wire 2.37Sl	1
▲	32 09011	(000000-) Scr Hexssm 8X1.25 30	8
▲	33 01685	(000000-) Washer, Flat, 0.38b 0.88d .08, Ss	11
▲	34 08713	(000000-) Nut-Hxlocnyln M 8X1.25 Reg Ss	10
▲	35 05720	(000000-) Scr-Hexssm10X1.5 40 Full Thd	1
▲	36 02993	(000000-) Scr-Hex .31-18X1.50 Ss	2
▲	37 01686	(000000-) Washer Flt .38 Ss	2
▲	38 32713	(000000-) Washer, .406B .81D .09Ureth	2
▲	39 33943	(000000-) Scr-Flt M8 X 1.25 40	2
▲	40 30406	(000000-) Clip, Keeper, St	2
▲	41 1029426	(025365-) Tube, Rnd, 0.40id 0.50od 04.3l, Ss	2
▲	42 39312	(000000-) Nut, Hex, Std, M10 X 1.5	1
▲	43 59156	(025365-) Nut, Hex, Lock, .38-16, NI, Ss	2
▲	44 32490	(000000-) Washer, Flat, 0.25 Std	4
▲	45 48996	(000000-) Screw, Flt, .38-16 X 0.75, Al	8
▲	46 32662	(025365-) Washer, Flat, 0.38b 1.22d .06, Ss	4
▲	47 01685	(025365-) Washer, Flat, 0.38b 0.88d .08, Ss	2
▲	48 32486	(025365-) Washer, Flt .50 SAE	2
▲	49 222299	(000000-017945)) Breaker, Circuit, 35Amp	2
	50 9002024	(000000-025364)) Bolt Kit, Shld, F/ 45960, Replmt	2
	51 50682	(000000-025364)) Sleeve, .500B .62D1.31 Stl	2
	52 32486	(000000-025364)) Washer, Flt .50 SAE	4
	53 36643	(000000-025364)) Nut, Hex, Lock, .38-16, NI, Thin	2

STANDARD PARTS

Fig. 11 - Scrub Head Kit, Model 800D Heavy Duty, 800 mm (32 in)

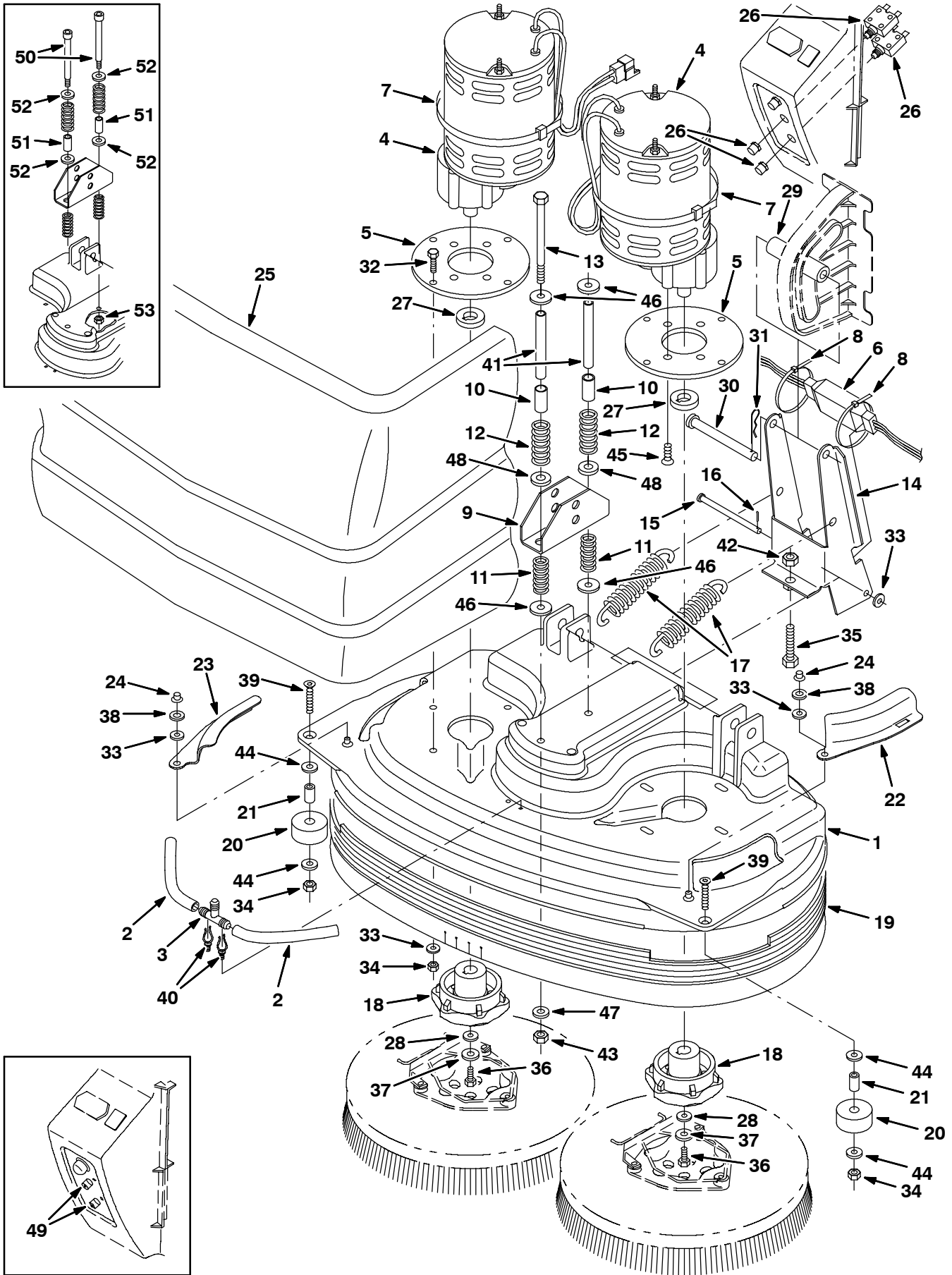


Fig. 11 - Scrub Head Kit, Model 800D Heavy Duty, 800 mm (32 in)

Ref.	Part No.	Serial Number	Description	Qty.
▽		222022	(000000-) Scrub Head Kit Hd 800D5700	1
▲	1	222222	(000000-) Cover, Scrub Head 32 Disk	1
▲	2	222535	(000000-) Hose, Vinyl .38Id .56Od 8.0L	2
▲	3	222536	(000000-) Fitting-Plastic Tee 06Bm/06Bm/	1
▲	4	222255AM	(000000-) Motor, Gear, 1.0Hp 36V (See Breakdowns)	2
▲	5	222053	(000000-) Plate, Adaptor, Motor	2
▲	6	222837	(000000-) Harness, Wire, Disk Head, Elec	1
▲	7	44961	(000000-) Tie, Cable 4.00 Max 14.50Lg	6
▲	8	49263	(000000-) Tie Cable 3.00D Max 11.41Lg	2
▲	9	1012088	(000000-) Bracket, Mtg, Spring	1
▲	10	140148	(025365-) Sleeve, P/M, 0.50b 0.63d 1.4l, Stl Pl	2
▲	11	63185	(000000-) Spring,Comp.,.84Odx.10Wire 2.0L	2
▲	12	45261	(000000-) Sprng,Comp,0.74ldx.11Wire 2.5L	2
▲	13	20178	(025365-) Screw, Hex, .38-16 X 5.50, G5	2
▲	14	222838	(000000-) Bracket, Pivot	1
▲	15	222207	(000000-) Pin, Clevis, 0.31Dia X4.5Lg	1
▲	16	08346	(000000-) Pin, Cotter .125X0.75	1
▲	17	222363	(000000-) Spring, Tension	2
▲	18	377364	(000000-) Hub, Drive, Brush, Disk, 0.75b 6t	2
▲	19	222431	(000000-) Skirt Assy, Disk Head, 32"	1
▲	20	222403	(000000-) Wheel, 2.0 Dia	2
▲	21	222496	(000000-) Sleeve	2
▲	22	222404	(000000-) Door, Scrub Head, Lh	1
▲	23	222405	(000000-) Door, Scrub Head, Rh	1
▲	24	59849	(000000-) Nut, Retainer R/.312 Dia	2
▲	25	397793	(000000-) Cover, Front, Trim, [5700 Disk]	1
▲	26	383726	(017946-) Breaker, Circuit, 35Amp	2
▲	27	222067	(000000-) Ring, Spacer	2
▲	28	41186	(000000-) Washer-Belleville .31 Pltd	2
▲	29	222055	(000000-) Roller, Linkage, Head	1
▲	30	222197	(000000-) Pin, Clevis 0.50 Dia X 4.75Lg	1
▲	31	02942	(000000-) Pin,Hair Cotter .12Wire 2.37Sl	1
▲	32	09011	(000000-) Scr Hexssm 8X1.25 30	8
▲	33	01685	(000000-) Washer, Flat, 0.38b 0.88d .08, Ss	11
▲	34	08713	(000000-) Nut-Hxlocnyln M 8X1.25 Reg Ss	10
▲	35	05720	(000000-) Scr-Hexssm10X1.5 40 Full Thd	1
▲	36	02993	(000000-) Scr-Hex .31-18X1.50 Ss	2
▲	37	01686	(000000-) Washer Flt .38 Ss	2
▲	38	32713	(000000-) Washer, .406B .81D .09Ureth	2
▲	39	33943	(000000-) Scr-Flt M8 X 1.25 40	2
▲	40	30406	(000000-) Clip, Keeper, St	2
▲	41	1029426	(025365-) Tube, Rnd, 0.40id 0.50od 04.3l, Ss	2
▲	42	39312	(000000-) Nut, Hex, Std, M10 X 1.5	1
▲	43	59156	(025365-) Nut, Hex, Lock, .38-16, NI, Ss	2
▲	44	32490	(000000-) Washer, Flat, 0.25 Std	4
▲	45	48996	(000000-) Screw, Flt, .38-16 X 0.75, Al	8
▲	46	32662	(025365-) Washer, Flat, 0.38b 1.22d .06, Ss	4
▲	47	01685	(025365-) Washer, Flat, 0.38b 0.88d .08, Ss	2
▲	48	32486	(025365-) Washer, Flt .50 SAE	2
▲	49	222299	(000000-017945) Breaker, Circuit, 35Amp	2
	50	9002024	(000000-025364) Bolt Kit, Shld, F/ 45960, Replmt	2
	51	50682	(000000-025364) Sleeve, .500B .62D1.31 Stl	2
	52	32486	(000000-025364) Washer, Flt .50 SAE	4
	53	36643	(000000-025364) Nut, Hex, Lock, .38-16, NI, Thin	2

STANDARD PARTS

Fig. 12 - Scrub Head Drive Group, Model 700C, 700 mm (28 in)

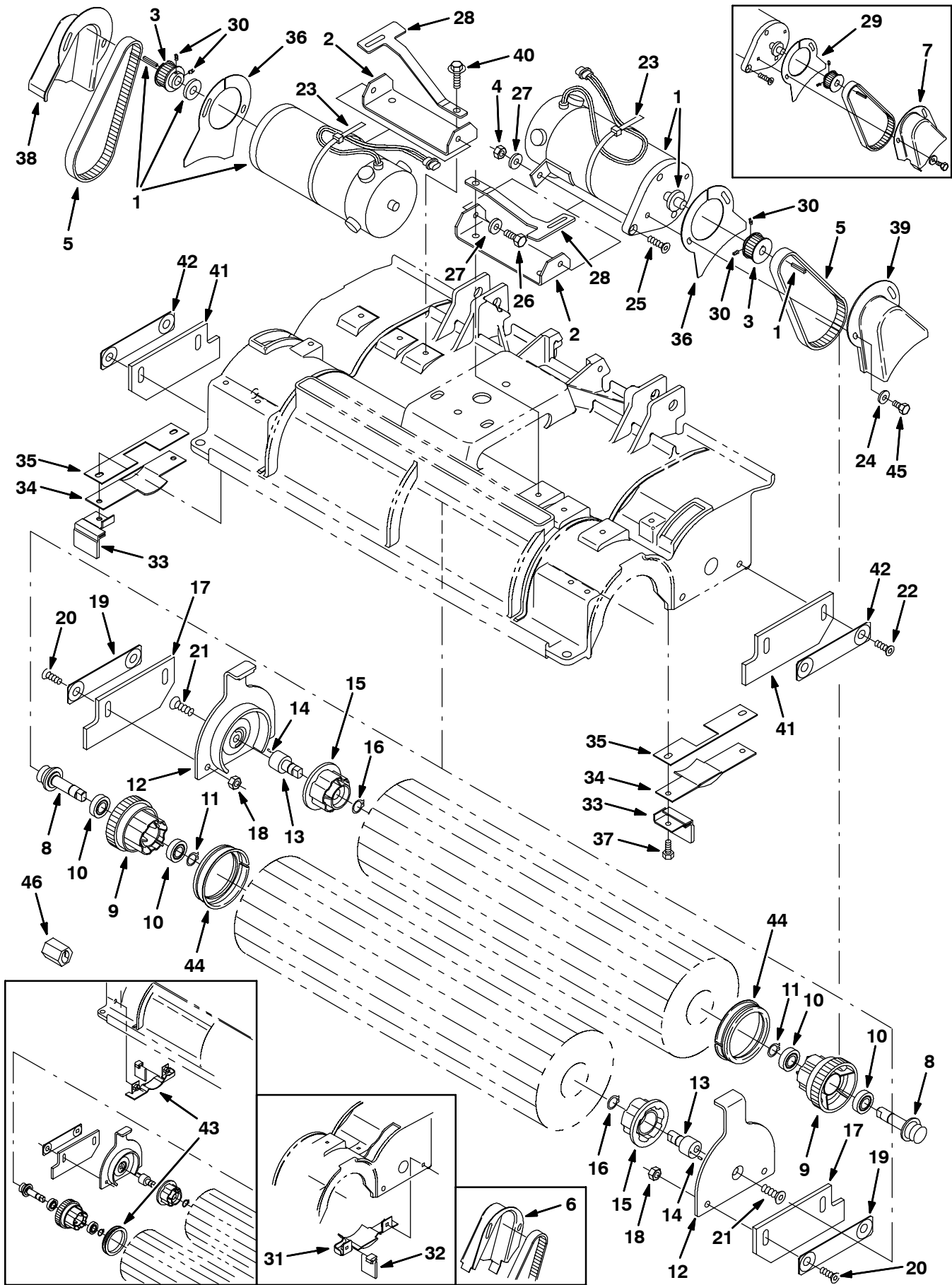


Fig. 12 - Scrub Head Drive Group, Model 700C, 700 mm (28 in)

NOTE: Scrub Head Kit, Tennant Part Number 222015, includes Fig. 12, and Fig. 13.

Ref.	Part No.	Serial Number	Description	Qty.	
1	222753	(000000-018380)	Motor, .75 Hp, 36V, 1700Rpm (See Breakdowns)	2	
1	375175AM	(018381-	Motor Assy, Ele, 36V, 0.75Hp, 1700Rpm (See Breakdowns)	2	
2	222173	(000000-008920)	Bracket, Mounting, Motor	2	
2	223564	(008921-	Bracket, Mounting, Motor	2	
3	375195	(000000-	Sprocket, Drive	2	
4	08713	(000000-	Nut-Hxlocnyln M 8X1.25 Reg Ss	4	
5	377505	(000000-	Belt, Replmt, Brush Drive, F/222201	2	
6	222174	(000000-008920)	Guard, Belt, Rh	1	
7	222175	(000000-008920)	Guard, Belt, Lh	1	
▽	222751	(000000-	Plug Drive Assy	2	
▲	8	222176	(000000-	Shaft, Drive Plug	1
▲	9	377333	(000000-	Plug, Drive, Brush, [48 Tooth - Gt/2]	1
▲	10	41360AM	(000000-	Bearing-Ball,0.59B 1.26D 0.35W	2
▲	11	01516	(000000-	Ring,Retain,Ex,0.59Od,Basic	1
▽	374082	(000000-	Door Assy, Brush	2	
▲	12	369460	(000000-	Door, Brush	1
▲▽	222752	(000000-	Plug Idler Assy	1	
▲▲	13	222177	(000000-	Shaft, Idler Plug	1
▲▲	14	222184	(000000-	Pin, Roll	1
▲▲	15	379202	(000000-	Plug, Brush	1
▲▲	16	01516	(000000-	Ring,Retain,Ex,0.59Od,Basic	1
▲	17	222180	(000000-	Skirt, Scrub Head	1
▲	18	08713	(000000-	Nut-Hxlocnylon M 8X1.25 Reg Ss	2
▲	19	222182	(000000-	Bar, Support	1
▲	20	74077	(000000-	Scr-Flt M8 X 1.25 25 Ss	2
▲	21	390996	(000000-	Scr-Flt M10 X 1.5 20, Ss NI	1
	22	07810	(000000-	Scr Flt M8 x 1.25 25	4
	23	44961	(000000-	Tie, Cable 4.00D Max 14.50 Lg	2
	24	01684	(000000-	Washer Flt .25 Ss	4
	25	74077	(000000-	Screw, Flat,M 8X1.25 Ss	2
	26	09740	(000000-	Scr Hexssm 8X1.25	2
	27	01685	(000000-	Washer, Flat, 0.38b 0.88d .08, Ss	6
	28	222209	(000000-	Spring, Door	2
	29	222791	(000000-008920)	Shield, Belt	2
	30	222818	(000000-	Scr-Set 8-32 X .25 Nylon Loc	4
	31	222850	(000000-008920)	Bracket, Shield	2
	32	222511	(000000-008920)	Skirt, Deflector	2
	33	223568	(008921-	Skirt, Deflector	2
	34	223566	(008921-	Bracket, Shield	2
	35	223569	(008921-	Gasket, Shield	2
	36	223563	(008921-	Shield, Belt	2
	37	15678	(008921-	Screw, Hex, M06 X 1.0 X 16, Ss	4
	38	223560	(008921-	Guard, Belt, Rh	1
	39	223561	(008921-	Guard, Belt, Lh	1
	40	76099	(000000-	Scr-Hxfmg M8 X 1.25 25	4
	41	222180	(000000-	Skirt, Scrub Head	2
	42	222182	(000000-	Bar, Support	2
	43	222863	(000000-008920)	Replm Kit, Seal	2
	44	222820	(000000-	Seal, Ring	2
	45	06942	(000000-	Screw, Hex, M06-1.0 X 16	4
	46	1010506	(000000-	Tool, Removal, Shaft, F/ 222176	1

STANDARD PARTS

Fig. 13 - Scrub Head Frame Group, Model 700C, 700 mm (28 in)

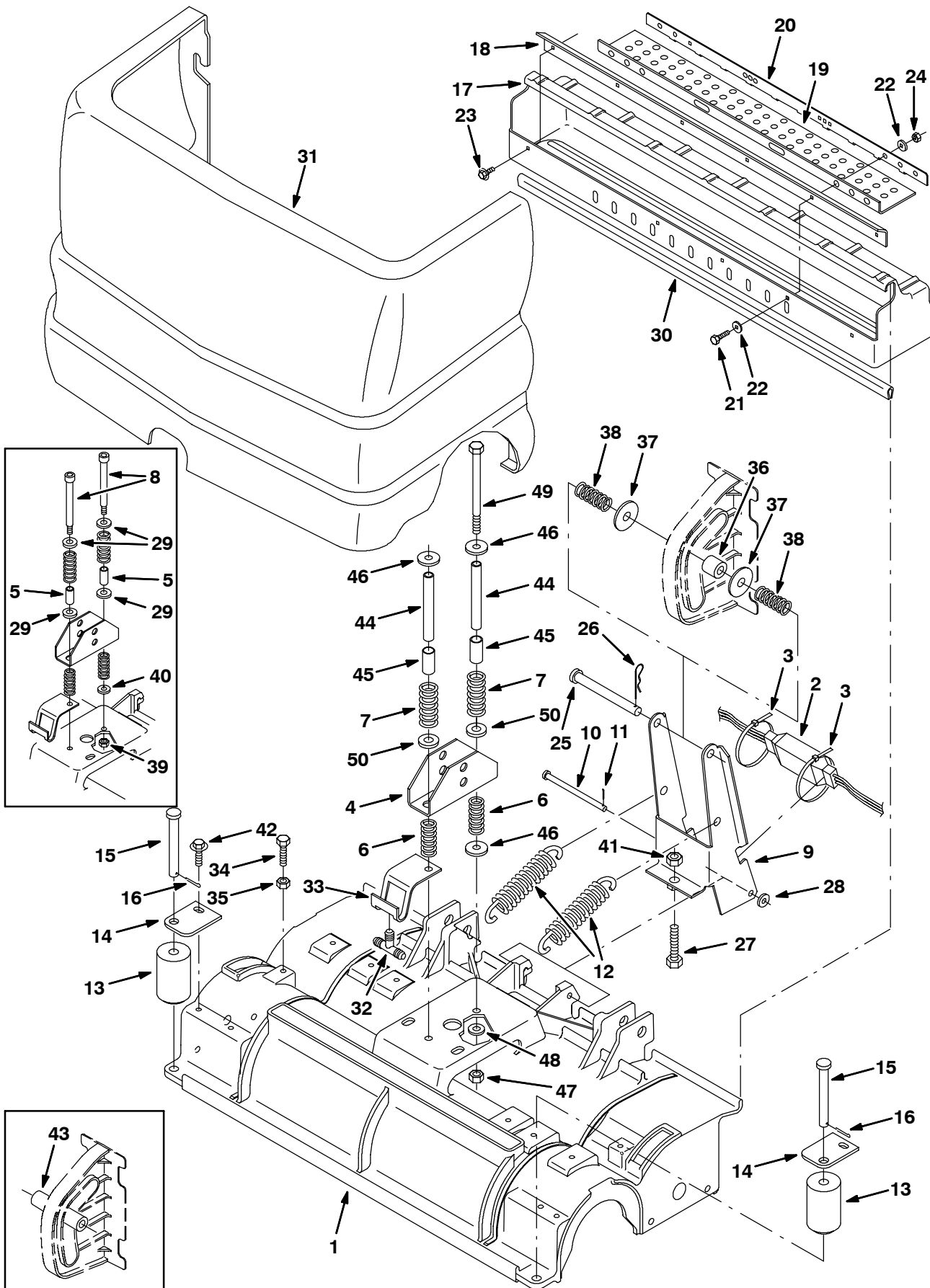


Fig. 13 - Scrub Head Frame Group, Model 700C, 700 mm (28 in)

NOTE: Scrub Head Kit, Tennant Part Number 222015, includes Fig. 12, and Fig. 13.

Ref.	Part No.	Serial Number	Description	Qty.	
1	374009	(000000-008920)	Housing, Cyl, Replacement 28	1	
1	1022254	(008921-	Housing, Cyl, Mach, 700mm	1	
2	222835	(000000-	Harness, Wire, Cyl Head, Elec	1	
3	49263	(000000-	Tie Cable 3.00D Max 11.41Lg	2	
4	1012088	(000000-	Bracket, Mtg, Spring	1	
5	50682	(000000-025364)	Sleeve, .500B .62D1.31 Stl	2	
6	63185	(000000-	Spring,Comp,.84Odx.10Wire 2.0L	2	
7	45261	(000000-	Sprng,Comp,0.74ldx.11Wire 2.5L	2	
8	9002024	(000000-025364)	Bolt Kit, Shld, F/ 45960, Replmt	2	
9	222838	(000000-	Bracket, Pivot	1	
10	222207	(000000-	Pin, Clevis, 0.31Dia X4.5Lg	1	
11	08346	(000000-	Pin, Cotter .125X0.75	2	
12	222363	(000000-	Spring, Tension	2	
13	222178	(000000-	Roller, Bumper	2	
14	222179	(000000-	Bracket, Mounting, Roller	2	
15	222196	(000000-	Pin, Roller	2	
16	08346	(000000-	Pin, Cotter .125X0.75	2	
▽	222824	(000000-	Debris Tray Kit, 28 in	1	
▲	17	222167	(000000-	Tray, Debris, 28	1
▲	18	222203	(000000-	Lip, Debris Tray, 28"	1
▲	19	222669	(000000-	Skirt, Debris Tray	1
▲	20	222670	(000000-	Strip, Debris Tray	1
▲	21	09007	(000000-	Scr-Hexssm6X1.0 25	4
▲	22	01684	(000000-	Washer Flt .25 Ss	6
▲	23	74455	(000000-	Scr-Hxfmg M6 X 1.0 20	2
▲	24	08708	(000000-	Nut, Hex, Lock, M6 X 1.0, NI	4
	25	222197	(000000-	Pin, Clevis 0.50 Dia X 4.75Lg	1
	26	02942	(000000-	Pin,Hair Cotter .12Wire 2.37Sl	1
	27	05720	(000000-	Scr-Hexssm10X1.5 40 Full Thd	1
	28	01685	(000000-	Washer, Flat, 0.38b 0.88d .08, Ss	1
	29	32486	(000000-025364)	Washer, Flt .50 SAE	4
	30	374006	(000000-	Channel	1
	31	397794	(000000-	Cover, Front, Trim, [5700 Cyl]	1
	32	222536	(000000-	Fitting-Plastic Tee 06Bm/06Bm/	1
	33	222523	(000000-	Bracket, Hose Guide	1
	34	09023	(000000-	Screw, Hex, M08 X 1.25 X 35, Ss	2
	35	08713	(000000-	Nut, Hex, Lock, M08 X 1.25, NI, Ss	2
	36	374162	(xxxxxx-	Roller, Rwk	1
	37	51564	(xxxxxx-	Washer, 0.53b 1.75d .12, Stl, PI	2
	38	397255	(xxxxxx-	Spring, Cmpr, 0.85od .08wir 2.0l	2
	39	36643	(000000-025364)	Nut, Hex, Lock, .38-16, NI, Thin	2
	40	01685	(000000-025364)	Washer, Flat, 0.38b 0.88d .08, Ss	1
	41	39312	(000000-	Nut, Hex, Std, M10 X 1.5	1
	42	76099	(000000-	Screw, Hex, M8 X 1.25 X 25, Fmg	2
	43	222055	(000000- xxxxxx)	Roller, Linkage, Head	1
	44	1029426	(025365-	Tube, Rnd, 0.40id 0.50od 04.3l, Ss	2
	45	140148	(025365-	Sleeve, P/M, 0.50b 0.63d 1.4l, Stl PI	2
	46	32662	(025365-	Washer, Flat, 0.38b 1.22d .06, Ss	3
	47	59156	(025365-	Nut, Hex, Lock, .38-16, NI, Ss	2
	48	01685	(025365-	Washer, Flat, 0.38b 0.88d .08, Ss	2
	49	20178	(025365-	Screw, Hex, .38-16 X 5.50, G5	2
	50	32486	(025365-	Washer, Flt .50 SAE	2

STANDARD PARTS

Fig. 14 - Scrub Head Drive Group, Model 800C, 800 mm (32 in)

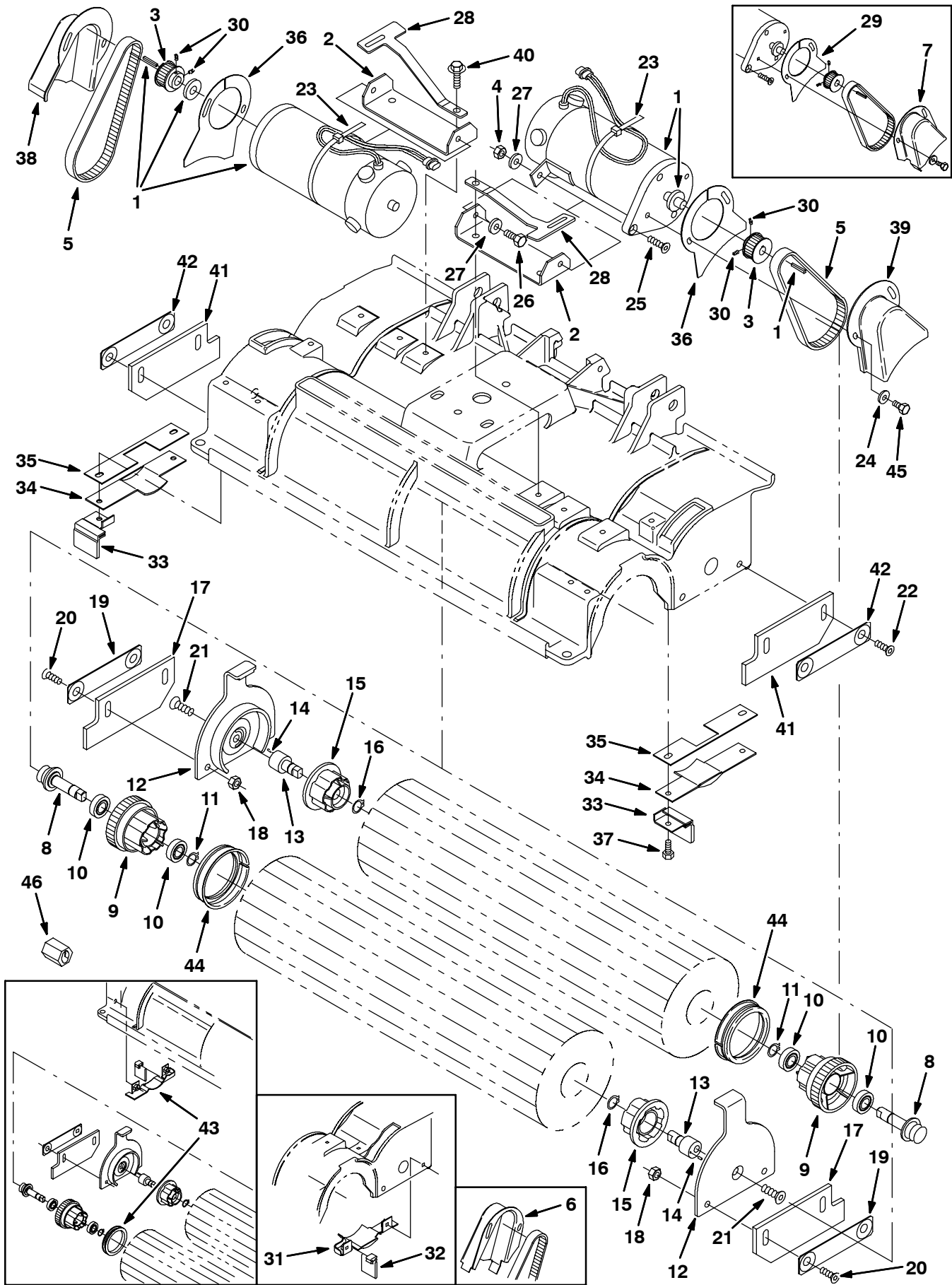


Fig. 14 - Scrub Head Drive Group, Model 800C, 800 mm (32 in)

NOTE: Scrub Head Kit, Tennant Part Number 222016, includes Fig. 14, and Fig. 15.

Ref.	Part No.	Serial Number	Description	Qty.	
1	222753	(000000-018380)	Motor, .75 Hp, 36V, 1700Rpm (See Breakdowns)	2	
1	375175AM	(018381-	Motor Assy, Ele, 36V, 0.75Hp, 1700Rpm (See Breakdowns)	2	
2	222173	(000000-008318)	Bracket, Mounting, Motor	2	
2	223564	(008921-	Bracket, Mounting, Motor	2	
3	375195	(000000-	Sprocket, Drive	2	
4	08713	(000000-	Nut-Hxlocnyln M 8X1.25 Reg Ss	4	
5	377505	(000000-	Belt, Replmt, Brush Drive, F/222201	2	
6	222174	(000000-008318)	Guard, Belt, Rh	1	
7	222175	(000000-008318)	Guard, Belt, Lh	1	
▽	222751	(000000-	Plug Drive Assy	2	
▲	8	222176	(000000-	Shaft, Drive Plug	1
▲	9	377333	(000000-	Plug, Drive, Brush, [48 Tooth - Gt/2]	1
▲	10	41360AM	(000000-	Bearing-Ball,0.59B 1.26D 0.35W	2
▲	11	01516	(000000-	Ring,Retain,Ex,0.59Od,Basic	1
▽	374082	(000000-	Door Assy, Brush	2	
▲	12	369460	(000000-	Door, Brush	1
▲▽	222752	(000000-	Plug Idler Assy	1	
▲▲	13	222177	(000000-	Shaft, Idler Plug	1
▲▲	14	222184	(000000-	Pin, Roll	1
▲▲	15	379202	(000000-	Plug, Brush	1
▲▲	16	01516	(000000-	Ring,Retain,Ex,0.59Od,Basic	1
▲	17	222180	(000000-	Skirt, Scrub Head	1
▲	18	08713	(000000-	Nut-Hxlocnylon M 8X1.25 Reg Ss	2
▲	19	222182	(000000-	Bar, Support	1
▲	20	74077	(000000-	Scr-Flt M8 X 1.25 25 Ss	2
▲	21	390996	(000000-	Scr-Flt M10 X 1.5 20, Ss NI	1
	22	07810	(000000-	Scr Flt M8 x 1.25 25	4
	23	44961	(000000-	Tie, Cable 4.00D Max 14.50 Lg	2
	24	01684	(000000-	Washer Flt .25 Ss	4
	25	74077	(000000-	Screw, Flat,M 8X1.25 Ss	2
	26	09740	(000000-	Scr Hexssm 8X1.25	2
	27	01685	(000000-	Washer, Flat, 0.38b 0.88d .08, Ss	6
	28	222209	(000000-	Spring, Door	2
	29	222791	(000000-008318)	Shield, Belt	2
	30	222818	(000000-	Scr-Set 8-32 X .25 Nylon Loc	4
	31	222850	(000000-008318)	Bracket, Shield	2
	32	222511	(000000-008318)	Skirt, Deflector	2
	33	223568	(008319-	Skirt, Deflector	2
	34	223566	(008319-	Bracket, Shield	2
	35	223569	(008319-	Gasket, Shield	2
	36	223563	(008319-	Shield, Belt	2
	37	15678	(008921-	Screw, Hex, M06 X 1.0 X 16, Ss	4
	38	223560	(008319-	Guard, Belt, Rh	1
	39	223561	(008319-	Guard, Belt, Lh	1
	40	76099	(000000-	Scr-Hxfmg M8 X 1.25 25	4
	41	222180	(000000-	Skirt, Scrub Head	2
	42	222182	(000000-	Bar, Support	2
	43	222863	(000000-008318)	Replm Kit, Seal	2
	44	222820	(000000-	Seal, Ring	2
	45	06942	(000000-	Screw, Hex, M06-1.0 X 16	4
	46	1010506	(000000-	Tool, Removal, Shaft, F/ 222176	1

STANDARD PARTS

Fig. 15 - Scrub Head Frame Group, Model 800C, 800 mm (32 in)

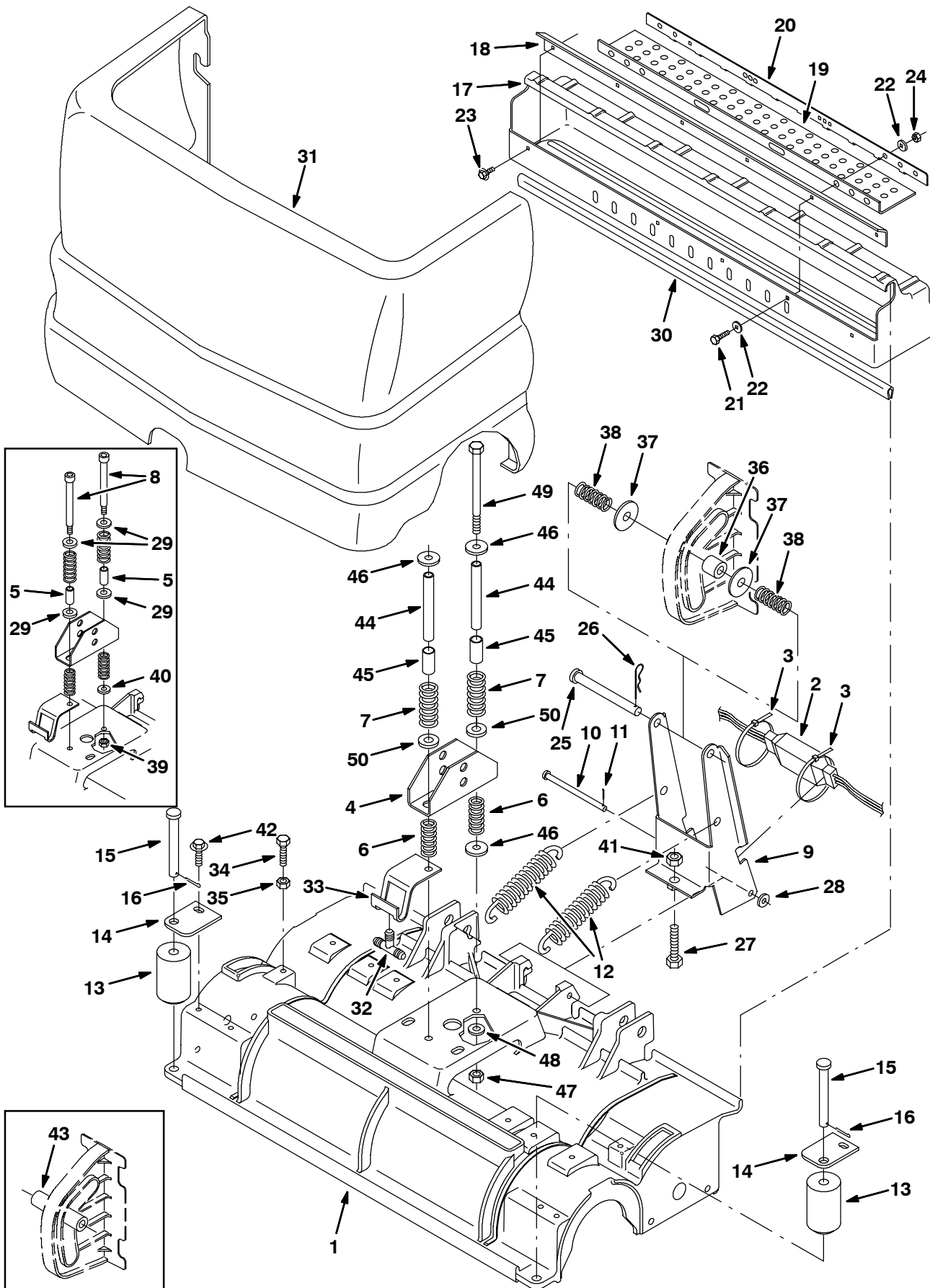


Fig. 15 - Scrub Head Frame Group, Model 800C, 800 mm (32 in)

NOTE: Scrub Head Kit, Tennant Part Number 222016, includes Fig. 14, and Fig. 15.

Ref.	Part No.	Serial Number	Description	Qty.
1	374010	(000000-008318)	Housing, Cyl, Replacement 32	1
1	1022253	(008319-	Housing, Cyl, Mach, 800mm	1
2	222835	(000000-	Harness, Wire, Cyl Head, Elec	1
3	49263	(000000-	Tie Cable 3.00D Max 11.41Lg	2
4	1012088	(000000-	Bracket, Mtg, Spring	1
5	50682	(000000-025364)	Sleeve, .500B .62D1.31 Stl	2
6	63185	(000000-	Spring,Comp,.84Odx.10Wire 2.0L	2
7	45261	(000000-	Sprng,Comp,0.74ldx.11Wire 2.5L	2
8	9002024	(000000-025364)	Bolt Kit, Shld, F/ 45960, Replmt	2
9	222838	(000000-	Bracket, Pivot	1
10	222207	(000000-	Pin, Clevis, 0.31Dia X4.5Lg	1
11	08346	(000000-	Pin, Cotter .125X0.75	2
12	222363	(000000-	Spring, Tension	2
13	222178	(000000-	Roller, Bumper	2
14	222179	(000000-	Bracket, Mounting, Roller	2
15	222196	(000000-	Pin, Roller	2
16	08346	(000000-	Pin, Cotter .125X0.75	2
▽	222825	(000000-	Debris Tray Kit, 32 in	1
▲	17 391330	(000000-	Tray, Debris, 32	1
▲	18 222204	(000000-	Lip, Debris Tray 32"	1
▲	19 222669	(000000-	Skirt, Debris Tray	1
▲	20 222670	(000000-	Strip, Debris Tray	1
▲	21 09007	(000000-	Scr-Hexssm6X1.0 25	4
▲	22 01684	(000000-	Washer Flt .25 Ss	6
▲	23 74455	(000000-	Scr-Hxfmg M6 X 1.0 20	2
▲	24 08708	(000000-	Nut, Hex, Lock, M6 X 1.0, NI	4
	25 222197	(000000-	Pin, Clevis 0.50 Dia X 4.75Lg	1
	26 02942	(000000-	Pin,Hair Cotter .12Wire 2.37Sl	1
	27 05720	(000000-	Scr-Hexssm10X1.5 40 Full Thd	1
	28 01685	(000000-	Washer, Flat, 0.38b 0.88d .08, Ss	1
	29 32486	(000000-025364)	Washer, Flt .50 SAE	4
	30 374007	(000000-	Channel	1
	31 397794	(000000-	Cover, Front, Trim, [5700 Cyl]	1
	32 222536	(000000-	Fitting-Plastic Tee 06Bm/06Bm/	1
	33 222523	(000000-	Bracket, Hose Guide	1
	34 09023	(000000-	Screw, Hex, M08 X 1.25 X 35, Ss	2
	35 08713	(000000-	Nut, Hex, Lock, M08 X 1.25, NI, Ss	2
	36 374162	(xxxxxx-	Roller, Rwk	1
	37 51564	(xxxxxx-	Washer, 0.53b 1.75d .12, Stl, PI	2
	38 397255	(xxxxxx-	Spring, Cmpr, 0.85od .08wir 2.0l	2
	39 36643	(000000-025364)	Nut, Hex, Lock, .38-16, NI, Thin	2
	40 01685	(000000-025364)	Washer, Flat, 0.38b 0.88d .08, Ss	1
	41 39312	(000000-	Nut, Hex, Std, M10 X 1.5	1
	42 76099	(000000-	Screw, Hex, M8 X 1.25 X 25, Fmg	2
	43 222055	(000000- xxxxxx)	Roller, Linkage, Head	1
	44 1029426	(025365-	Tube, Rnd, 0.40id 0.50od 04.3l, Ss	2
	45 140148	(025365-	Sleeve, P/M, 0.50b 0.63d 1.4l, Stl PI	2
	46 32662	(025365-	Washer, Flat, 0.38b 1.22d .06, Ss	3
	47 59156	(025365-	Nut, Hex, Lock, .38-16, NI, Ss	2
	48 01685	(025365-	Washer, Flat, 0.38b 0.88d .08, Ss	2
	49 20178	(025365-	Screw, Hex, .38-16 X 5.50, G5	2
	50 32486	(025365-	Washer, Flt .50 SAE	2

Fig. 16 - Scrub Head Drive Group, Model 900C, 900 mm (36 in)

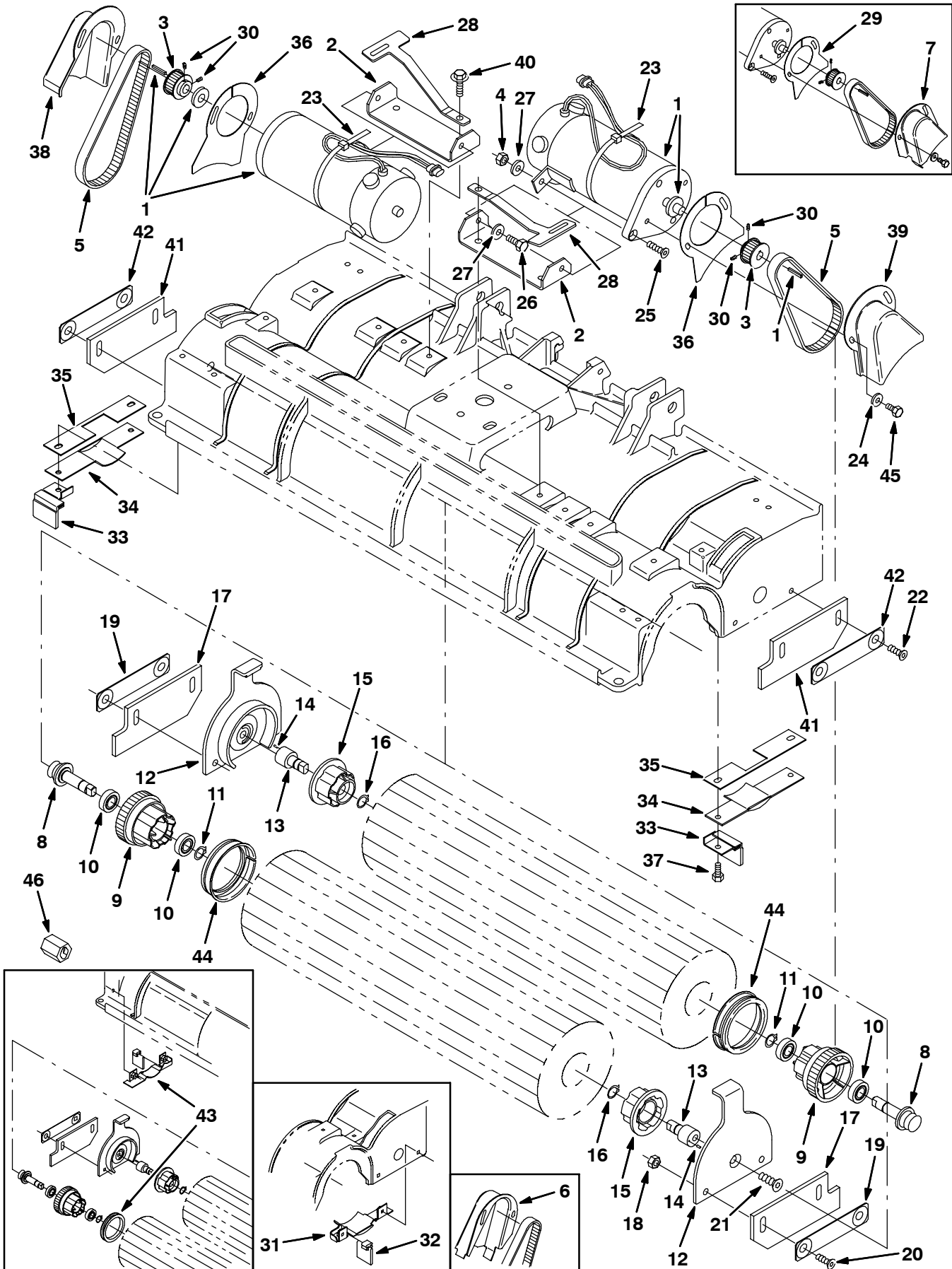


Fig. 16 - Scrub Head Drive Group, Model 900C, 900 mm (36 in)

NOTE: Scrub Head Kit, Tennant Part Number 222017, includes Fig. 16, and Fig. 17.

Ref.	Part No.	Serial Number	Description	Qty.	
1	222753	(000000-018380)	Motor, .75 Hp, 36V, 1700Rpm (See Breakdowns)	2	
1	375175AM	(018381-	Motor Assy, Ele, 36V, 0.75Hp, 1700Rpm (See Breakdowns)	2	
2	222173	(000000-009665)	Bracket, Mounting, Motor	2	
2	223564	(008921-	Bracket, Mounting, Motor	2	
3	375195	(000000-	Sprocket, Drive	2	
4	08713	(000000-	Nut-Hxlocnyln M 8X1.25 Reg Ss	4	
5	377505	(000000-	Belt, Replmt, Brush Drive, F/222201	2	
6	222174	(000000-009665)	Guard, Belt, Rh	1	
7	222175	(000000-009665)	Guard, Belt, Lh	1	
▽	222751	(000000-	Plug Drive Assy	2	
▲	8	222176	(000000-	Shaft, Drive Plug	1
▲	9	377333	(000000-	Plug, Drive, Brush, [48 Tooth - Gt/2]	1
▲	10	41360AM	(000000-	Bearing-Ball,0.59B 1.26D 0.35W	2
▲	11	01516	(000000-	Ring,Retain,Ex,0.59Od,Basic	1
▽	374082	(000000-	Door Assy, Brush	2	
▲	12	369460	(000000-	Door, Brush	1
▲▽	222752	(000000-	Plug Idler Assy	1	
▲▲	13	222177	(000000-	Shaft, Idler Plug	1
▲▲	14	222184	(000000-	Pin, Roll	1
▲▲	15	379202	(000000-	Plug, Brush	1
▲▲	16	01516	(000000-	Ring,Retain,Ex,0.59Od,Basic	1
▲	17	222180	(000000-	Skirt, Scrub Head	1
▲	18	08713	(000000-	Nut-Hxlocnylon M 8X1.25 Reg Ss	2
▲	19	222182	(000000-	Bar, Support	1
▲	20	74077	(000000-	Scr-Flt M8 X 1.25 25 Ss	2
▲	21	390996	(000000-	Scr-Flt M10 X 1.5 20, Ss NI	1
	22	07810	(000000-	Scr Flt M8 x 1.25 25	4
	23	44961	(000000-	Tie, Cable 4.00D Max 14.50 Lg	2
	24	01684	(000000-	Washer Flt .25 Ss	4
	25	74077	(000000-	Screw, Flat,M 8X1.25 Ss	2
	26	09740	(000000-	Scr Hexssm 8X1.25	2
	27	01685	(000000-	Washer, Flat, 0.38b 0.88d .08, Ss	6
	28	222209	(000000-	Spring, Door	2
	29	222791	(000000-009665)	Shield, Belt	2
	30	222818	(000000-	Scr-Set 8-32 X .25 Nylon Loc	4
	31	222850	(000000-009665)	Bracket, Shield	2
	32	222511	(000000-009665)	Skirt, Deflector	2
	33	223568	(009666-	Skirt, Deflector	2
	34	223566	(009666-	Bracket, Shield	2
	35	223569	(009666-	Gasket, Shield	2
	36	223563	(009666-	Shield, Belt	2
	37	15678	(009666-	Screw, Hex, M06 X 1.0 X 16, Ss	4
	38	223560	(009666-	Guard, Belt, Rh	1
	39	223561	(009666-	Guard, Belt, Lh	1
	40	76099	(000000-	Scr-Hxfmg M8 X 1.25 25	4
	41	222180	(000000-	Skirt, Scrub Head	2
	42	222182	(000000-	Bar, Support	2
	43	222863	(000000-009665)	Replm Kit, Seal	2
	44	222820	(000000-	Seal, Ring	2
	45	06942	(000000-	Screw, Hex, M06-1.0 X 16	4
	46	1010506	(000000-	Tool, Removal, Shaft, F/ 222176	1

STANDARD PARTS

Fig. 17 - Scrub Head Frame Group, Model 900C, 900 mm (36 in)

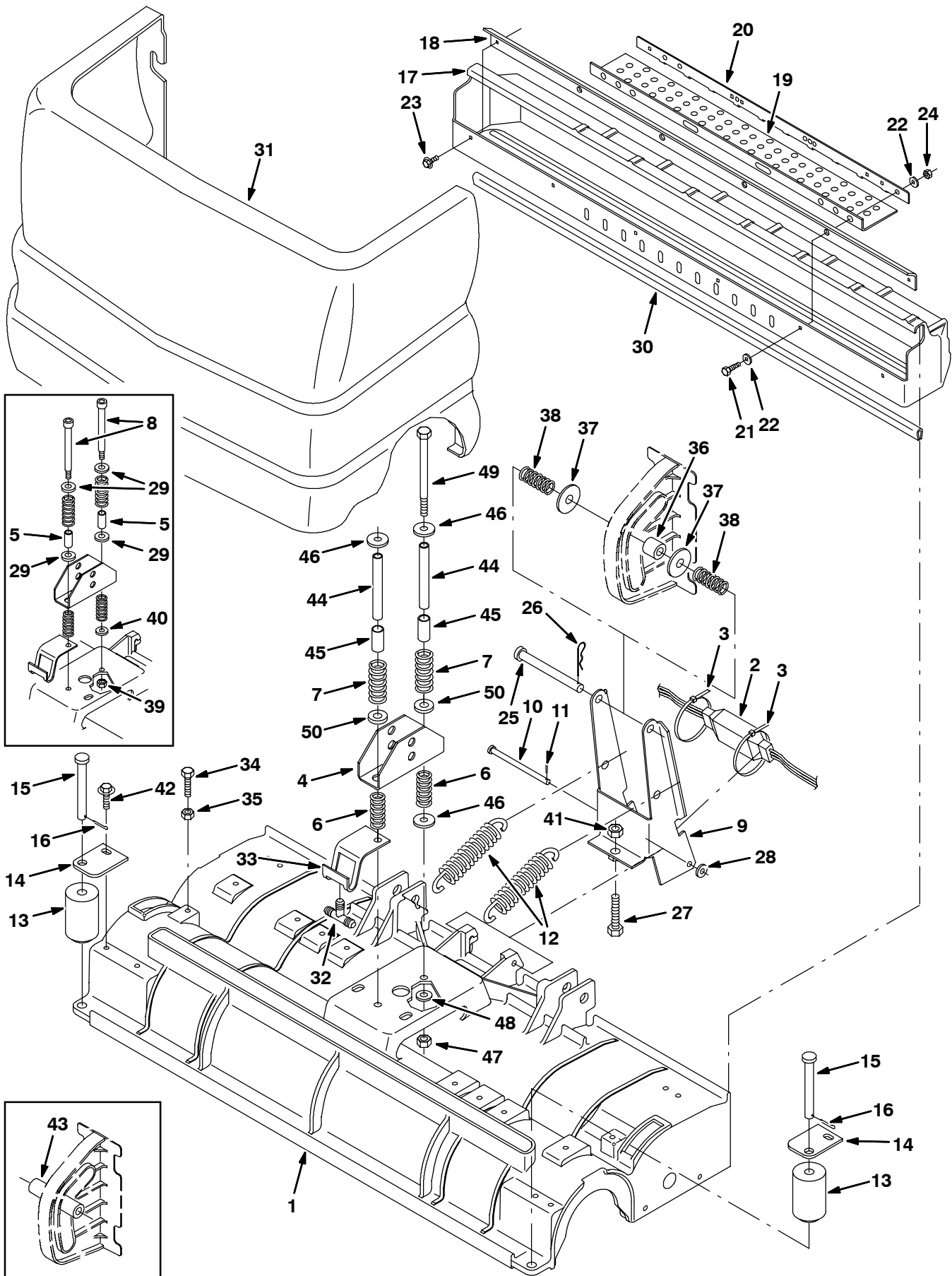


Fig. 17 - Scrub Head Frame Group, Model 900C, 900 mm (36 in)

NOTE: Scrub Head Kit, Tennant Part Number 222017, includes Fig. 16, and Fig. 17.

Ref.	Part No.	Serial Number	Description	Qty.	
1	374011	(000000-009665)	Housing, Cyl, Replacement 36	1	
1	1022252	(009666-	Housing, Cyl, Mach, 900mm	1	
2	222835	(000000-	Harness, Wire, Cyl Head, Elec	1	
3	49263	(000000-	Tie Cable 3.00D Max 11.41Lg	2	
4	1012088	(000000-	Bracket, Mtg, Spring	1	
5	50682	(000000-025364)	Sleeve, .500B .62D1.31 Stl	2	
6	63185	(000000-	Spring,Comp,.84Odx.10Wire 2.0L	2	
7	45261	(000000-	Sprng,Comp,0.74ldx.11Wire 2.5L	2	
8	9002024	(000000-025364)	Bolt Kit, Shld, F/ 45960, Replmt	2	
9	222838	(000000-	Bracket, Pivot	1	
10	222207	(000000-	Pin, Clevis, 0.31Dia X4.5Lg	1	
11	08346	(000000-	Pin, Cotter .125X0.75	2	
12	222363	(000000-	Spring, Tension	2	
13	222178	(000000-	Roller, Bumper	2	
14	222179	(000000-	Bracket, Mounting, Roller	2	
15	222196	(000000-	Pin, Roller	2	
16	08346	(000000-	Pin, Cotter .125X0.75	2	
▽	222826	(000000-	Debris Tray Kit, 36 in	1	
▲	17	223400	(000000-	Tray, Debris, 36	1
▲	18	222205	(000000-	Lip, Debris Tray, 36	1
▲	19	222669	(000000-	Skirt, Debris Tray	1
▲	20	222670	(000000-	Strip, Debris Tray	1
▲	21	09007	(000000-	Scr-Hexssm6X1.0 25	4
▲	22	01684	(000000-	Washer Flt .25 Ss	6
▲	23	74455	(000000-	Scr-Hxfmg M6 X 1.0 20	2
▲	24	08708	(000000-	Nut, Hex, Lock, M6 X 1.0, NI	4
	25	222197	(000000-	Pin, Clevis 0.50 Dia X 4.75Lg	1
	26	02942	(000000-	Pin,Hair Cotter .12Wire 2.37Sl	1
	27	05720	(000000-	Scr-Hexssm10X1.5 40 Full Thd	1
	28	01685	(000000-	Washer, Flat, 0.38b 0.88d .08, Ss	1
	29	32486	(000000-025364)	Washer, Flt .50 SAE	4
	30	374008	(000000-	Channel	1
	31	397794	(000000-	Cover, Front, Trim, [5700 Cyl]	1
	32	222536	(000000-	Fitting-Plastic Tee 06Bm/06Bm/	1
	33	222523	(000000-	Bracket, Hose Guide	1
	34	09023	(000000-	Screw, Hex, M08 X 1.25 X 35, Ss	2
	35	08713	(000000-	Nut, Hex, Lock, M08 X 1.25, NI, Ss	2
	36	374162	(xxxxxx-	Roller, Rwk	1
	37	51564	(xxxxxx-	Washer, 0.53b 1.75d .12, Stl, PI	2
	38	397255	(xxxxxx-	Spring, Cmpr, 0.85od .08wir 2.0l	2
	39	36643	(000000-	Nut, Hex, Lock, .38-16, NI, Thin	2
	40	01685	(000000-025364)	Washer, Flat, 0.38b 0.88d .08, Ss	1
	41	39312	(000000-	Nut, Hex, Std, M10 X 1.5	1
	42	76099	(000000-	Screw, Hex, M8 X 1.25 X 25, Fmg	2
	43	222055	(000000- xxxxxx)	Roller, Linkage, Head	1
	44	1029426	(025365-	Tube, Rnd, 0.40id 0.50od 04.3l, Ss	2
	45	140148	(025365-	Sleeve, P/M, 0.50b 0.63d 1.4l, Stl PI	2
	46	32662	(025365-	Washer, Flat, 0.38b 1.22d .06, Ss	3
	47	59156	(025365-	Nut, Hex, Lock, .38-16, NI, Ss	2
	48	01685	(025365-	Washer, Flat, 0.38b 0.88d .08, Ss	2
	49	20178	(025365-	Screw, Hex, .38-16 X 5.50, G5	2
	50	32486	(025365-	Washer, Flt .50 SAE	2

STANDARD PARTS

Fig. 18 - Recovery Tank Group (00000-022108)

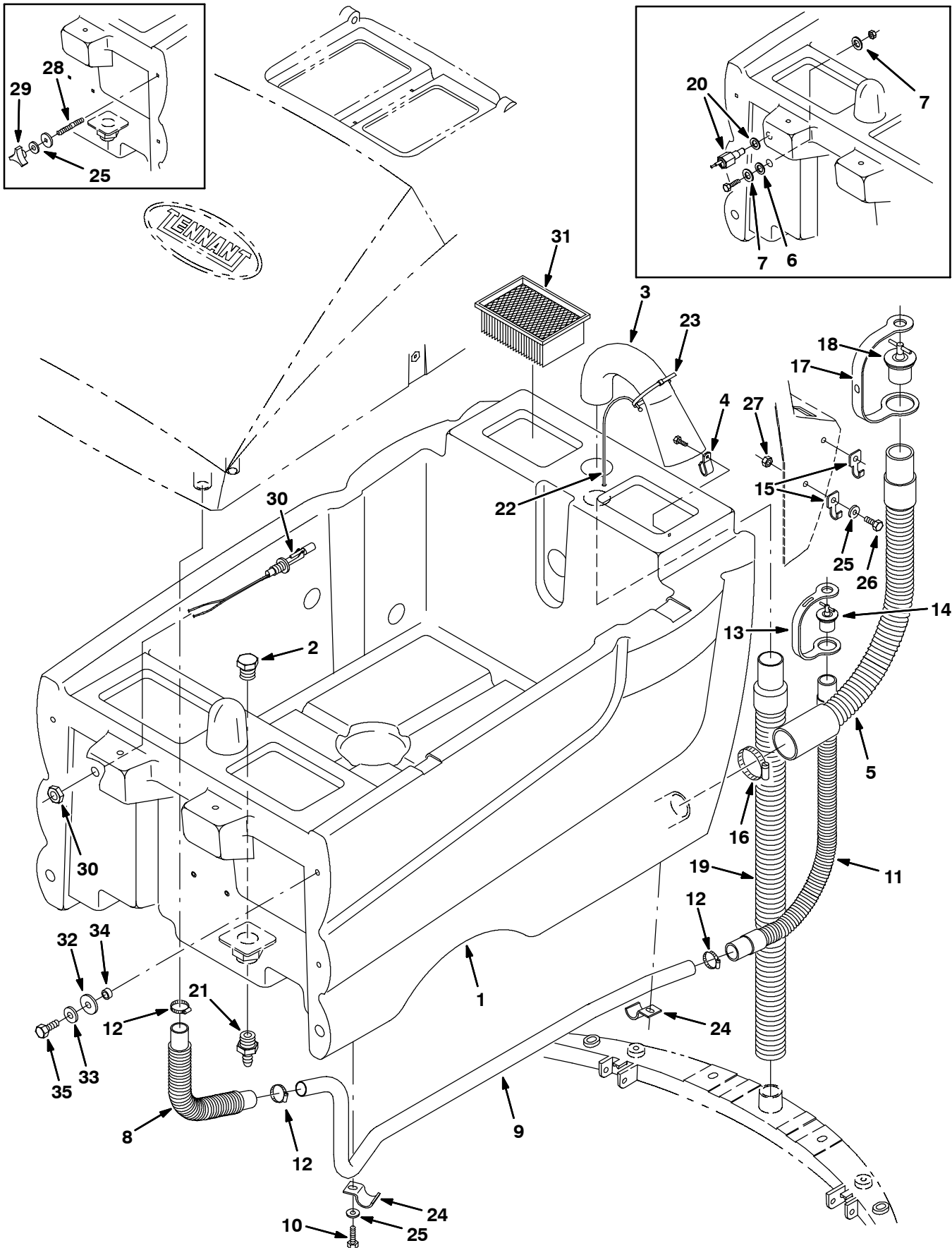


Fig. 18 - Recovery Tank Group (000000-022108)

Ref.	Part No.	Serial Number	Description	Qty.
1	398440	(000000-022108)	Tank, Recovery	1
2	75611	(000000-022108)	Ftg-Plug Npt 12Pm Rd Hd Plstc.	1
3	222361	(000000-022108)	Hose, Inlet Recovery Tank	1
4	222793	(000000-019216)	Clip, Hose, Hanger	1
5	374059	(000000-022108)	Hose & Cuff Assy, Drain .5ld 27.5L	1
6	01316	(000000-020102)	Washer, .660B 1.00D .12 Rbr	1
7	04400	(000000-020102)	Washer- Flt 17 X30X3 Ss M16	2
8	222194	(000000-022108)	Hose, Drain, Flex	1
9	222151	(000000-022108)	Tube, Drain	1
10	09740	(000000-022108)	Scr-Hexssm 8X1.25 20	2
11	222788	(000000-022108)	Hose, Drain, Tank, Solution	1
12	11399	(000000-022108)	Clamp-Wormdrive, 0.81- 1.50D	3
13	222517	(000000-022108)	Strap, Cap Retainer	1
14	374111	(000000-022108)	Plug, Expandable 1.00 Dia	1
15	222793	(000000-022108)	Clip, Hose, Hanger	2
16	14432	(000000-022108)	Clamp-Wormdrive, 1.81- 2.75D	1
17	222383	(000000-022108)	Strap, Drainhose	1
18	398850	(000000-022108)	Plug, Expandable 1.5D X 1.75L	1
19	374060	(000000-022108)	Hose & Cuff Assy, Vacuum 1.51D 32L	1
20	222827	(000000-004327)	Sensor Kit, Liq Level	1
21	79273-1	(000000-022108)	Ftg,Plstc,Cplg,Barb.75Pt-.50Hs	1
22	222667	(000000-022108)	Cable Assy, Hose Retainer	1
23	49263	(000000-022108)	Tie, Cable 3.00D Max 11.41Lg	1
24	69234	(000000-022108)	Clamp, Cable, 1.00D 0.62W Stl	2
25	01685	(000000-022108)	Washer, Flat, 0.38b 0.88d .08, Ss	8
26	15675	(000000-022108)	Scr Hexssm 8X1.25	2
27	08713	(000000-022108)	Nut-Hxlocnyln M 8X1.25 Reg Ss	2
28	30324	(000000-021999)	Stud, M8X1.25 20 8.8 Pltd	4
29	222470	(000000-021999)	Knob, M8X1.25 Insert	4
30	222822	(004328-022108)	Switch, Float	1
31	370113	(006956-022108)	Filter, Vac Fan	1
32	30013	(000000-022108)	Washer, Flat, .31 Fender	4
33	01685	(022000-022108)	Washer, Flat, 0.38b 0.88d .08, Ss	4
34	222516	(022000-022108)	Sleeve, P/M, 0.496d 0.318b 0.31l 430ss	4
35	12273	(022000-022108)	Screw, Hex, M 8 X 1.25 X 20, Ss, NI	4

Fig. 19 - Recovery Tank Group (022109-)

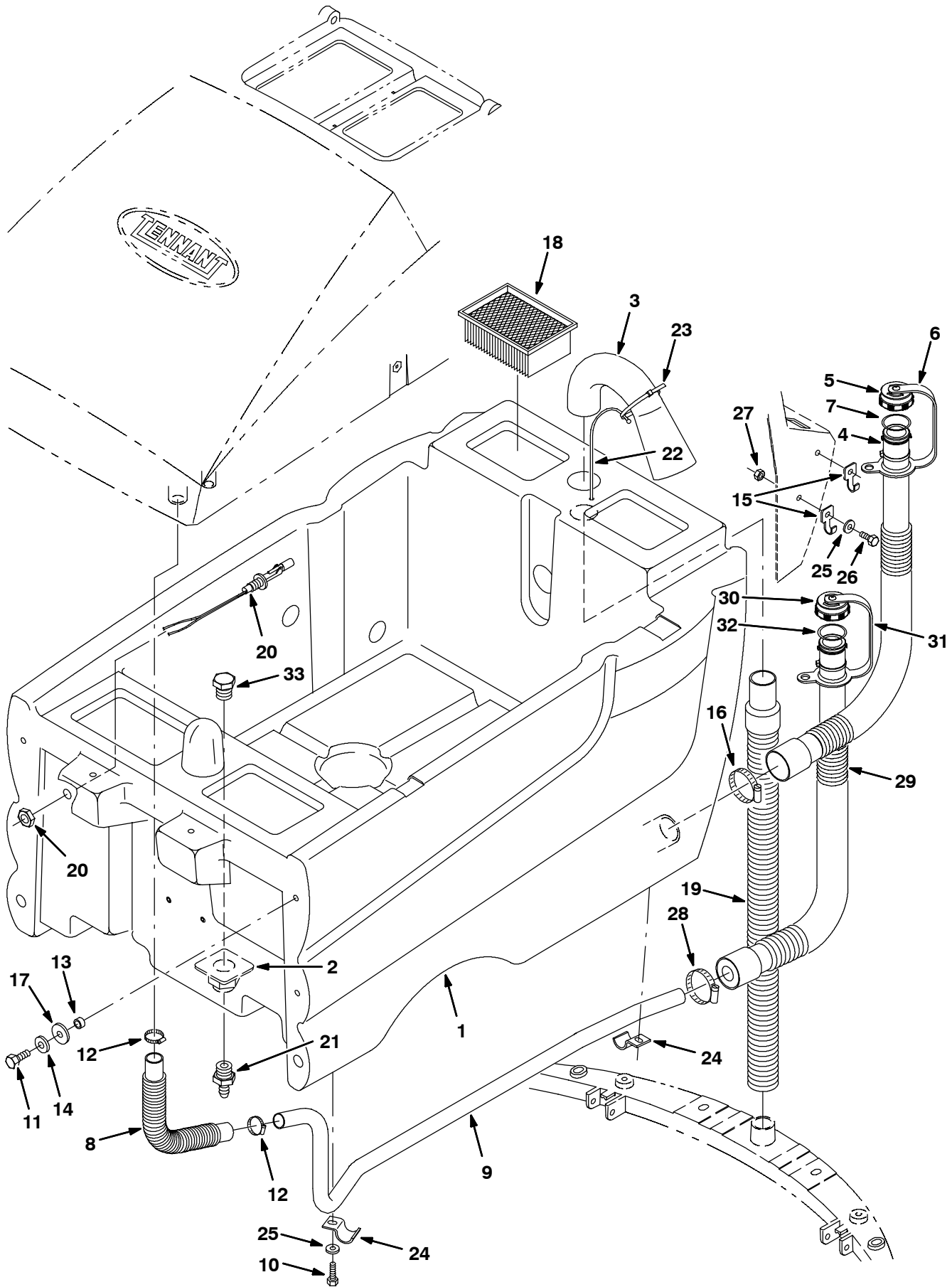


Fig. 19 - Recovery Tank Group (022109-)

Ref.	Part No.	Serial Number	Description	Qty.
▽	1	398440	(022109-) Tank, Recovery	1
▲	2	377349	(022109-) Fitting, Plstc, Pf12/Pf12, Bh	1
	3	222361	(022109-) Hose, Inlet Recovery Tank	1
▽	4	1011168	(022109-) Hose, Assembly, Drain, 25.7	1
▲▽	5	1008639	(022109-) Cap, Drain Assembly	1
▲▲	6	1019563	(022109-) Strap, Drain Cap	1
▲▲	7	1008637	(022109-) O Ring, 1.48" Id, 1.76" Od	1
	8	222194	(022109-) Hose, Drain, Flex	1
	9	222151	(022109-) Tube, Drain	1
	10	09740	(022109-) Scr-Hexssm 8X1.25 20	2
	11	12273	(022109-) Screw, Hex, M 8 X 1.25 X 20, Ss, NI	4
	12	11399	(022109-) Clamp-Wormdrive, 0.81- 1.50D	2
	13	222516	(022109-) Sleeve, P/M, 0.496d 0.318b 0.31l 430ss	4
	14	01685	(022109-) Washer, Flat, 0.38b 0.88d .08, Ss	4
	15	222793	(022109-) Clip, Hose, Hanger	2
	16	22297	(022109-) Clamp-Wormdrive, 1.56-2.50d, .50w	1
	17	30013	(022109-) Washer, Flat, .31 Fender	4
	18	370113	(022109-) Filter, Vac Fan	1
	19	374060	(022109-) Hose & Cuff Assy, Vacuum 1.51D 32L	1
	20	222822	(022109-) Switch, Float	1
	21	79273-1	(022109-) Ftg,Plstc,Cplg,Barb.75Pt-.50Hs	1
	22	222667	(022109-) Cable Assy, Hose Retainer	1
	23	49263	(022109-) Tie, Cable 3.00D Max 11.41Lg	1
	24	69234	(022109-) Clamp, Cable, 1.00D 0.62W Stl	2
	25	01685	(022109-) Washer, Flat, 0.38b 0.88d .08, Ss	4
	26	15675	(022109-) Scr Hexssm 8X1.25	2
	27	08713	(022109-) Nut-Hxlocnyln M 8X1.25 Reg Ss	2
	28	11531	(022109-) Clamp, Hose, Wormdrive, 1.06-2.00d	1
▽	29	1011167	(022109-) Hose, Assembly, Drain, 26.7	1
▲▽	30	1008639	(022109-) Cap, Drain Assembly	1
▲▲	31	1019563	(022109-) Strap, Drain Cap	1
▲▲	32	1008637	(022109-) O Ring, 1.48" Id, 1.76" Od	1
	33	75611	(022109-) Ftg-Plug Npt 12Pm Rd Hd Plstc.	1

Fig. 20 - Solution Tank Group

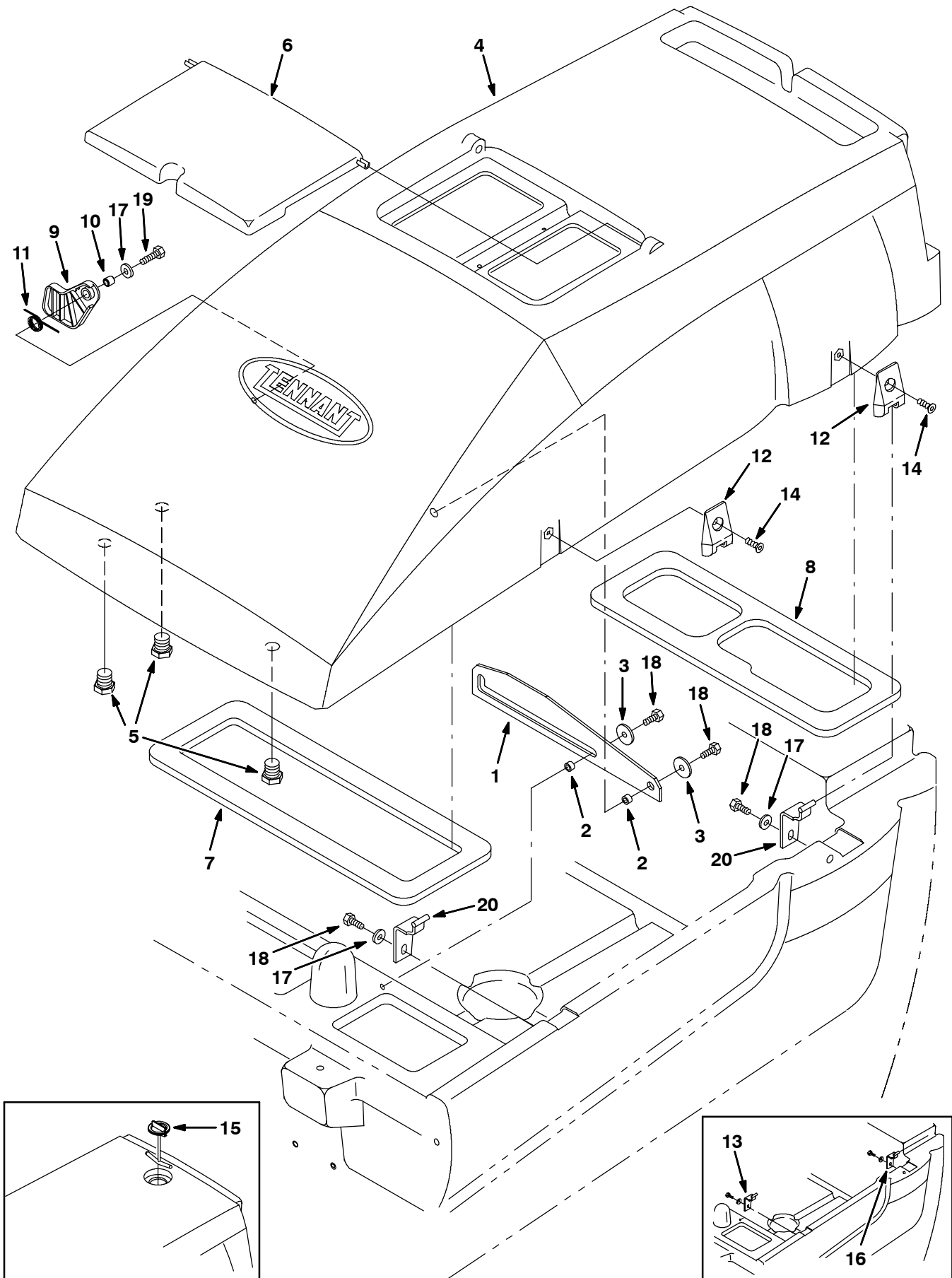


Fig. 20 - Solution Tank Group

Ref.	Part No.	Serial Number	Description	Qty.
1	397705	(000000-) Bracket, Prop Arm	1
2	222516	(000000-) Sleeve, .318B .496D .312 Ss	2
3	30013	(000000-) Washer-Flt .31 Fender Pltd	2
398430AM 4	222713	(000000-) Tank, Solution, w/Label	1
5	75611	(000000-) Ftg-Plug Npt 12Pm Rd Hd Plstc.	3
6	222712	(000000-) Cover, Solution Tank, w/Label	1
7	222120	(000000-) Gasket, Tank, Front	1
8	222121	(000000-) Gasket, Tank, Rear	1
9	222406	(000000-) Stop, Tank	1
10	222460	(000000-) Sleeve	1
11	222462	(000000-) Spring, Torsion	1
12	222529	(000000-) Hinge Leaf	2
13	222527	(000000-019873) Hinge Wldt, Leaf	1
14	222463	(000000-) Scr-Fit M 8X1.25 20 Blk Nyloc	2
15	222590	(000000-002814) Plug, Solution Tank	1
16	222689	(000000-019873) Hinge Leaf, Wldt, Rear	1
17	01685	(000000-) Washer, Flat, 0.38b 0.88d .08, Ss	3
18	09740	(000000-) Scr-Hexssm 8X1.25 20	4
19	12333	(000000-) Scr-Hexssm 8X1.25 25 Nyloloc	1
20	398485	(019874-) Hinge Wldt, Leaf	2

Fig. 21 - Vacuum Fan Group

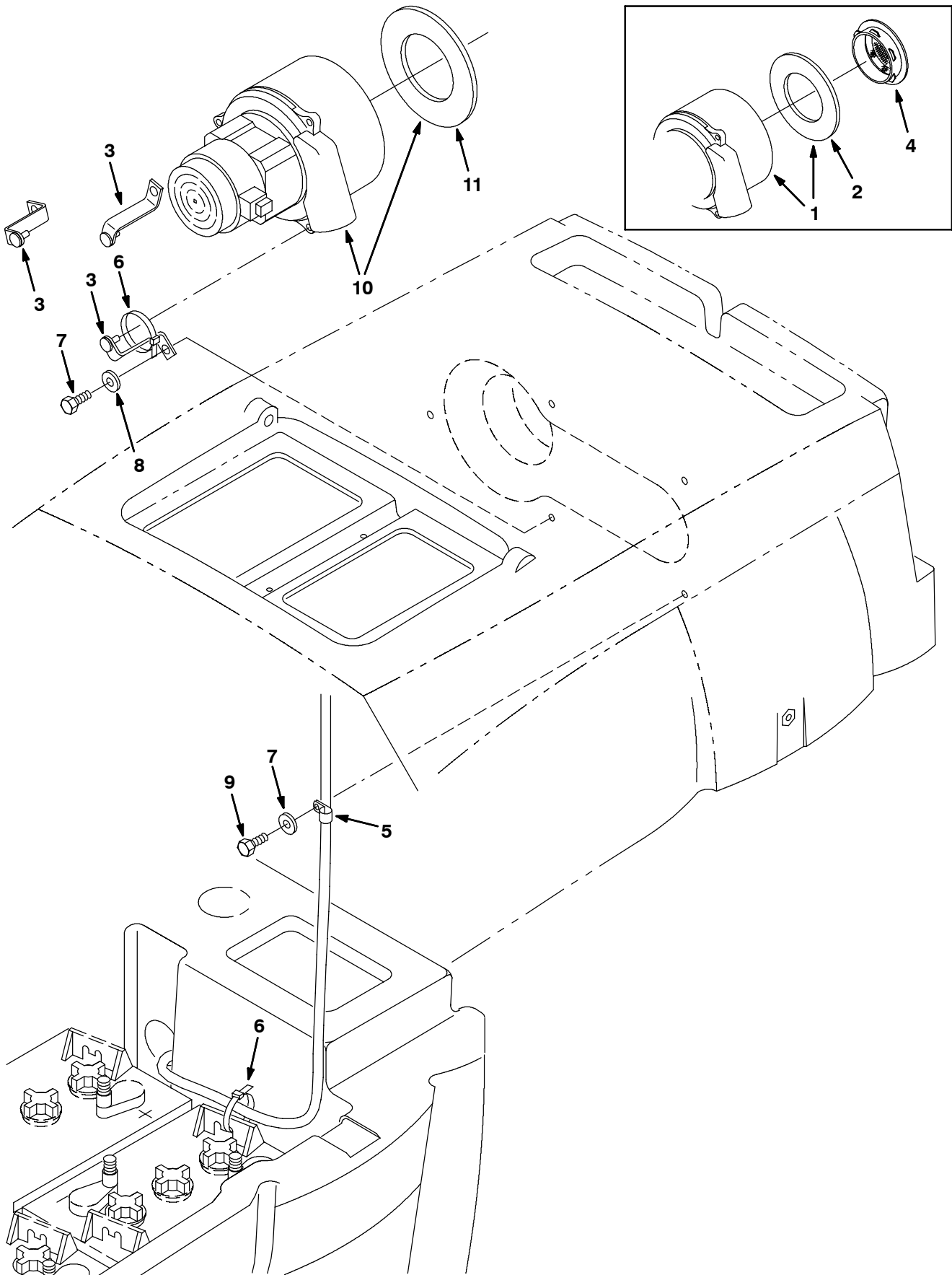


Fig. 21 - Vacuum Fan Group

	Ref.	Part No.	Serial Number	Description	Qty.
▽	1	17363	(000000-020343)	Fan, Vac (See Breakdowns)	1
▲	2	223264	(000000-020343)	Seal, Vac Fan	1
	3	222122	(000000-) Bracket, Mounting, Vac Fan	3
	4	370114	(000000-006955)	Filter, Vac Fan 5700, Field Kit	1
	5	40678	(000000-) Clamp-Cable, 0.44D 0.62W	1
	6	49266	(000000-) Tie, Cable 1.75D Max 7.50Lg	2
	7	09740	(000000-) Scr-Hexssm 8X1.25 20	3
	8	01685	(000000-) Washer, Flat, 0.38b 0.88d .08, Ss	4
	9	15675	(000000-) Scr Hexssm 8X1.25 16	1
▽	10	398520	(020344-) Fan Assy, Vacuum (See Breakdowns)	1
▲	11	223264	(020344-) Seal, Vac Fan	1

Fig. 22 - Solution Control Group

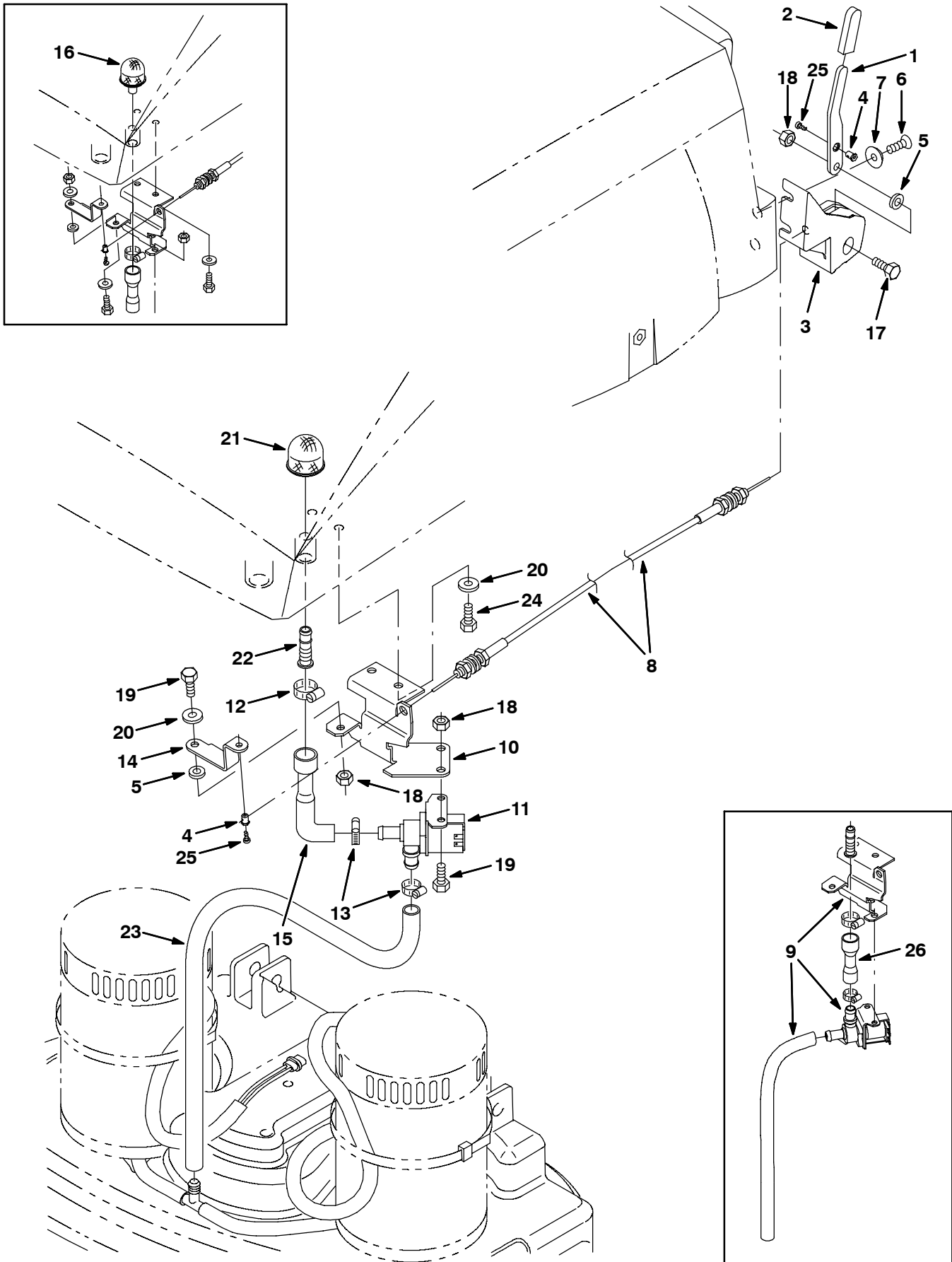


Fig. 22 - Solution Control Group

Ref.	Part No.	Serial Number	Description	Qty.
1	222185	(000000-) Lever, Control	1
2	222190	(000000-) Grip, Handle	1
3	222186	(000000-) Housing, Control Lever	1
4	43242	(000000-) Swivel	2
5	43454	(000000-) Washer, .344B .69D .06Nylon	2
6	222463	(000000-) Scr-Flt M 8X1.25 20 Blk Nyloc	2
7	222466	(000000-) Washer, Finish M8 Blk	2
8	222188	(000000-) Cable Assy, Water	1
9	374132	(000000-019082) Kit, Ci, Sol Valve [5700]	1
10	397787	(019083-) Bracket, Mtg, Valve	1
11	374752	(019083-) Valve, Solenoid	1
12	63810	(000000-) Clamp, Hose, Wormdrive, 0.56-1.06d, .56w	1
13	54333	(000000-) Clamp-Wormdrive, 0.31- 0.88D	2
14	222097	(000000-) Lever, Valve	1
15	397777	(000000-) Hose, Rbr, E90, .62ld 0.81ld	1
16	222812	(000000-002491) Replm Kit, Screen	1
17	09011	(000000-) Scr Hexssm 8X1.25 30	1
18	08713	(000000-) Nut-Hxlocnyln M 8X1.25 Reg Ss	4
19	09740	(000000-) Scr-Hexssm 8X1.25 20	3
20	01685	(000000-) Washer, Flat, 0.38b 0.88d .08, Ss	3
21	222742	(002492-) Screen, Drain	1
22	222728	(002492-) Ftg Str Plastic	1
23	374753	(019083-) Hose, Pvc	1
24	15675	(019083-) Screw, Hex, M08 X 1.25 X 16, Ss	2
25	32515	(019083-) Screw, Pan, #08 -32 X 0.38	2
26	222090	(000000-019082) Hose, Rbr, Pinch Valve	1

Fig. 23 - Battery Group

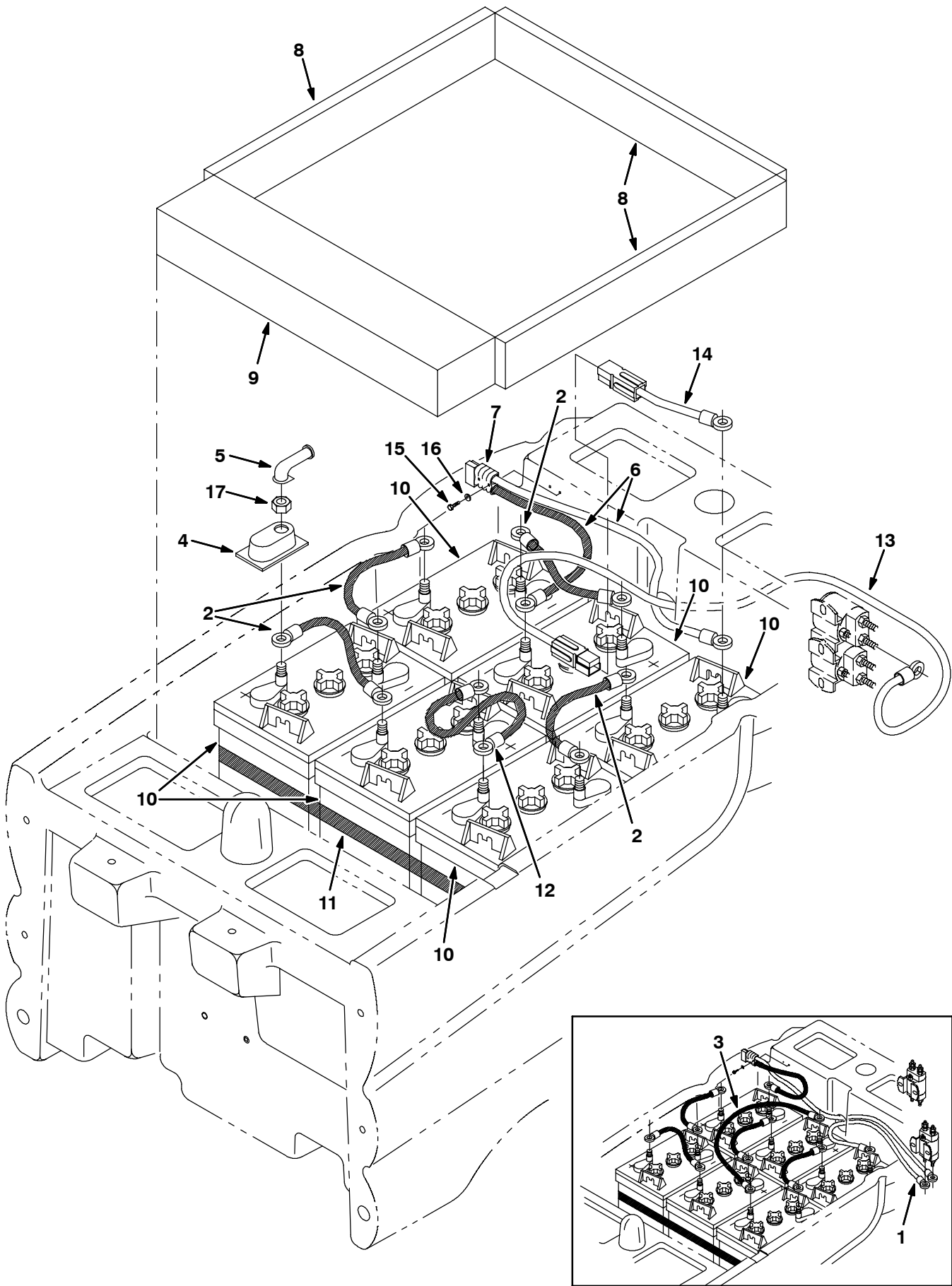


Fig. 23 - Battery Group

Ref.	Part No.	Serial Number	Description	Qty.	
1	222218	(000000-021999)	Cable, Battery	1	
2	63735	(000000-	Cable Assy-Lead, 11.0, 6Ga	4	
3	222510	(000000-019704)	Cable, Battery	1	
4	45962	(000000-	Cover, Terminal,Poly	12	
5	02076	(000000-	Boot, 90Deg .50D .57X .84	12	
▽	6	222217	(000000-	Harness, Cable, Battery	1
▲	7	24881	(000000-	Connector, Grey, SB50	1
▽		222778	(000000-	Battery Kit 36V 235Ah Wet	1
▲	8	222473	(000000-	Spacer, Battery .62X1.5X21.0	3
▲	9	222474	(000000-	Spacer, Battery 3.0X4.3X21.0	1
▲	10	222280	(000000-	Battery, 6V, Res Cap: 129 Wet	6
	11	222682	(000000-	Strap, Poly, Webbing, 100" L	1
	12	63735	(019705-	Cable Assy-Lead, 11.0, 6Ga	1
	13	397907	(022000-	Wire Assy, Cable, 4ga, Red	1
	14	397908	(022000-	Wire Assy, Cable, 4ga, Red	1
	15	06922	(000000-	Screw, Pan, M3 X 0.5 X 20, 4.8	2
	16	01757	(000000-	Washer, Lock, Int, M3 Ss	2
	17	87435	(000000-	Nut, Hex, Flexlock, .31-18	12

Fig. 24 - Steering Control Group

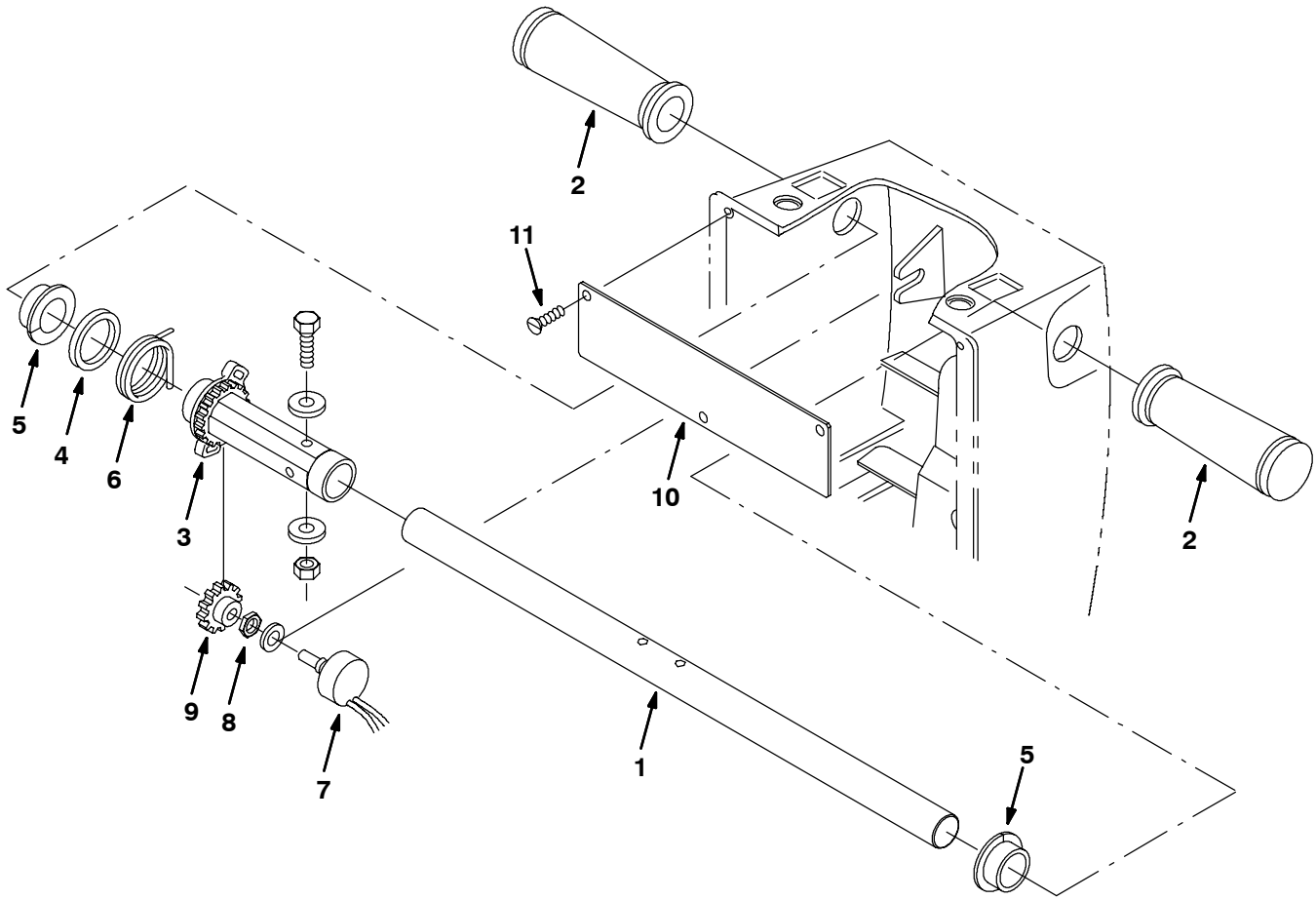


Fig. 24 - Steering Control Group

Ref.	Part No.	Serial Number	Description	Qty.
1	222740	(000000-) Handle, Speed Control	1
2	222648	(000000-) Grip, Handle, Round	2
3	222079	(000000-) Gear, Speed Control	1
4	222501	(000000-) Washer, Spacer, Speed Control	1
5	49514	(000000-) Bearing, Snap .875 Bore	2
6	222081	(000000-) Spring, Torsion Centering	1
7	222287	(000000-) Potentiometer Assy, Electronic	1
8	222607	(000000-) Nut-Hx Thin .38-32	1
9	27974	(000000-) Gear, 28 T. 24P	1
10	222083	(000000-) Plate, Shield	1
11	222465	(000000-) Scr-Flt M3x0.5 6 SS18-8	2

Fig. 25 - Operator Console Group (000000-017945)

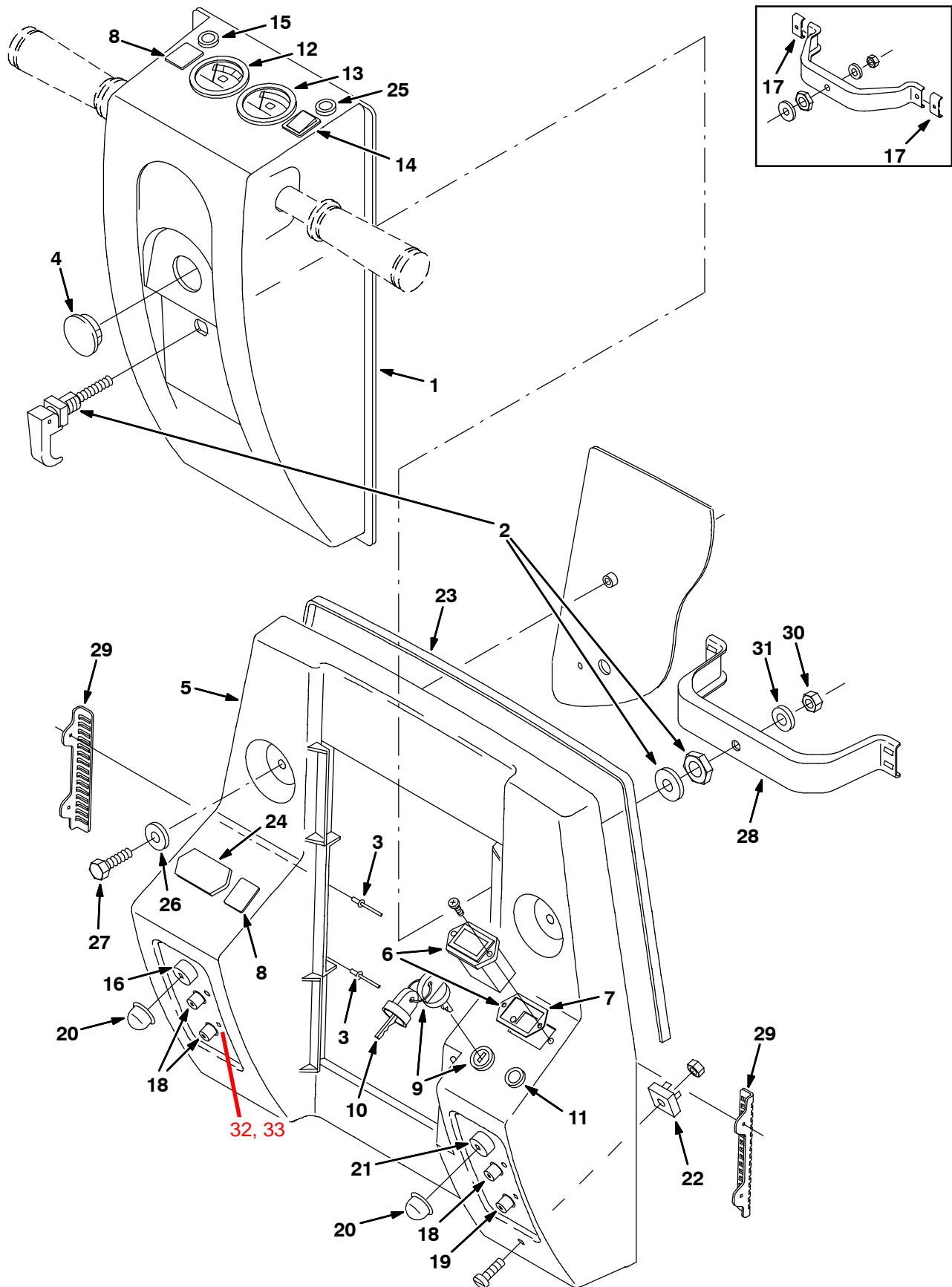


Fig. 25 - Operator Console Group (000000-017945)

Ref.	Part No.	Serial Number	Description	Qty.	
1	222714	(000000-017945)	Housing, Steering, Adj, Std, w/Label	1	
2	222225	(000000-017945)	Latch	1	
3	34738	(005151-017945)	Rivet, Pop, .125D X .32 X .25Dhd	4	
4	76888	(000000-017945)	Plugbtn 1.25H .12 Max Blacknyl	1	
5	222801	(000000-017945)	Replm Kit, Rear Panel	1	
▽	6	222114	(000000-017945)	Gauge, Hourmeter, Electronic	1
▲	7	222683	(000000-017945)	Gasket, Hourmeter	1
	8	222534	(000000-017945)	Plug, Switch	2
▽	9	222282	(000000-017945)	Switch Assy, Key Spst	1
▲	10	222684	(000000-017945)	Key Set	1
	11	374121	(000000-017945)	Light Assy, Indicator, Green, 36Vdc	1
	12	222216	(000000-017945)	Meter, Volt, Battery Condition	1
	13	222215	(000000-017945)	Meter, Brush Down Pressure	1
	14	222116	(000000-017945)	Switch, Scrub	1
	15	374122	(000000-017945)	Light Assy, Indicator, Red, 36Vdc	1
	16	57164	(000000-017945)	Breaker-Circuit 10 Resetable	1
	17	222679	(000000-002267)	Strip, Stop, Adj. Shroud	2
	18	222296	(000000-017945)	Breaker, Circuit 20 Amp	3
	19	222297	(000000-017945)	Breaker, Circuit, 25 Amp	1
	20	57751	(000000-017945)	Boot-Circuit Breaker	2
	21	87583	(000000-017945)	Breaker-Circuit 2.5 Resetable	1
	22	10962	(000000-017945)	Diode, Bridge 12 Amp	1
	23	222639	(000000-017945)	Seal, Rbr, .12 X .38 X 36.0	1
	24	609969	(000000-017945)	Plug, Hole, Hourmeter, Blk	1
	25	374123	(000000-017945)	Light Assy, Indicator, Blue, 36Vdc	1
	26	30013	(000000-017945)	Washer-Flt .31 Fender Pltd	2
	27	09010	(000000-017945)	Scr Hexssm 8X1.25 25	2
	28	222747	(002268-017945)	Bracket, Locking, Shroud	1
	29	222879	(005151-017945)	Bracket, Steering Adjustment	2
	30	39311	(005151-017945)	Nut, Hex, Std, M8 X 1.25	1
	31	41141	(005151-017945)	Washer, Lock, Int-ext, 0.31	1
	32	25006	(000000-017945)	Screw, Pan, #08-32 x 0.88, G1	8
	33	19065	(000000-017945)	Washer, Flat, #08	8

Fig. 26 - Operator Console Group (017946-)

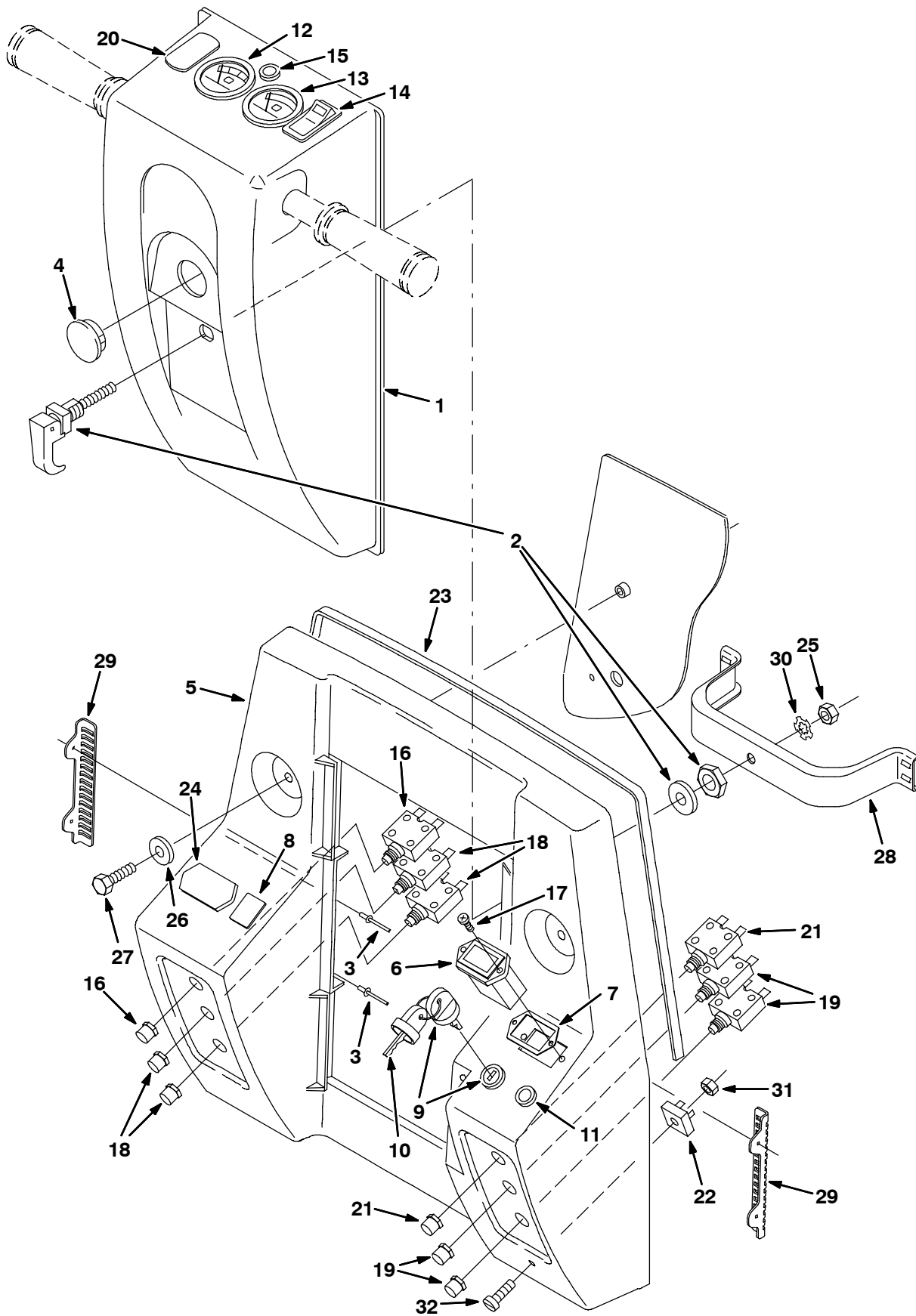


Fig. 26 - Operator Console Group (017946-)

Ref.	Part No.	Serial Number	Description	Qty.	
1	369761	(017946-) Kit, Shroud And Label, Std	1	
2	222225	(017946-) Latch	1	
3	34738	(017946-) Rivet, Blind, .125D X 0.32 X .25D, Stl	4	
4	76888	(017946-) Button, Plug, 1.25H .00-.12 [Black Nyl]	1	
5	368590	(017946-) Kit, Ci, Rplmt, Rear Panel	1	
▽	6	222114	(017946-021999) Gauge, Hourmeter	1	
▲	7	222683	(017946-021999) Gasket, hourmeter	1	
	6	377324	(022000-024592) Gauge Kit, Hourmeter, F/31988 [10k]	1	
	6	377433	(024593-) Gauge, Hourmeter, 12-80vdc, Analog,Rt,.1	1
	7	222683	(022000-) Gasket, hourmeter	1
	8	222534	(017946-) Button, Plug, 1.1 X 1.1H [Black Nyl]	1
▽	9	222282	(017946-) Switch	1
▲	10	222684	(017946-) Key, Set Of Two	1
	11	374121	(017946-) Lamp Assy, Indicator, Green, 36Vdc	1
	12	222216	(017946-) Gauge, Voltmeter, 27-40Vdc 2.2D	1
	13	222215	(017946-) Gauge,Brush Pressure 2.25	1
	14	398506	(017946-) Switch, Rocker, Dpst	1
	15	374122	(017946-) Lamp Assy, Indicator, Red, 36Vdc	1
	16	383721	(017946-) Circuitbreaker, 10.0A	1
	17	222267	(017946-) Screw, Pan, #06-20 X 0.50, Fmg	2
	18	383723	(017946-) Circuitbreaker, 20.0A	2
	19	383724	(017946-) Circuitbreaker, 25.0A	2
	20	398501	(017946-) Switch, Rocker, Hole Plug	1
	21	383720	(017946-) Circuitbreaker, 5.0A	1
	22	10962	(017946-) Diode, Bridge 12 Amp	1
	23	222639	(017946-) Seal, Rbr, .12 X .38 X 36.0	1
	24	609969	(017946-) Plug, Hole, Hourmeter, Blk	1
	25	39311	(017946-) Nut, Hex, Std, M08 X 1.25	1
	26	30013	(017946-) Washer-Flt .31 Fender Pltd	2
	27	39310	(017946-) Scr Hexssm 8X1.25 25	2
	28	222747	(017946-) Bracket, Locking, Shroud	1
	29	222879	(017946-) Bracket, Steering Adjustment	2
	30	41141	(017946-) Washer, Lock, Int-Ext, .31	1
	31	06549	(017946-) Nut, Hex, Lock, M05 X 0.8, NI	1
	32	06934	(017946-) Screw, Pan, M05 X 0.8 X 20, 4.8	1

Fig. 27 - Electrical Panel Group (000000-021999)

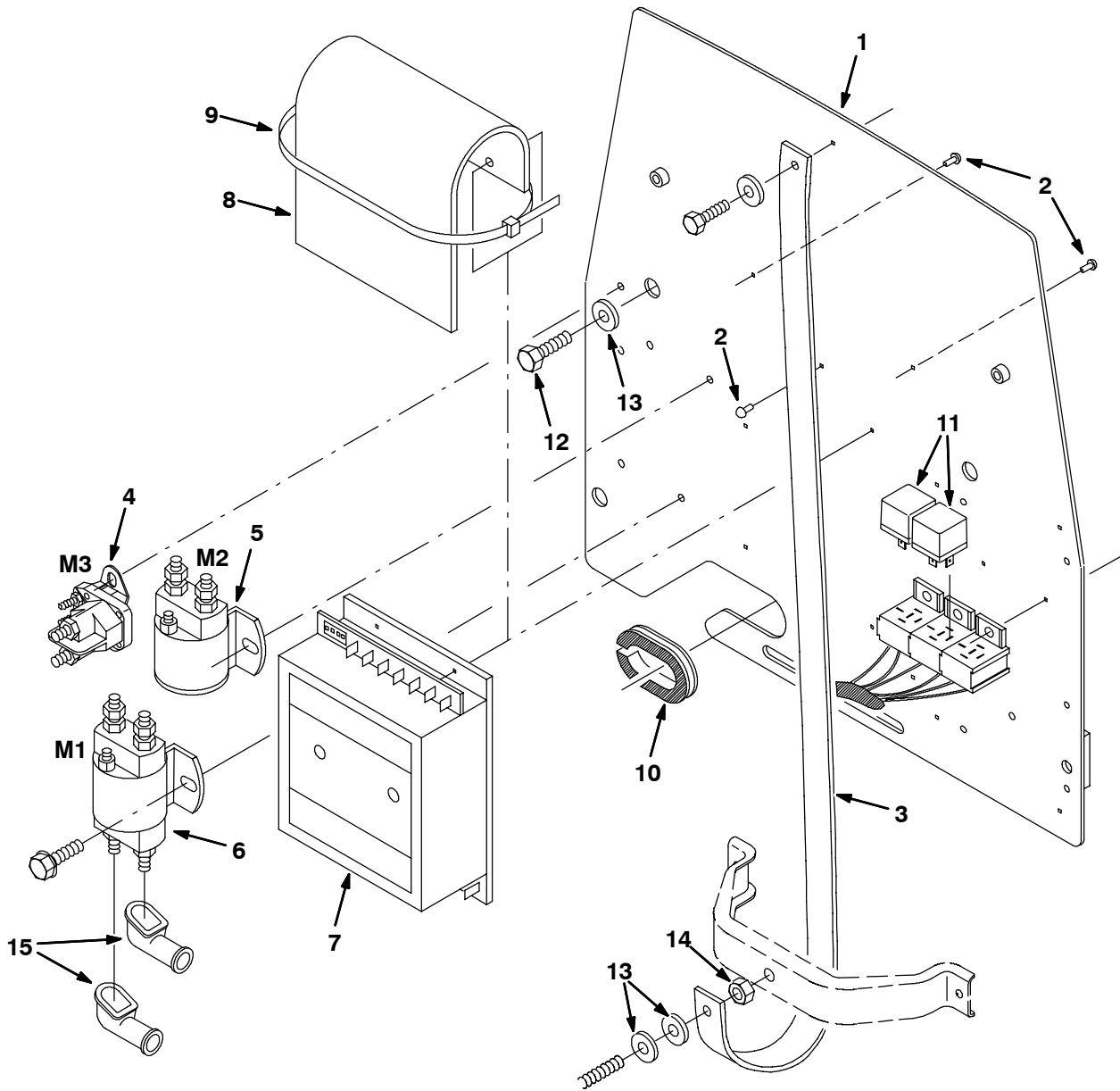


Fig. 27 - Electrical Panel Group (000000-021999)

Ref.	Part No.	Serial Number	Description	Qty.
1	222495	(000000-021999)	Plate Wldt, Electronics	1
2	222589	(000000-021999)	Clip, Canoe	3
3	222450	(000000-021999)	Strap, Lanyard	1
4	386810	(000000-021999)	Contacto, 36Vdc	1
5	45405	(000000-021999)	Contacto, 36Vdc	1
6	63291	(000000-021999)	Contacto, Power	1
7	222220	(000000-021999)	Controller, Propel	1
8	222580	(000000-021999)	Guard, Splash, Curtis Board	1
9	44961	(000000-021999)	Tie, Cable 4.00 Max 14.50Lg	2
10	10632-13	(000000-021999)	Grommet,Rbr,1.50ld,For .19Matl	1
11	398526	(000000-021999)	Relay, 36Vdc, 9A, Spdt	2
12	12333	(000000-021999)	Scr-Hexssm 8X1.25 25 Nyloloc	4
13	01685	(000000-021999)	Washer, Flat, 0.38b 0.88d .08, Ss	6
14	39311	(000000-021999)	Nut, Hex, Std, M08 X 1.25	1
15	02076	(000000-021999)	Boot, 90Deg .50D .57X .84	2

Fig. 28 - Electrical Panel Group (022000-)

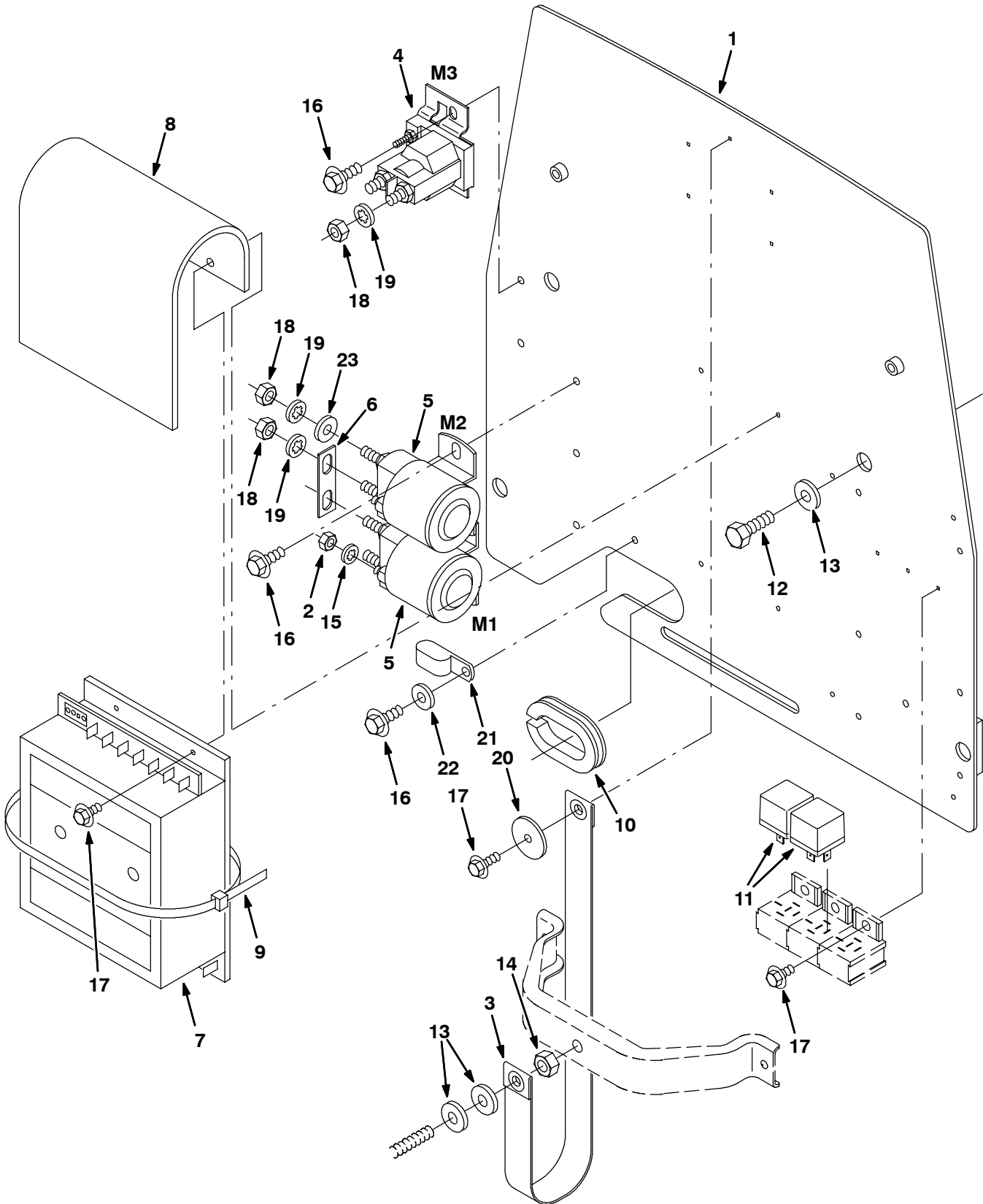


Fig. 28 - Electrical Panel Group (022000-)

Ref.	Part No.	Serial Number	Description	Qty.
1	1007732	(022000-) Plate Wldt, Ele, [5700]	1
2	01713	(022000-) Nut, Hex, Std, #10-32, 2	2
3	222450	(022000-) Strap, Lanyard	1
4	386810	(022000-) Contactor, 36Vdc	1
5	45405	(022000-) Contactor, 36Vdc	2
6	769251	(022000-) Busbar, .06 0.6w 2.1l 2/.34x.63slot	1
7	222220	(022000-) Controller, Propel	1
8	222580	(022000-) Guard, Splash, Curtis Board	1
9	44961	(022000-) Tie, Cable 4.00 Max 14.50Lg	2
10	10632-13	(022000-) Grommet,Rbr,1.50ld,For .19Matl	1
11	398526	(022000-) Relay, 36Vdc, 9A, Spdt	2
12	12333	(022000-) Scr-Hexssm 8X1.25 25 Nyloloc	4
13	01685	(022000-) Washer, Flat, 0.38b 0.88d .08, Ss	6
14	39311	(022000-) Nut, Hex, Std, M08 X 1.25	1
15	32980	(022000-) Washer, Lock, Int, #10	2
16	222158	(022000-) Screw, Hex, M 6 X 1.0 X 10, Fmg	6
17	16944	(022000-) Screw, Hex, M 4 X 0.7 X 10, Fmg	7
18	20170	(022000-) Nut, Hex, Jam, .31-24	6
19	32984	(022000-) Washer, Lock, Int, .31	6
20	41178	(022000-) Washer, Flat, 0.25 Fender	1
21	1009318	(022000-) Clamp, Cable, Stl, 0.6x1.2x0.75w, 1h	1
22	32490	(022000-) Washer, Flat, 0.25 Std	1
23	39349	(022000-) Washer, Flat, 0.31 Sae	2

Fig. 29 - Squeegee Lift Group

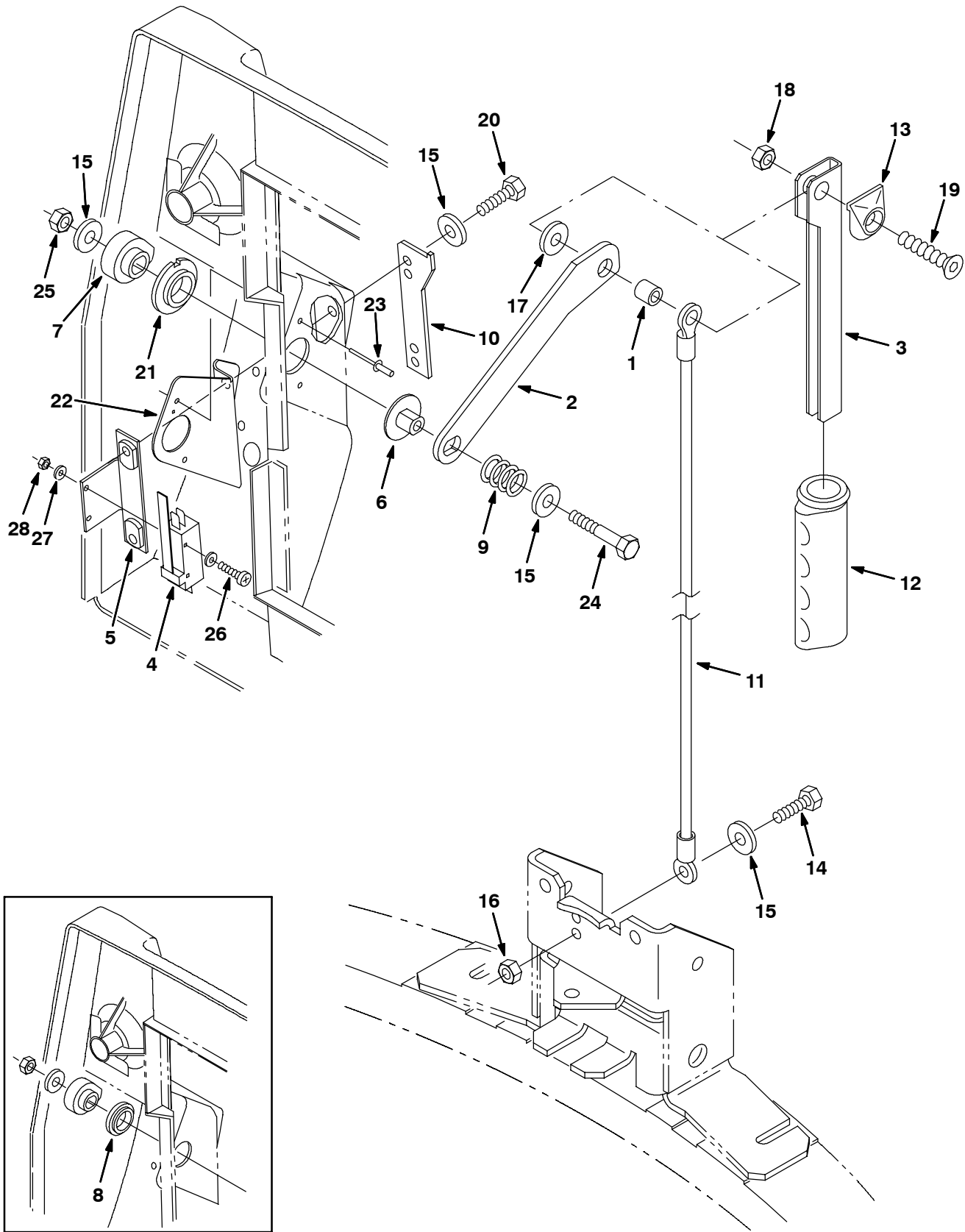


Fig. 29 - Squeegee Lift Group

Ref.	Part No.	Serial Number	Description	Qty.
1	222460	(000000-) Sleeve	1
2	222139	(000000-) Lever, Squeegee Lift	1
3	222448	(000000-) Lever, Squeegee Lift, Upper	1
4	1008142	(000000-) Switch, Snap Actn, 250vdc 25a Spdt	1
5	222402	(000000-) Bracket, Fan Switch	1
6	374745	(000000-) Pivot, Squeegee Lift	1
7	222400	(000000-) Cam, Fan Switch	1
8	222799	(000000-004130) Replm Kit, Squeegee Pivot	1
9	57889	(000000-) Sprng,Comp,0.59ldx.05Wire 0.6L	1
10	222138	(000000-) Bracket, Catch	1
11	222227	(000000-) Cable, Squeegee Lift	1
12	222647	(000000-) Grip, Handle [Oblong]	1
13	222665	(000000-) Bumper, Handle	1
14	15678	(000000-) Screw Hexssm 6X1.0	1
15	01684	(000000-) Washer Flt .25 Ss	5
16	08712	(000000-) Nut Hxlocnyln M 6X1.0 Reg Ss	1
17	01685	(000000-) Washer, Flat, 0.38b 0.88d .08, Ss	1
18	08713	(000000-) Nut-Hxlocnyln M 8X1.25 Reg18-8	1
19	79506	(000000-) Scr-Flt M 8X1.25 30 Ss18-8	1
20	11329	(000000-) Screw Hexssm 6X1.0 16 Nylonloc	2
21	222868	(004131-) Bearing, Flange	1
22	222867	(004131-) Plate, Squeegee Pivot	1
23	34738	(004131-) Rivet, Pop-.125D X .32 X .25Dhd St	2
24	06948	(000000-) Screw, Hex, M06 X 1.0 X 45, 8.8	1
25	08708	(000000-) Nut, Hex, Lock, M06 X 1.0, NI	1
26	06923	(000000-) Screw, Pan, M3 X 0.5 X 25, 4.8	2
27	01757	(000000-) Washer, Lock, Int, M3 Ss	2
28	01754	(000000-) Nut, Hex, Std, M3 X 0.5, 8	2

Fig. 30 - Squeegee Linkage Group

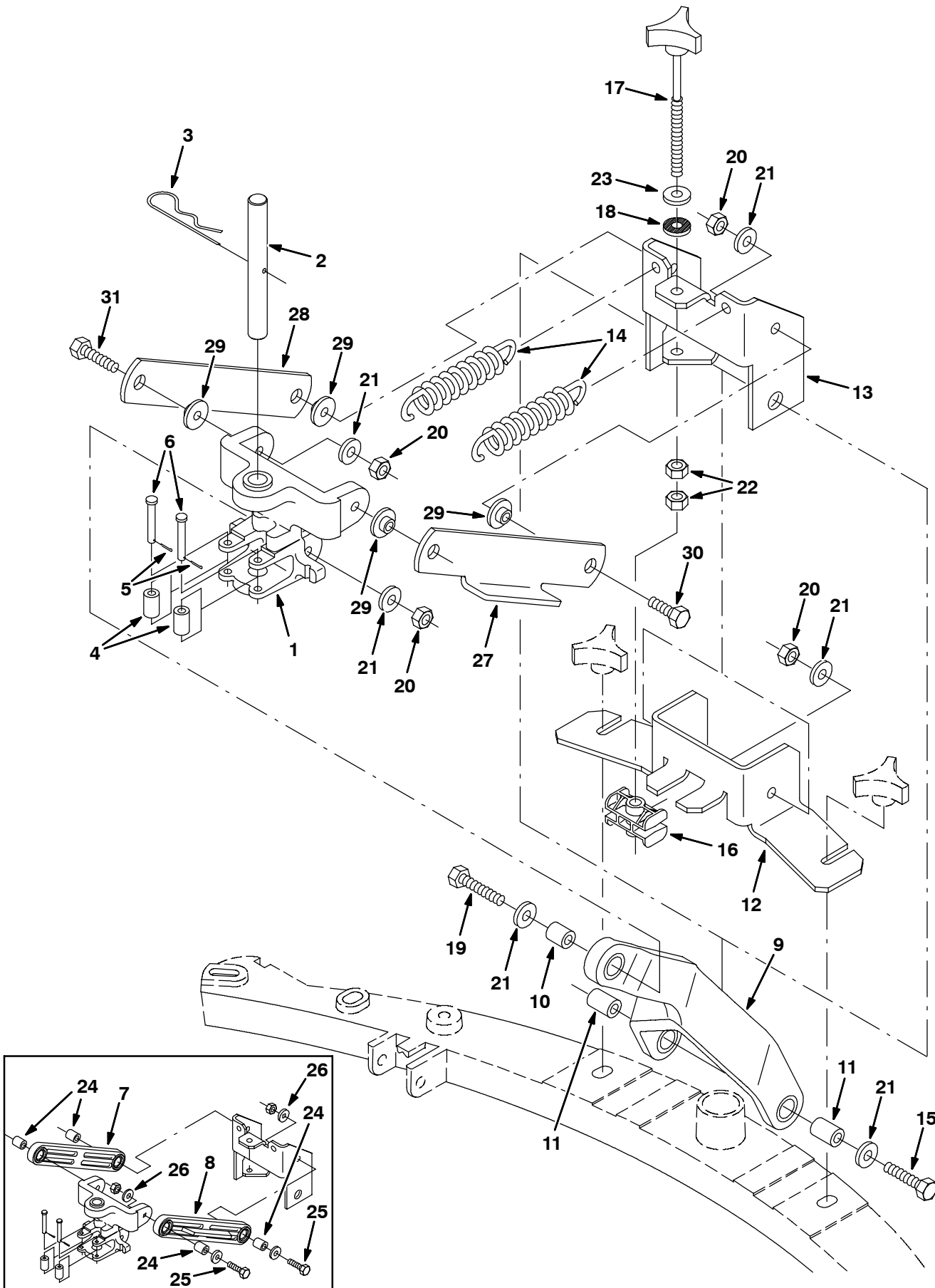


Fig. 30 - Squeegee Linkage Group

Ref.	Part No.	Serial Number	Description	Qty.
1	222399	(000000-) Block, Pivot, Machined	1
2	222239	(000000-) Pin, Pivot Block	1
3	02942	(000000-) Pin,Hair Cotter .12Wire 2.37SI	1
4	222468	(000000-) Roller, Sqge Centering	2
5	08178	(000000-) Pin, Cotter .062X0.75	2
6	05283	(000000-) Pin, Clevis 6 Dia X 40 Lg	2
7	9002780	(000000-024302) Link Kit, Sqge, F/222235, Replmt	1
8	9002781	(000000-024302) Link Kit, Sqge, F/222486, Replmt	1
9	222234	(000000-) Link, Squeegee Lift, Lower	1
10	222248	(000000-) Sleeve, .344B .62D.72 Bronze	1
11	222277	(000000-) Sleeve, .344B .62D.93 Bronze	2
12	222230	(000000-) Bracket, Linkage, Lower	1
13	222231	(000000-) Bracket, Linkage, Upper	1
14	222236	(000000-) Spring, Tension	2
15	09026	(000000-) Scr Hexssm 8X1.25 40	2
16	222233	(000000-) Block, Squeegee, Adjust	1
17	222153	(000000-) Knob, W/M8 1.25X125Lg Stud	1
18	63416	(000000-) Washer, .31OB .88D .12Rbr	1
19	222505	(000000-) Scr Hexssm 8X1.25 45	1
20	08713	(000000-) Nut-Hxlocnyln M 8X1.25 Reg Ss	7
21	01685	(000000-) Washer, Flat, 0.38b 0.88d .08, Ss	10
22	07786	(000000-) Nut Hx Ss M 8X1.25	2
23	01686	(000000-) Washer Flt .38 Ss	1
24	222248	(000000-024302) Sleeve, .344B .62D.72 Bronze	4
25	222505	(000000-024302) Scr Hexssm 8X1.25 45	4
26	01685	(000000-024302) Washer, Flat, 0.38b 0.88d .08, Ss	4
27	1018718	(024303-) Link, Sqge, Upper, Lh	1
28	397820	(024303-) Link, Sqge, Upper	1
29	80950	(024303-) Bushing, Flng, 0.32b 0.50d 0.24l, Bnz	4
30	09010	(024303-) Screw, Hex, M8 X 1.25 X 25, Ss	2
31	09023	(024303-) Screw, Hex, M8 X 1.25 X 35, Ss, Fl	2

Fig. 31 - Squeegee Tight-Aisle Group, 550 mm (22 in)

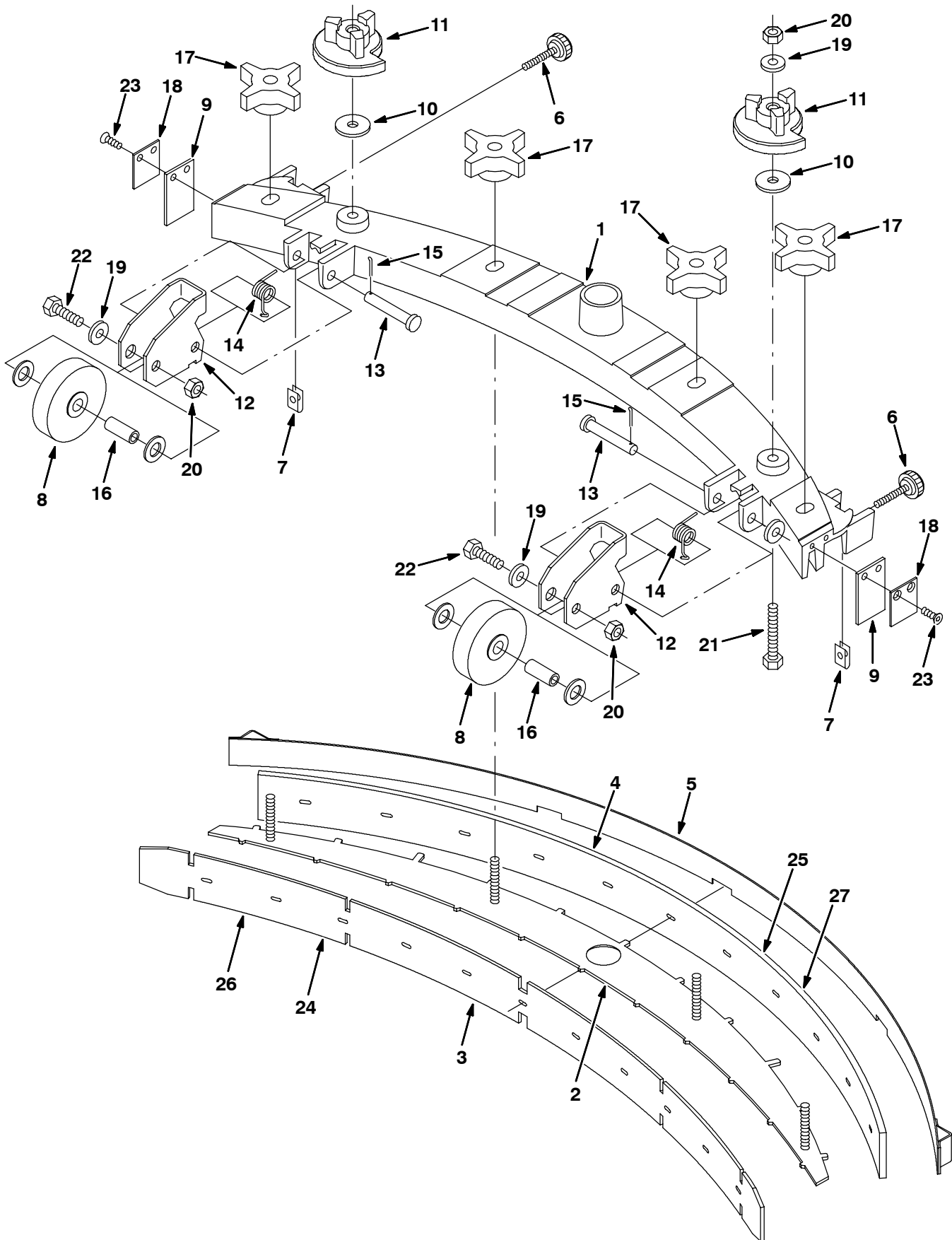


Fig. 31 - Squeegee Tight-Aisle Group, 550 mm (22 in)

Ref.	Part No.	Serial Number	Description	Qty.
▽	374032	(000000-) Squeegee Assembly, Tight-Aisle	1
▲	1 374033	(000000-) Frame, Sqge, Tight-Aisle	1
▲	2 374034	(000000-) Plate, Blade Retainer, Tight-Aisle	1
▲	3 374035	(000000-) Blade, Squeegee,Front, Tight-Aisle	1
▲	4 374036	(000000-) Blade, Squeegee,Rear, Tight-Aisle	1
▲	5 374037	(000000-) Band Wldt, Sqge, Tight-Aisle	1
▲	6 222794	(000000-) Knob, W1.25-20X1.5Lg Stud	2
▲	7 82138	(000000-) Nut Speed,Retainer, .25-20 Thd	2
▲	8 222066	(000000-) Wheel, 3.0 Dia	4
▲	9 374039	(000000-) Blade, End, Sqge, Tight-Aisle	2
▲	10 222268	(000000-) Washer, .375B 1.25D .12Neopre	2
▲	11 222244	(000000-) Cam, Adj, Sqge	2
▲	12 222245	(000000-) Bracket, Mtg, Wheel	2
▲	13 222260	(000000-) Pin, Clevis, 0.37 Dia 2.25Lg	2
▲	14 222130	(000000-) Spring, Torsion, Wheel	2
▲	15 39005	(000000-) Pin, Cotter .094X0.75	2
▲	16 222497	(000000-) Sleeve	2
▲	17 370100	(000000-) Knob, 4 Prongs w/.31-8 Insert	4
▲	18 374040	(000000-) Retainer, Blade, End, Sqge, Tight-Aisle	2
▲	19 01685	(000000-) Washer, Flat, 0.38b 0.88d .08, Ss	6
▲	20 08713	(000000-) Nut-Hxlocnyln M 8X1.25 Reg Ss	4
▲	21 09767	(000000-) Scr Hexssm 8X1.25 70	2
▲	22 49694	(000000-) Scr Hex Ssm 8X1.25 50	2
▲	23 09120	(000000-) Scr Flt M 5X0.8 16	4
▽	374089	(000000-) Squeegee Kit F/Tile, Tight-Aisle	1
▲	24 374085	(000000-) Blade, Sqge, Front, Tight-Aisle, Tile	1
▲	25 374086	(000000-) Blade, Sqge, Rear, Tight-Aisle, Tile	1
▽	374090	(000000-) Squeegee Kit Oil Rs, Tight-Aisle	1
▲	26 374087	(000000-) Blade, Sqge, Front, Tight-Aisle, Oil Rst	1
▲	27 374088	(000000-) Blade, Sqge, Rear, Tight-Aisle, Oil Rst	1

Fig. 32 - Squeegee Group, Model 700, 700 mm (28 in)

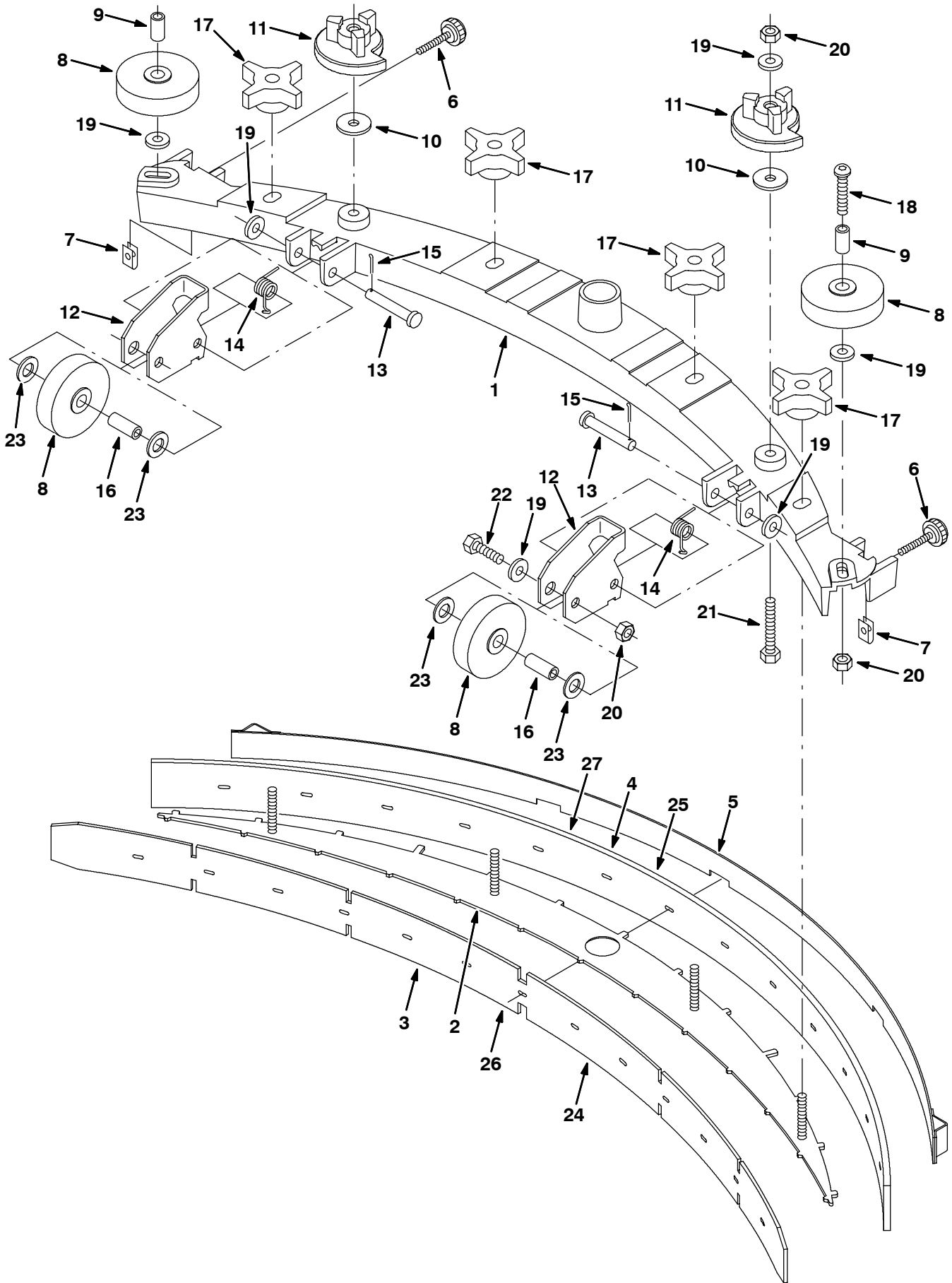


Fig. 32 - Squeegee Group, Model 700, 700 mm (28 in)

Ref.	Part No.	Serial Number	Description	Qty.
▽	397751	(000000-) Kit, Ci, Sqge, Assy, [5680/5700] [700]	1
▲	1 222131	(000000-) Frame, Sqge 28"	1
▲	2 222368	(000000-) Plate, Blade Retainer 28"	1
▲	3 222381	(000000-) Blade, Squeegee,Front, 28"	1
▲	4 222382	(000000-) Blade, Squeegee,Rear, 28"	1
▲	5 222378	(000000-) Band Wldt, Sqge 28	1
▲	6 222794	(000000-) Knob, W1.25-20X1.5Lg Stud	2
▲	7 82138	(000000-) Nut Speed,Retainer, .25-20 Thd	2
▲	8 222066	(000000-) Wheel, 3.0 Dia	4
▲	9 222496	(000000-) Sleeve	2
▲	10 222268	(000000-) Washer, .375B 1.25D .12Neopre	2
▲	11 222244	(000000-) Cam, Adj, Sqge	2
▲	12 222245	(000000-) Bracket, Mtg, Wheel	2
▲	13 222260	(000000-) Pin, Clevis, 0.37 Dia 2.25Lg	2
▲	14 222130	(000000-) Spring, Torsion, Wheel	2
▲	15 39005	(000000-) Pin, Cotter .094X0.75	2
▲	16 222497	(000000-) Sleeve	2
▲	17 370100	(000000-) Knob, 4 Prongs w/.31-8 Insert	4
▲	18 397826	(000000-) Screw, Btn, M8 X 1.25 X 40, Ss18-8	2
▲	19 01685	(000000-) Washer, Flat, 0.38b 0.88d .08, Ss	8
▲	20 08713	(000000-) Nut-Hxlocnyln M 8X1.25 Reg Ss	6
▲	21 09767	(000000-) Scr Hexssm 8X1.25 70	2
▲	22 49694	(000000-) Scr Hex Ssm 8X1.25 50	2
▲	23 32486	(000000-) Washer, Flt, .50 Sae	4
▽	222422	(000000-) Squeegee Kit, F/Tile Gumrbr700	1
▲	24 222385	(000000-) Blade, Squeegee, Tile 28"	1
▲	25 222387	(000000-) Blade, Squeegee, Rear, Gum 28"	1
▽	222428	(000000-) Squeegee Kit Oil Rs Urethan700	1
▲	26 222391	(000000-) Blade, Sqge, Front 28" Oil Rst	1
▲	27 222389	(000000-) Blade, Sqge, Rear 28"Oil Resis	1

Fig. 33 - Squeegee Group, Model 800, 800 mm (32 in)

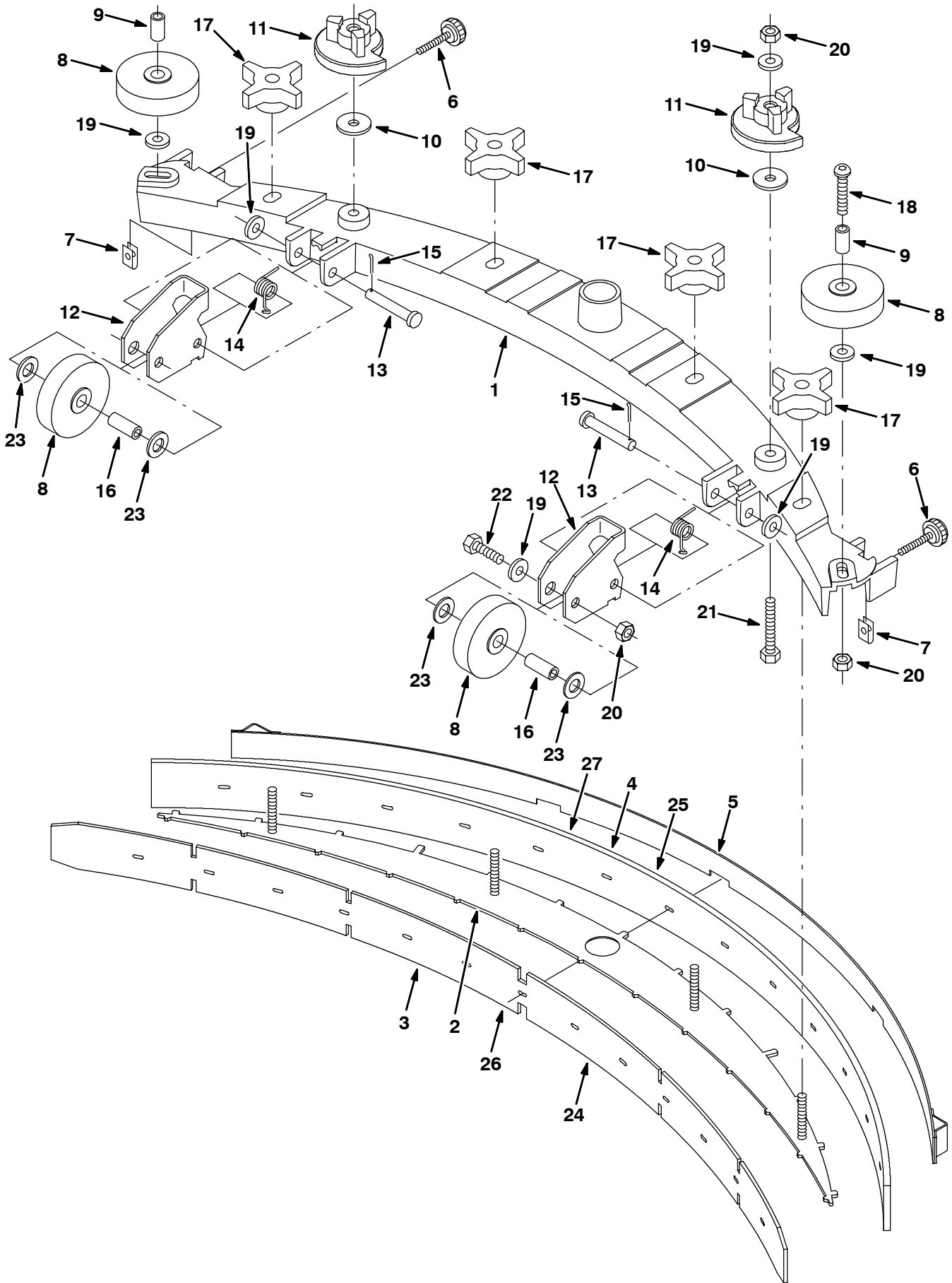


Fig. 33 - Squeegee Group, Model 800, 800 mm (32 in)

Ref.	Part No.	Serial Number	Description	Qty.
▽	397749	(000000-) Kit, Ci, Sqge, Assy, [5680/5700] [800]	1
▲	1 222134	(000000-) Frame, Squeegee 32"	1
▲	2 222240	(000000-) Plate, Blade Retainer 32	1
▲	3 222241	(000000-) Blade, Squeegee,Front, 32"	1
▲	4 222242	(000000-) Blade, Squeegee,Rear, 32"	1
▲	5 222243	(000000-) Band Wldt, Sqge 32	1
▲	6 222794	(000000-) Knob, W1.25-20X1.5Lg Stud	2
▲	7 82138	(000000-) Nut Speed,Retainer, .25-20 Thd	2
▲	8 222066	(000000-) Wheel, 3.0 Dia	4
▲	9 222496	(000000-) Sleeve	2
▲	10 222268	(000000-) Washer, .375B 1.25D .12Neopre	2
▲	11 222244	(000000-) Cam, Adj, Sqge	2
▲	12 222245	(000000-) Bracket, Mtg, Wheel	2
▲	13 222260	(000000-) Pin, Clevis, 0.37 Dia 2.25Lg	2
▲	14 222130	(000000-) Spring, Torsion, Wheel	2
▲	15 39005	(000000-) Pin, Cotter .094X0.75	2
▲	16 222497	(000000-) Sleeve	2
▲	17 370100	(000000-) Knob, 4 Prongs w/.31-8 Insert	4
▲	18 397826	(000000-) Screw, Btn, M8 X 1.25 X 40, Ss18-8	2
▲	19 01685	(000000-) Washer, Flat, 0.38b 0.88d .08, Ss	8
▲	20 08713	(000000-) Nut-Hxlocnyln M 8X1.25 Reg Ss	6
▲	21 09767	(000000-) Scr Hexssm 8X1.25 70	2
▲	22 49694	(000000-) Scr Hex Ssm 8X1.25 50	2
▲	23 32486	(000000-) Washer, Flt, .50 Sae	4
▽	222423	(000000-) Squeegee Kit F/Tile Gumrbr 800	1
▲	24 222384	(000000-) Blade, Squeegee, Tile, 32"	1
▲	25 222386	(000000-) Blade, Squeegee, Rear,Gum 32"	1
▽	222429	(000000-) Squeegee Kit Oil Rs Urethn 800	1
▲	26 222392	(000000-) Blade, Sqge Front,32" Oil Rst	1
▲	27 222388	(000000-) Blade, Sqge, Rear 32" Oil Resi	1

STANDARD PARTS

Fig. 34 - Squeegee Group, Model 900, 900 mm (36 in)

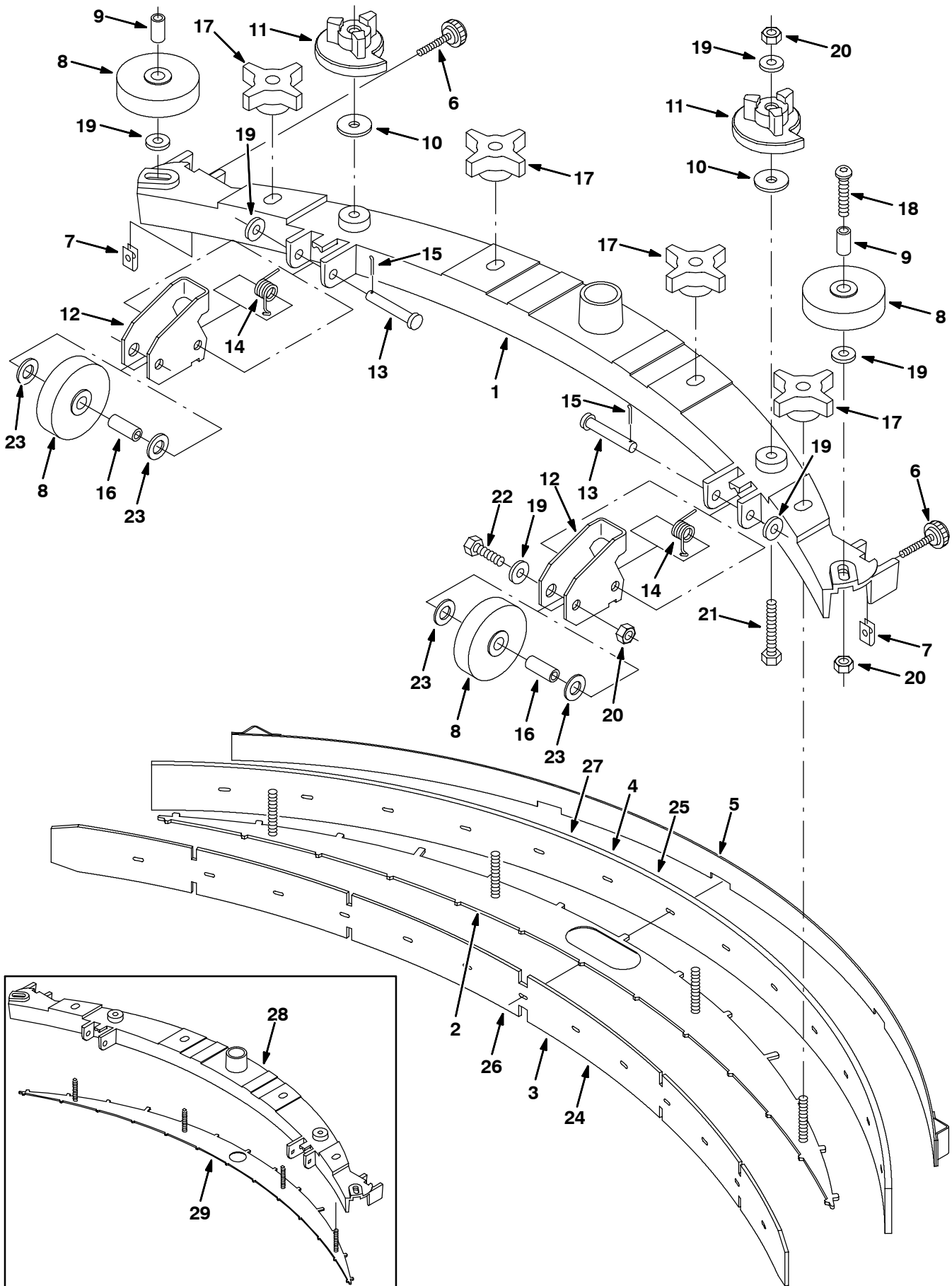
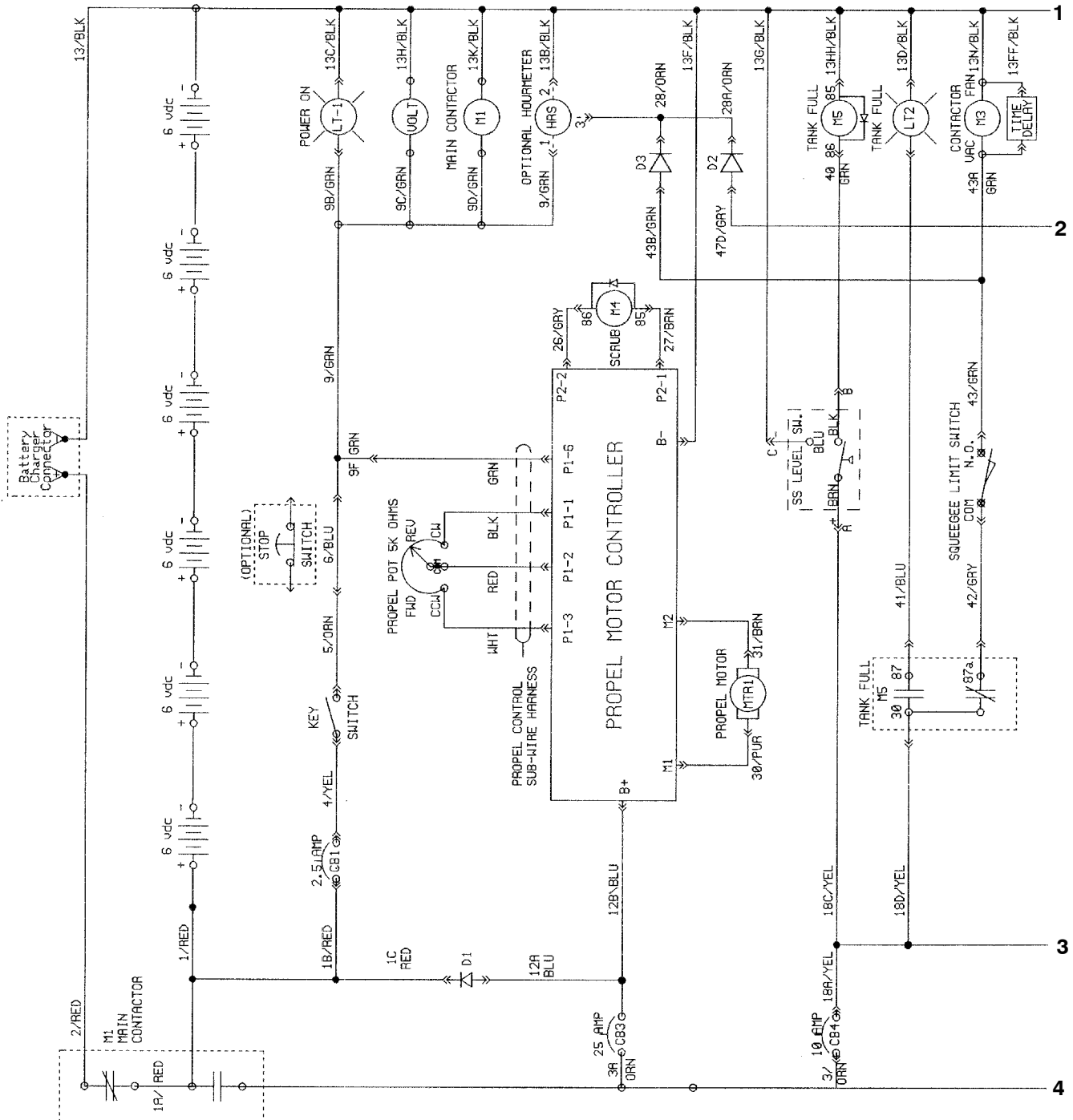


Fig. 34 - Squeegee Group, Model 900, 900 mm (36 in)

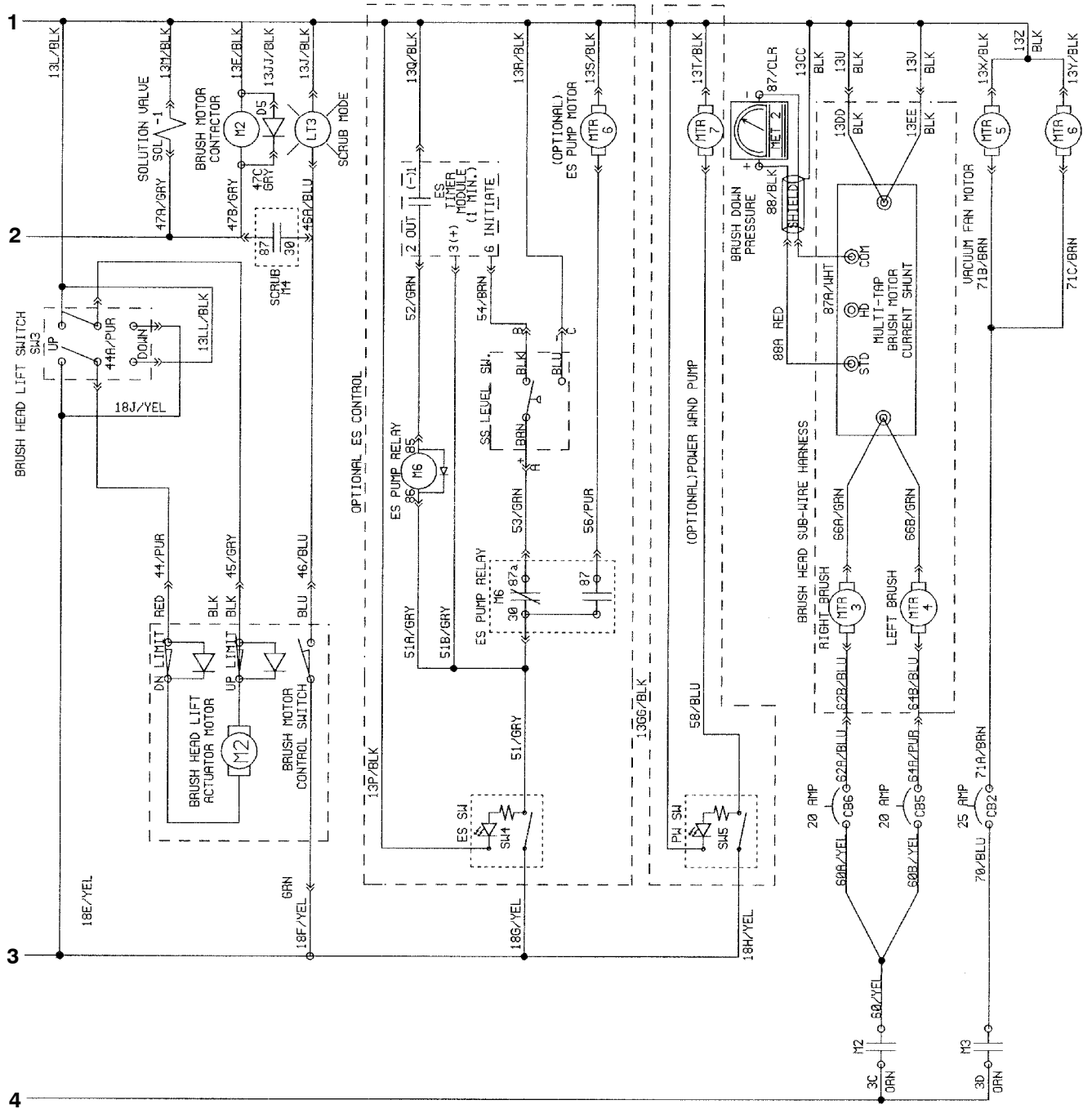
Ref.	Part No.	Serial Number	Description	Qty.
▽	397750	(000000-) Kit, Ci, Sqge, Assy, [5680/5700] [900]	1
▲	1 392206	(xxxxxx-) Frame, Squeegee 36"	1
▲	2 392211	(xxxxxx-) Plate, Blade Retainer 36"	1
▲	3 222413	(000000-) Blade, Squeegee,Front, 36"	1
▲	4 222415	(000000-) Blade, Squeegee,Rear, 36"	1
▲	5 222417	(000000-) Band Wldt, Sqge 36	1
▲	6 222794	(000000-) Knob, W1.25-20X1.5Lg Stud	2
▲	7 82138	(000000-) Nut Speed,Retainer, .25-20 Thd	2
▲	8 222066	(000000-) Wheel, 3.0 Dia	4
▲	9 222496	(000000-) Sleeve	2
▲	10 222268	(000000-) Washer, .375B 1.25D .12Neopre	2
▲	11 222244	(000000-) Cam, Adj, Sqge	2
▲	12 222245	(000000-) Bracket, Mtg, Wheel	2
▲	13 222260	(000000-) Pin, Clevis, 0.37 Dia 2.25Lg	2
▲	14 222130	(000000-) Spring, Torsion, Wheel	2
▲	15 39005	(000000-) Pin, Cotter .094X0.75	2
▲	16 222497	(000000-) Sleeve	2
▲	17 370100	(000000-) Knob, 4 Prongs w/.31-8 Insert	4
▲	18 397826	(000000-) Screw, Btn, M8 X 1.25 X 40, Ss18-8	2
▲	19 01685	(000000-) Washer, Flat, 0.38b 0.88d .08, Ss	8
▲	20 08713	(000000-) Nut-Hxlocnyln M 8X1.25 Reg Ss	6
▲	21 09767	(000000-) Scr Hexssm 8X1.25 70	2
▲	22 49694	(000000-) Scr Hex Ssm 8X1.25 50	2
▲	23 32486	(000000-) Washer, Flt, .50 Sae	4
▽	222424	(000000-) Squeegee Kit F/Tile Gumrbr 900	1
▲	24 222414	(000000-) Blade, Squeegee, Tile, 36"	1
▲	25 222416	(000000-) Blade, Squeegee, Rear Gum, 36"	1
▽	222433	(000000-) Squeegee Kit Oil Rs Urethn 900	1
▲	26 222434	(000000-) Blade, Sqge, Front, 36"Oil Rst	1
▲	27 222435	(000000-) Blade, Sqge, Rear 36" Oil Rst	1
	28 392221	(000000- xxxxxx)	Kit, Replmt, Sqge Frame, F/222411	1
	29 222412	(000000- xxxxxx)	Plate, Blade Retainer 36"	1

Fig. 35 - Electrical Schematic (000000-021999)



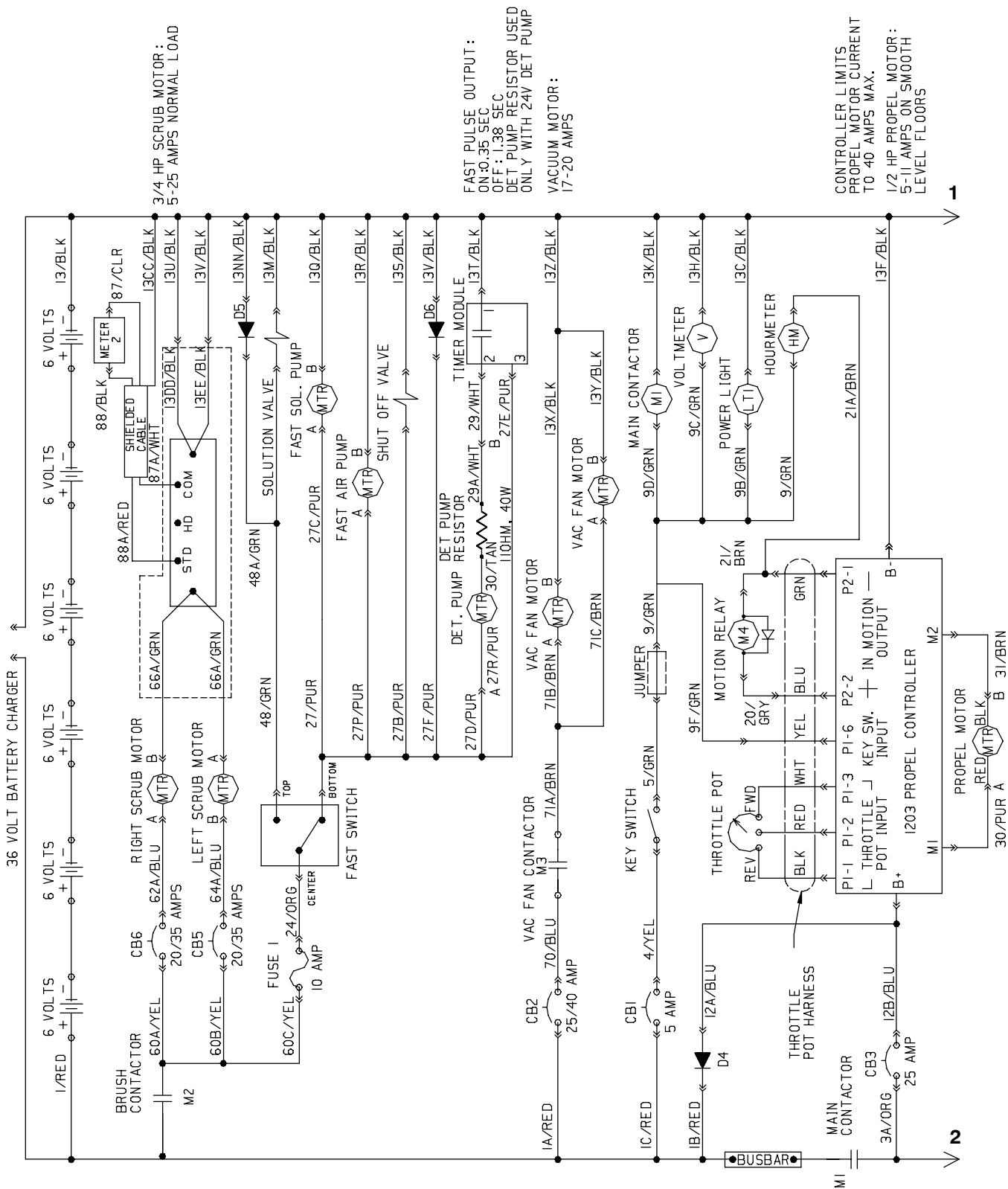
10282 - 5700, NA, JP, CE

Fig. 35 - Electrical Schematic (00000-021999)



10282 - 5700, NA, JP, CE

Fig. 36 - Electrical Schematic (022000-)

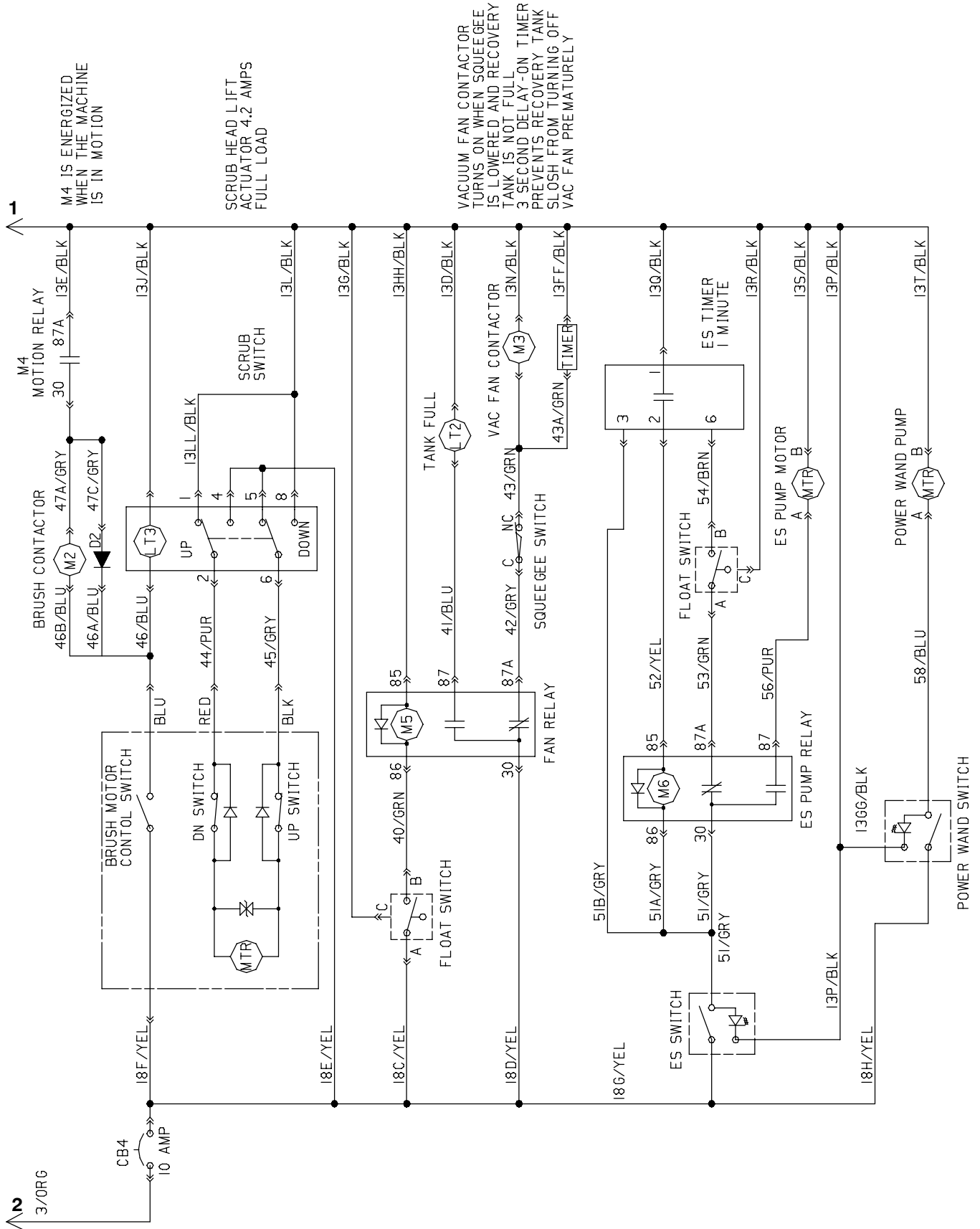


3/4 HP SCRUB MOTOR:
5-25 AMPS NORMAL LOAD

FAST PULSE OUTPUT:
ON: 0.35 SEC
OFF: 1.38 SEC
DET PUMP RESISTOR USED
ONLY WITH 24V DET PUMP
VACUUM MOTOR:
17-20 AMPS

CONTROLLER LIMITS
PROPTEL MOTOR CURRENT
TO 40 AMPS MAX.
1/2 HP PROPTEL MOTOR:
5-11 AMPS ON SMOOTH
LEVEL FLOORS

Fig. 36 - Electrical Schematic (022000-)



354040, 397904 - 5700, NA, JP, CE

Fig. 37 - Electrical Wire Harness Group (000000-021999)

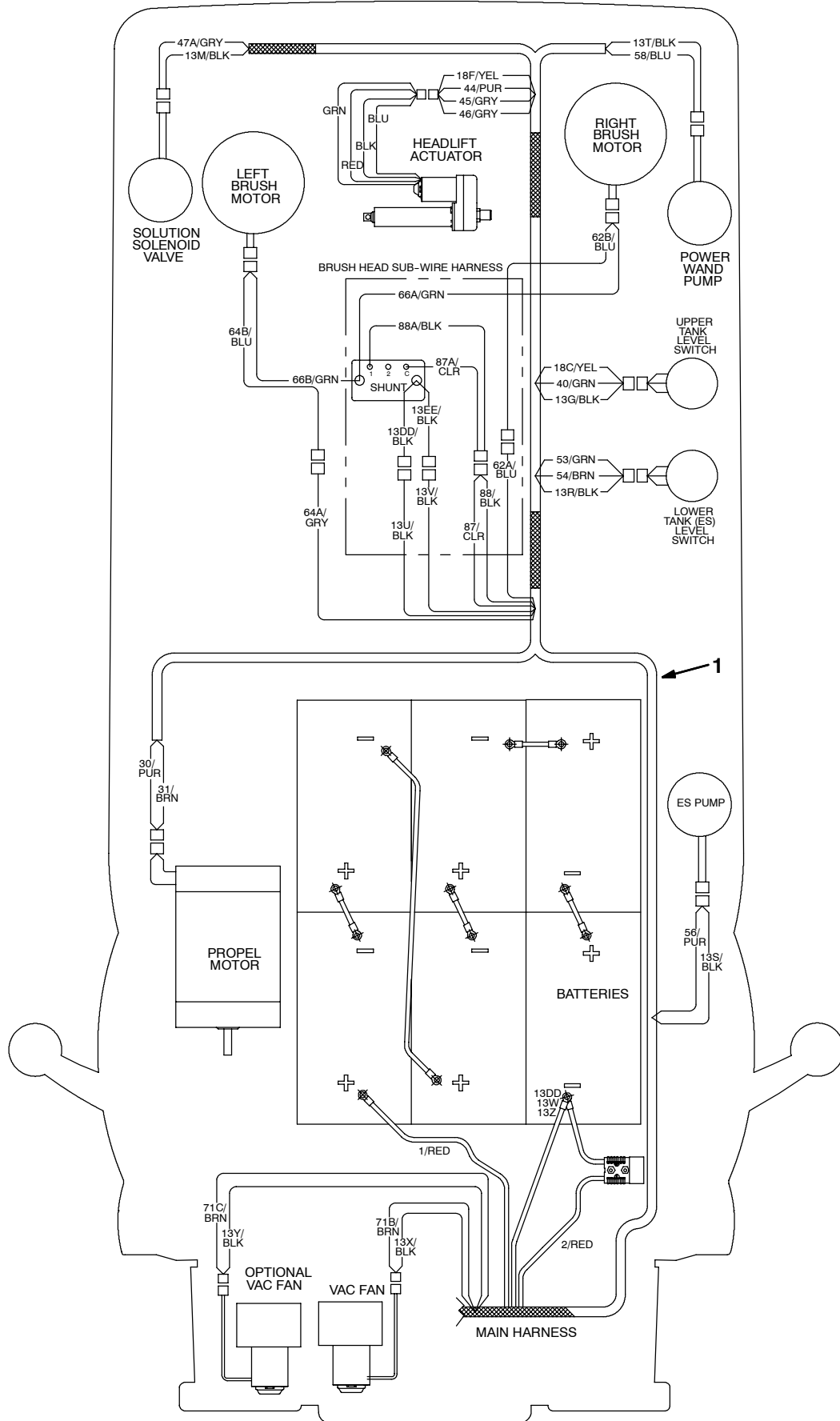


Fig. 37 - Electrical Wire Harness Group (000000-021999)

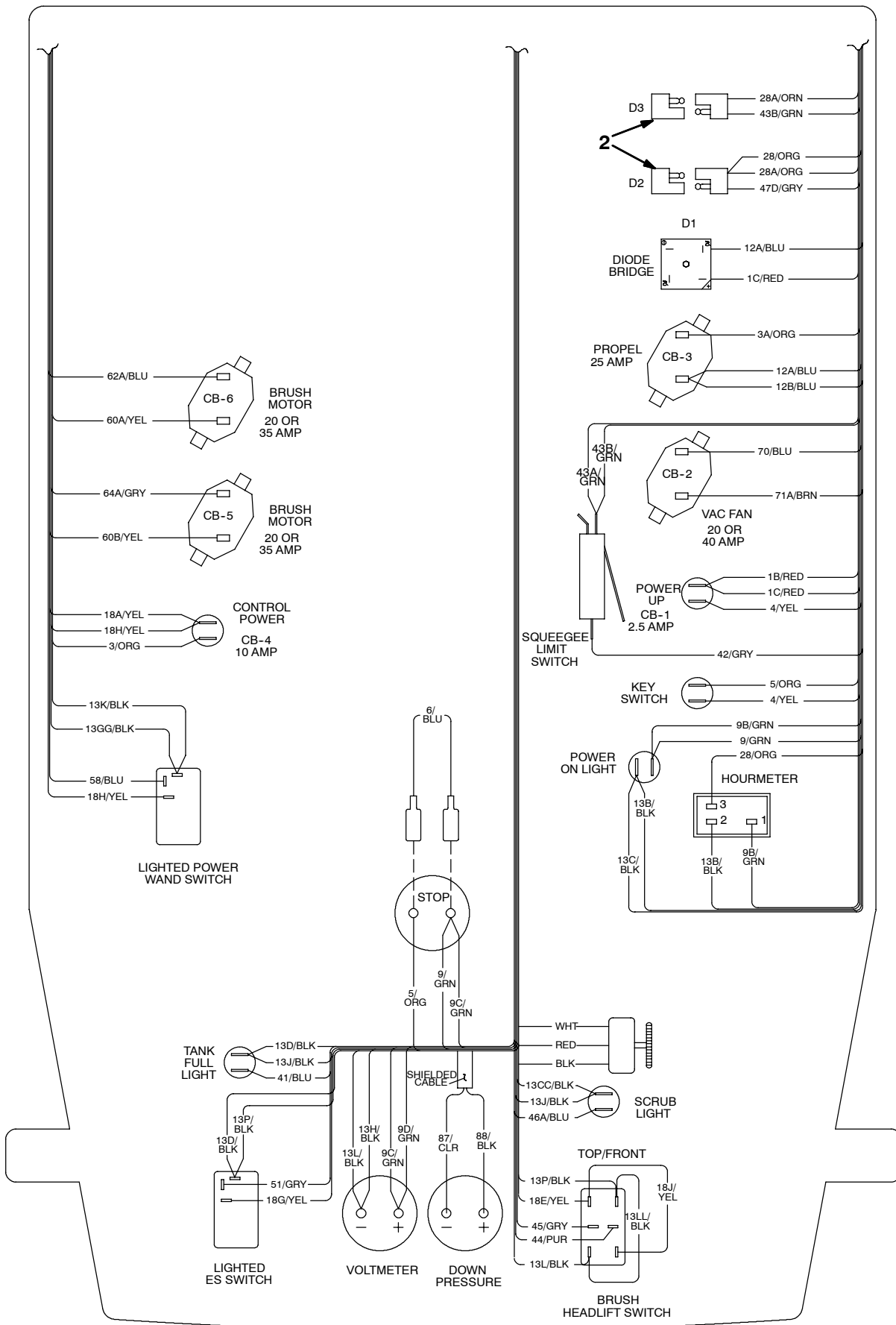
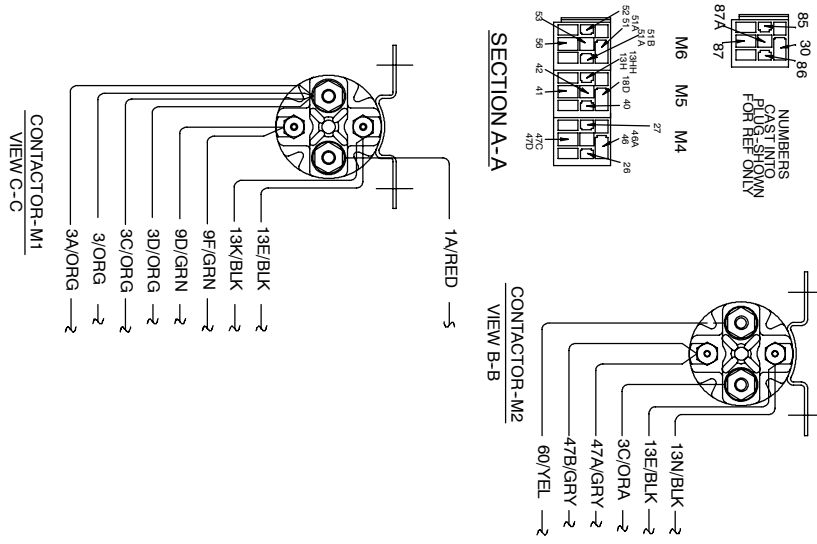
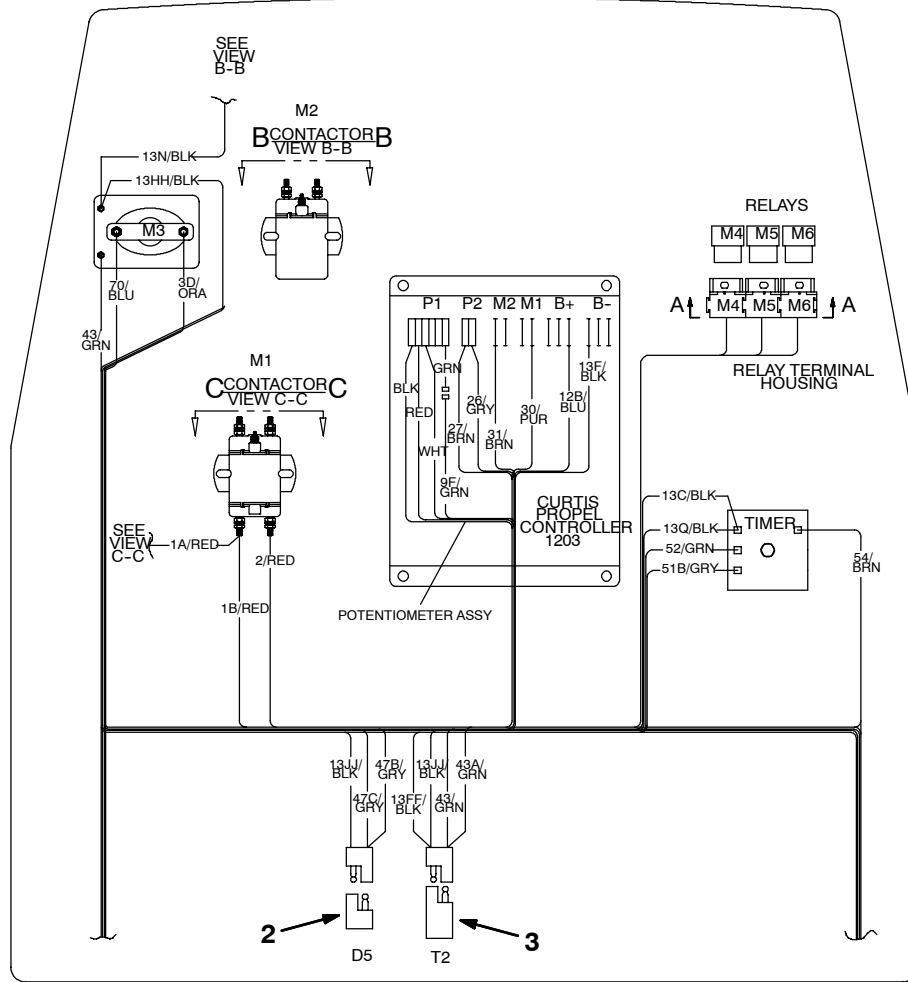


Fig. 37 - Electrical Wire Harness Group (000000-021999)



10243 - 5700, NA, JP, CE

Ref.	Part No.	Serial Number	Description	Qty.
1	222857	(000000-017945)	Harness, Main, Std	1
1	398504	(017946-021999)	Harness, Main, Std	1
2	222290	(000000-021999)	Diode, Elec, Plug	3
3	222707	(000000-021999)	Capacitor, Molded	1
	222666	(000000-021999)	Clamp, Ribbon Cable	1

Fig. 38 - Electrical Wire Harness Group (022000-)

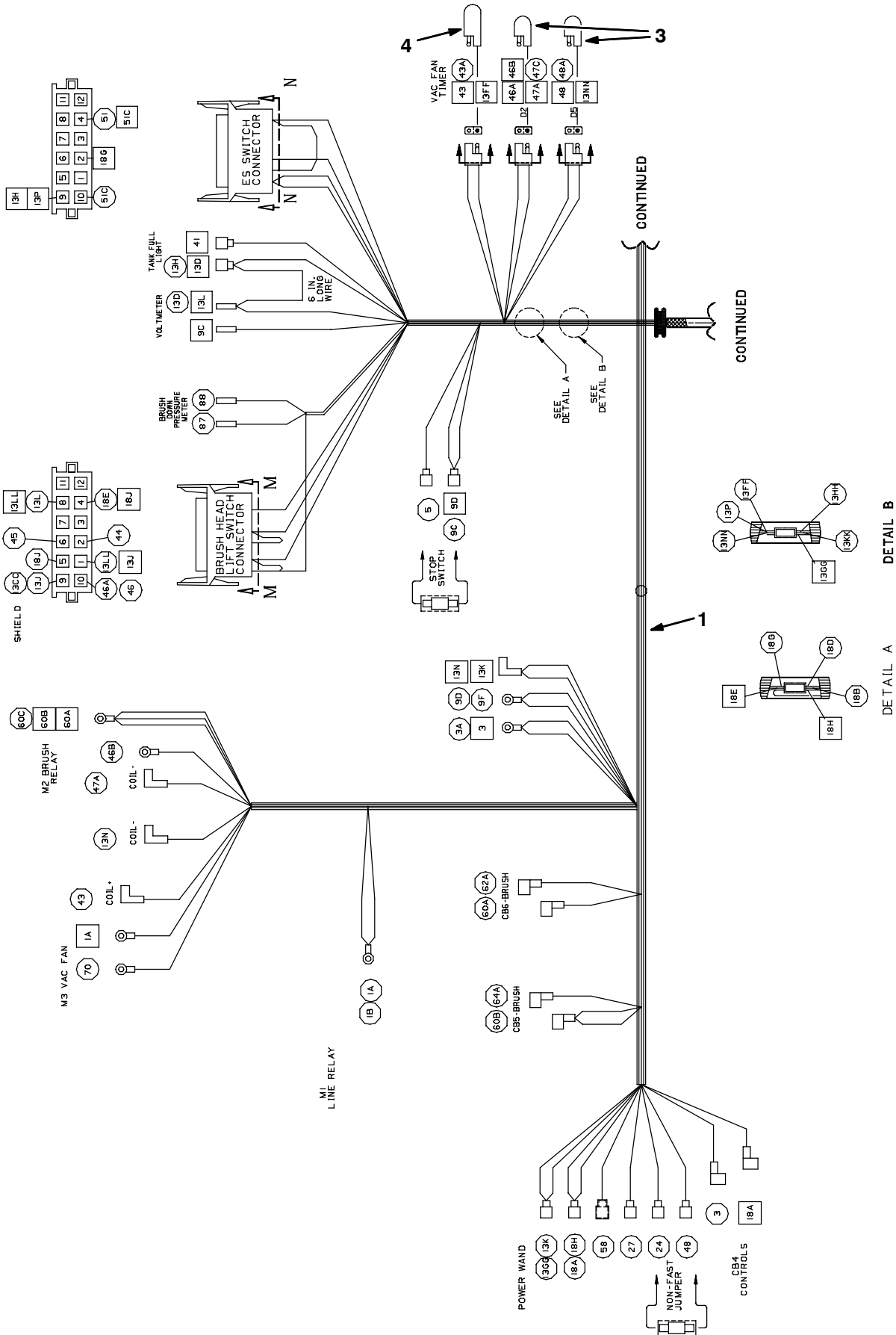


Fig. 38 - Electrical Wire Harness Group (022000-)

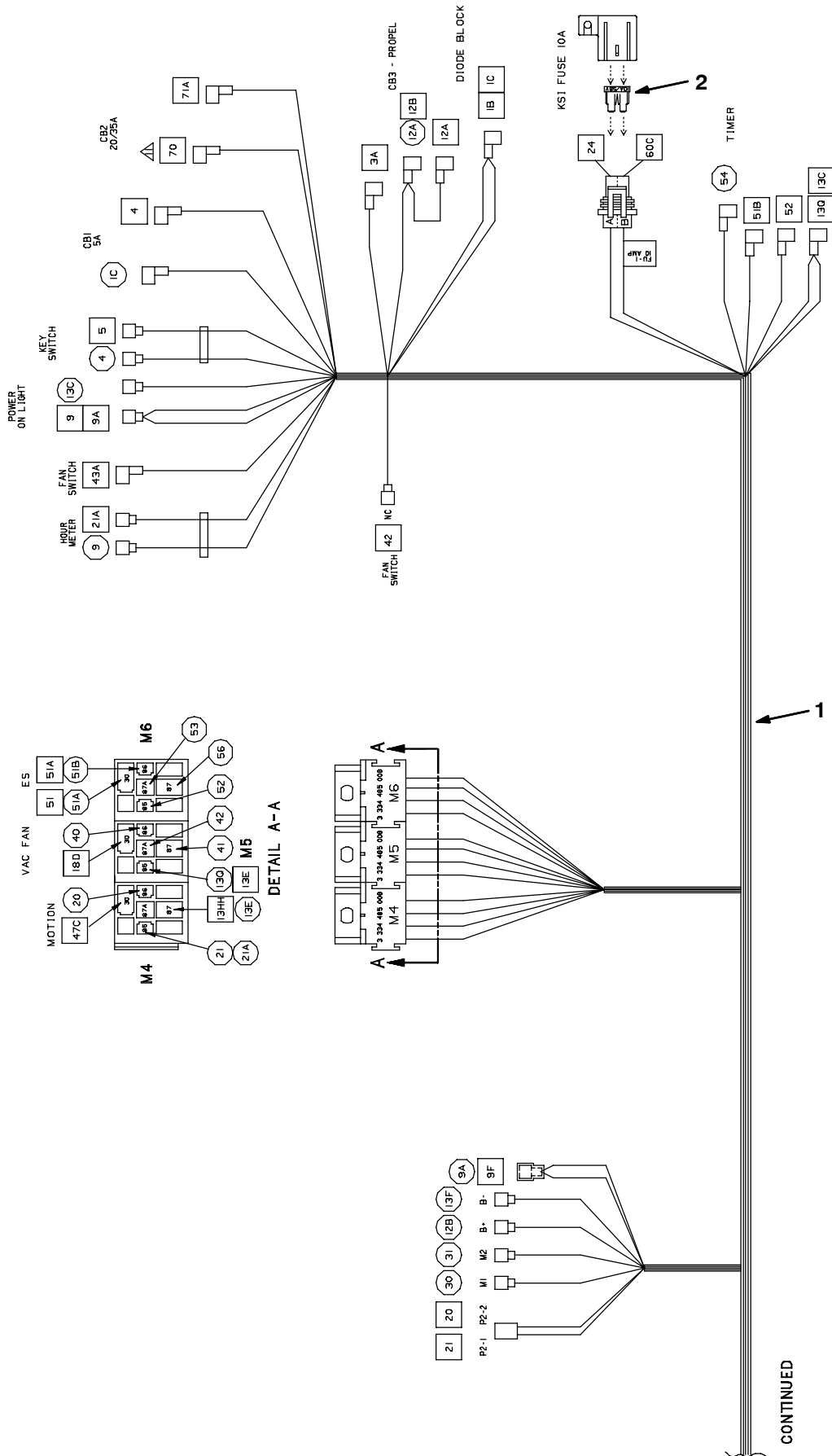


Fig. 38 - Electrical Wire Harness Group (022000-)

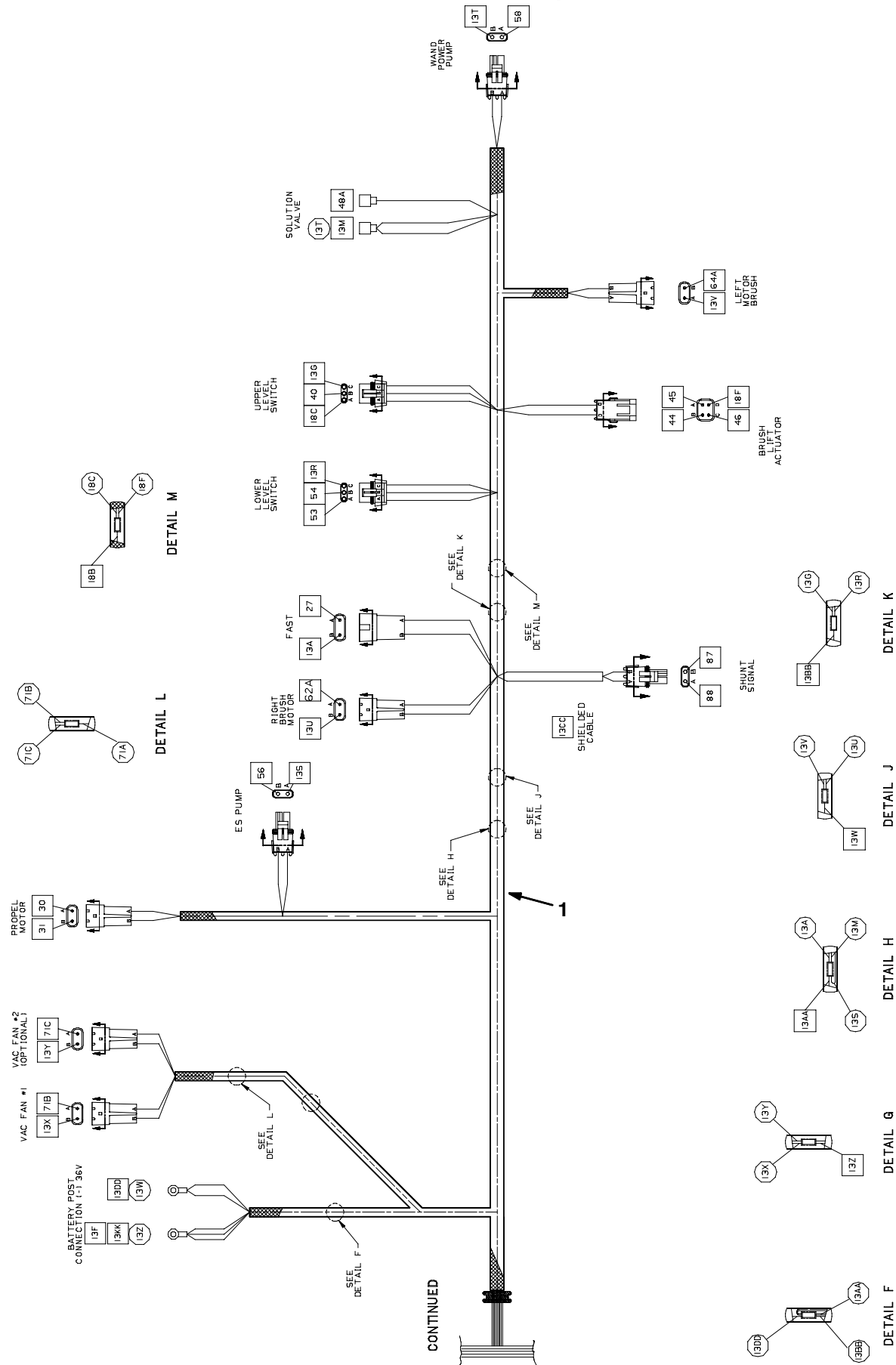
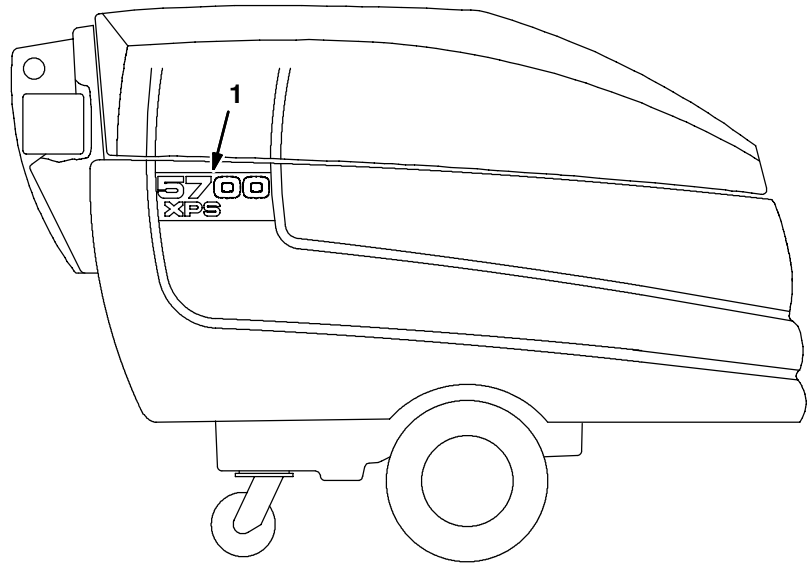
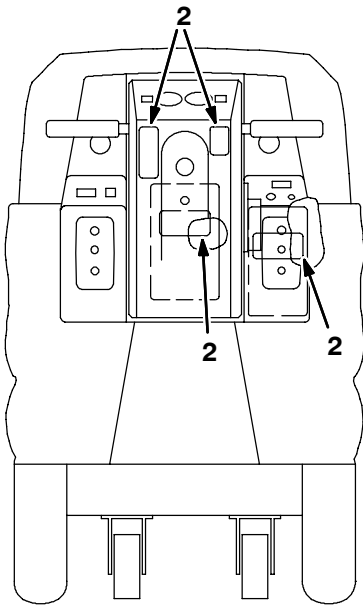
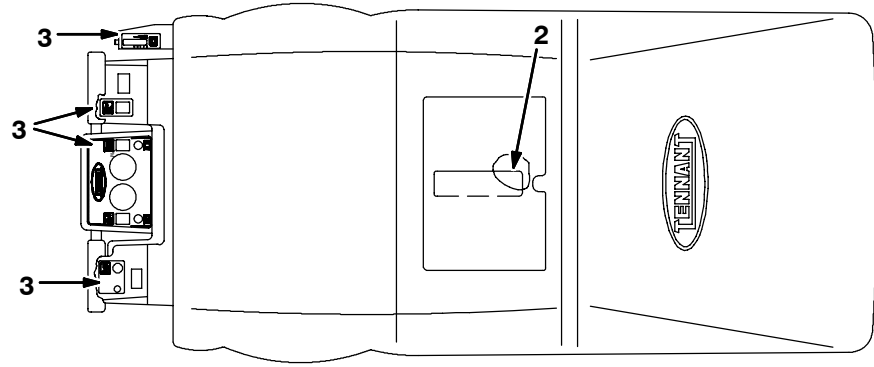


Fig. 38 - Electrical Wire Harness Group (022000-)

	Ref.	Part No.	Serial Number	Description	Qty.
▽	1	397905	(022000-)	Harness, Main, [5700]	1
▲	2	393149	(022000-)	Fuse, Blade, 10a, 58vdc	1
	3	222290	(022000-)	Diode, Ele, Plug	2
	4	222707	(022000-)	Capacitor, Electric, Plug	1
		222666	(022000-)	Clamp, Cable, Ribbon, 1.25w 0.25h Plstc	1

Fig. 39 - Label Group



10299 - 5700, NA

Ref.	Part No.	Serial Number	Description	Qty.
1	398429	(000000-)	Kit, Label [5700]	1
2	222578	(000000-)	Label Set, Info & Hzd 5700	1
3	222533	(000000-017945)	Label Set, Operational 5700	1
3	369763	(017946-)	Label Set, Operational 5700	1

SECTION 3

Contents	Page
Fig. 1 - ES Kit	3-2
Fig. 2 - Vacuum Wand Kit	3-4
Fig. 3 - Power Wand Hose Assembly	3-5
Fig. 4 - Power Wand Assembly	3-6
Fig. 5 - Power Wand Pump and Fittings Group .	3-8
Fig. 6 - Power Wand Mount Group	3-10
Fig. 7 - Parking Brake Group	3-12
Fig. 8 - Power Kill Switch Kit	3-13
Fig. 9 - Dual Vacuum Fan Kit	3-14
Fig. 10 - Wall Roller Kit	3-16
Fig. 11 - Transport Group	3-18
Fig. 12 - Neoprene Caster Group	3-19
Fig. 13 - Tire Group, Solid	3-20
Fig. 14 - Tire Group, Foam Filled	3-21
Fig. 15 - Tire and Rim Assembly, Gray	3-22
Fig. 16 - Battery Kit, Heavy Duty Wet, 335AH ..	3-23
Fig. 17 - Battery Charger Group	3-24
Fig. 18 - Urethane Scrub Head Skirt Kit	3-25
Fig. 19 - Sensor Kit, Optical (000000-xxxxxx) ..	3-26
Fig. 20 - Sensor Kit, Shielded	3-27
Fig. 21 - FaST Air Pump and Detergent Group (000000-022740)	3-28
Fig. 22 - FaST Air Pump and Detergent Group (022741- 024027)	3-30
Fig. 23 - FaST Air Pump and Detergent Group (024028-)	3-32
Fig. 24 - FaST Solution Supply Group, Disk Scrub Head	3-34
Fig. 25 - FaST Solution Supply Group, Model 700C / 800C Scrub Head	3-36
Fig. 26 - FaST Foam Filter Group	3-38
Fig. 27 - FaST Solution Pump Group	3-40
Fig. 28 - FaST Operator Console Group	3-42
Fig. 29 - FaST Wire Harness Group	3-43
Fig. 30 - Drain Hose Extension Kit	3-44
Fig. 31 - Sound Reduction Kit	3-45
Fig. 32 - Speed Reduction Kit	3-46
Fig. 33 - Documentation Group	3-47

Fig. 1 - ES Kit

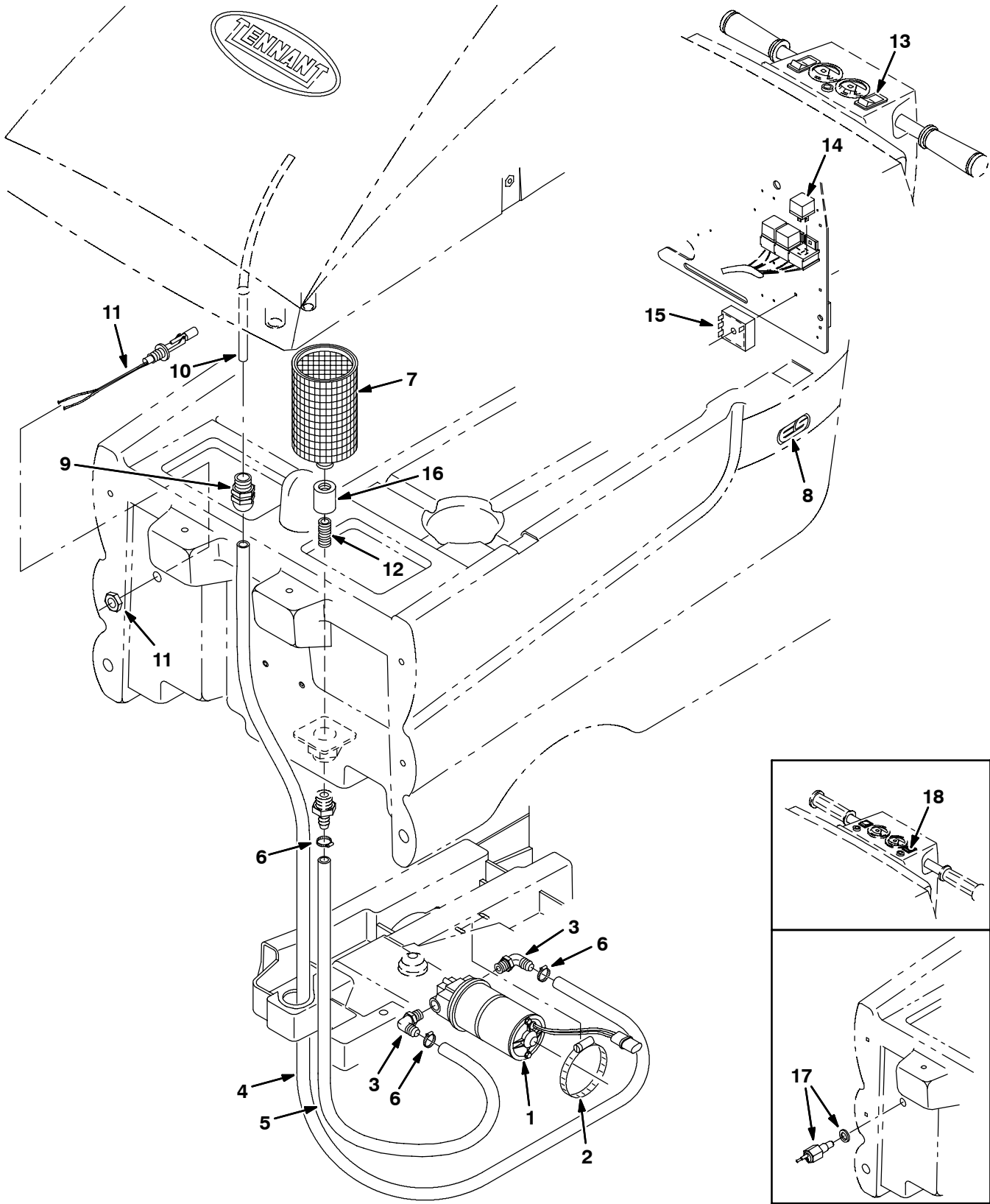
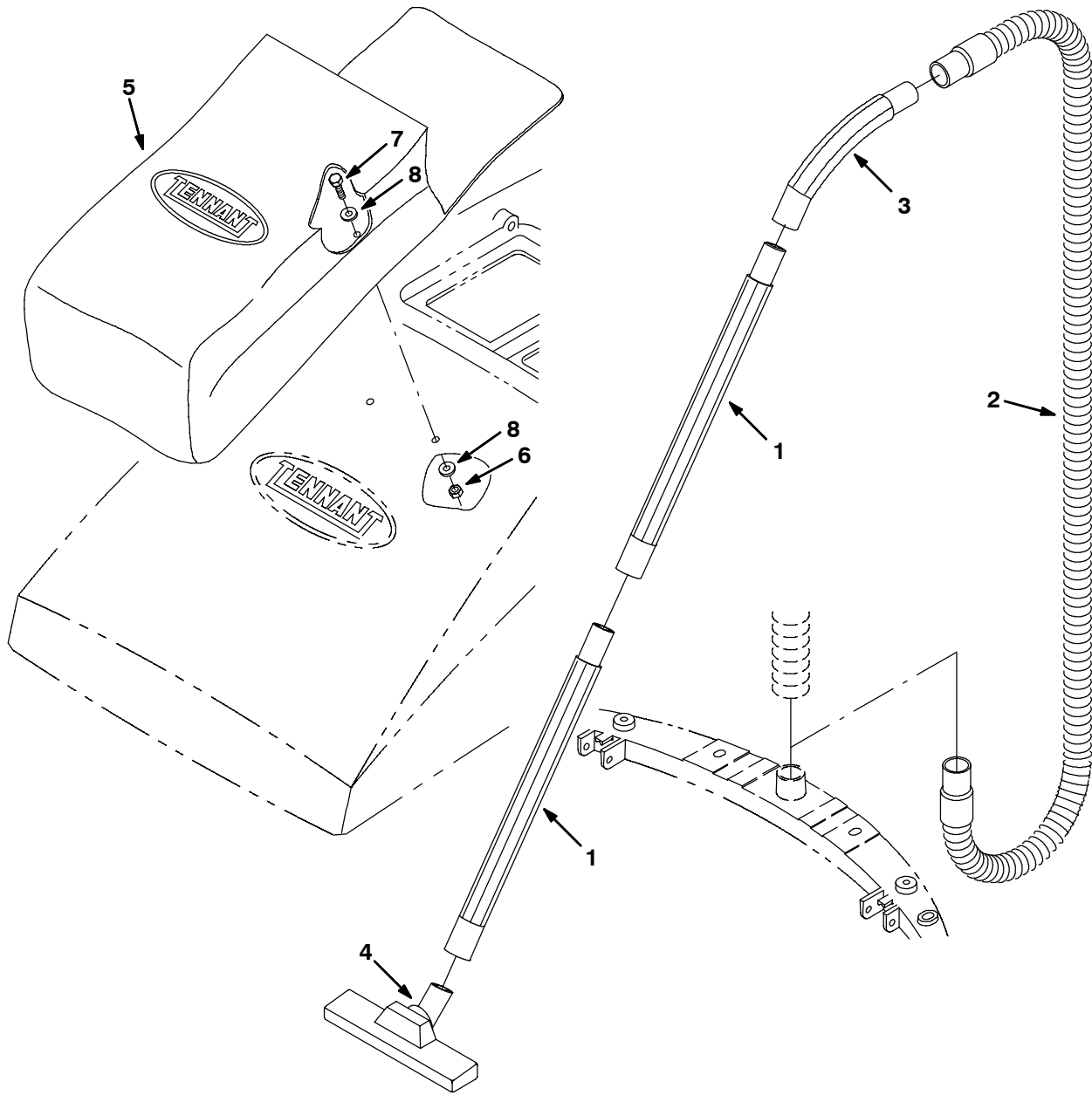


Fig. 1 - ES Kit

	Ref.	Part No.	Serial Number	Description	Qty.
▽		222351	(000000-) Es Standard 5700	1
▲	1	222259	(000000-) Pump Assy, Water 36Vdc (See Breakdowns)	1
▲	2	17188	(000000-) Clamp-Wormdrive, 1.62-3.50D	1
▲	3	64778	(000000-) Ftg,Plstc,Elb,Barb.38Pt-.50Hse	2
▲	4	222451	(000000-) Hose, Vinyl Clr, .50ld X65.0L	1
▲	5	72953	(000000-) Hose, Pvc .50ldx.73Od 23.0Lg	1
▲	6	54333	(000000-) Clamp-Wormdrive, 0.31- 0.88D	3
▲	7	65873	(000000-) Screen, Solution 60 Mesh, Cyl	1
▲	8	222604	(000000-) Label, Es Logo, Off-White	2
▲	9	222374	(000000-) Ftg-Plastic Str Specl 12Pm	1
▲	10	222439	(000000-) Tube, Poly .38ld X .06W X 16L	1
▲	11	222822	(xxxxxx-) Switch, Float	1
▲	12	69784	(000000-) Ftg-Plstc Str 12Pm/12Pm	1
▲	13	398500	(017946-) Switch, Rocker, Dpst	1
▲	14	398526	(000000-) Relay, 36Vdc, 9A, Spdt	1
▲	15	222710	(000000-) Timer, E.S.	1
▲	16	05134	(000000-) Ftg, Pipe, Cplg Plastic 0.75	1
	17	222827	(000000- xxxxxx) Sensor Kit, Liq Level	1
	18	222117	(000000-017945) Switch	1

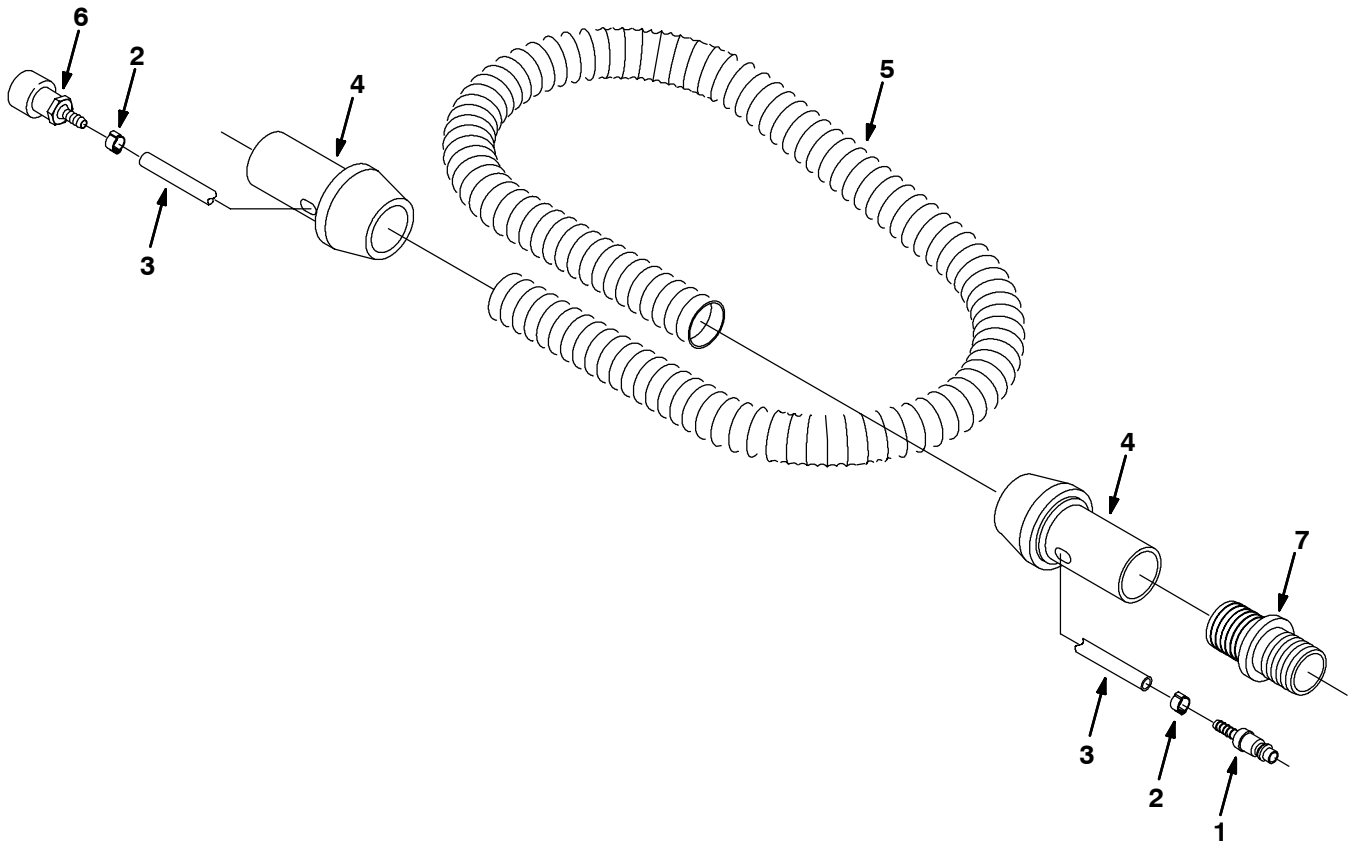
Fig. 2 - Vacuum Wand Kit



10080 - 5700, EE, XP, NA, JP

Ref.	Part No.	Serial Number	Description	Qty.
▽	222349	(000000-) Wand Vacuum 5700	1
▲	1 05579	(000000-) Wand, Vacuum	2
▲	2 05594	(000000-) Hose Assy, Vacuum Wand	1
▲	3 05584	(000000-) Hose End, Curved	1
▲	4 374077	(000000-) Nozzle, Vacuum Wand	1
▲	5 65580	(000000-) Bag, Power Wand	1
▲	6 08713	(000000-) Nut-Hxlocnyln M 8X1.25 Reg Ss	2
▲	7 09011	(000000-) Scr Hexssm 8X1.25 30	2
▲	8 01685	(000000-) Washer, Flat, 0.38b 0.88d .08, Ss	4

Fig. 3 - Power Wand Hose Assembly



08042 - ALL

NOTE: Power Wand Kit, Tennant Part Number 222352, includes Fig. 3, Fig. 4, Fig. 5, and Fig. 6.

Ref.	Part No.	Serial Number	Description	Qty.
▽	65341	(000000-) Hose Assembly	1
▲ 1	578318000	(000000-) Fitting, Quick Disconnect	1
▲ 2	578160000	(000000-) Clamp, Hose	2
▲ 3	578820000	(000000-) Hose	1
▲ 4	578072000	(000000-) Cuff, Swivel	2
▲ 5	578276000	(000000-) Hose, Vacuum	1
▲ 6	578071000	(000000-) Fitting, Quick Disconnect	1
▲ 7	12694	(000000-) Fitting, Plastic	1

Fig. 4 - Power Wand Assembly

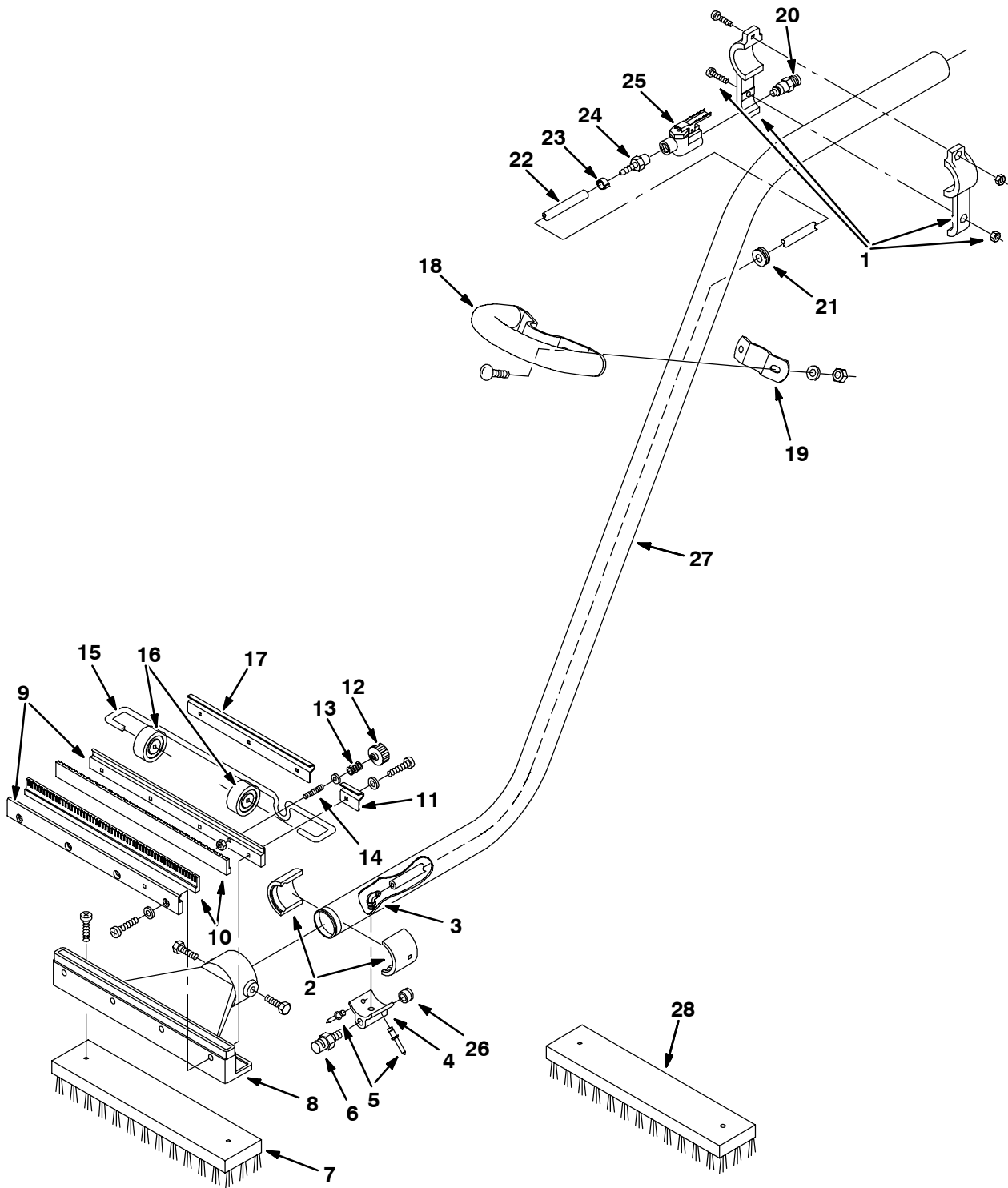


Fig. 4 - Power Wand Assembly

NOTE: Power Wand Kit, Tennant Part Number 222352, includes Fig. 3, Fig. 4, Fig. 5, and Fig. 6.

	Ref.	Part No.	Serial Number	Description	Qty.
	▽	65340	(000000-) Wand Assembly	1
	▲	1 578077000	(000000-) Bracket, Valve Mounting	1
	▲	2 578061000	(000000-) Adapter, Head	2
1037595	▲	3 578214000	(000000-) Fitting, 90° Elbow	1
	▲	4 579112	(000000-) Adapter, Nozzle	1
	▲	5 602036000	(000000-) Rivet, Pop	2
	▲	6 578066000	(000000-) Nozzle, Spray	1
	▲	7 65610	(000000-) Brush, Wand, Poly	1
	▲	8 578063000	(000000-) Head, Wand	1
	▲	9 578078000	(000000-) Strip, Retainer	2
	▲	10 578074000	(000000-) Blade, Squeegee	2
	▲	11 578124000	(000000-) Bracket, Axle	1
	▲	12 578439	(000000-) Knob, Adjustable, Squeegee	1
	▲	13 578228000	(000000-) Spring, Compression	1
	▲	14 578143000	(000000-) Stud, Adjustable	1
	▲	15 578126000	(000000-) Axle, Wand	1
	▲	16 578125000	(000000-) Wheel, Guide	2
	▲	17 578123000	(000000-) Bracket, Axle	1
	▲	18 578155000	(000000-) Handle, Wand	1
	▲	19 578154000	(000000-) Bracket, Handle Mounting	1
	▲	20 578091000	(000000-) Fitting, Quick Disconnect	1
	▲	21 578164000	(000000-) Grommet	1
	▲	22 578821000	(000000-) Hose, Solution	1
	▲	23 578161000	(000000-) Clamp, Hose	2
	▲	24 578094000	(000000-) Fitting, Straight	1
	▲	25 578064000	(000000-) Valve, Water	1
	▲	26 150208	(000000-) Fitting, Plug	1
	▲	27 578060000	(000000-) Wand, Off-Aisle	1
	▲	28 65582	(000000-) Brush, Wand AB	1

Fig. 5 - Power Wand Pump and Fittings Group

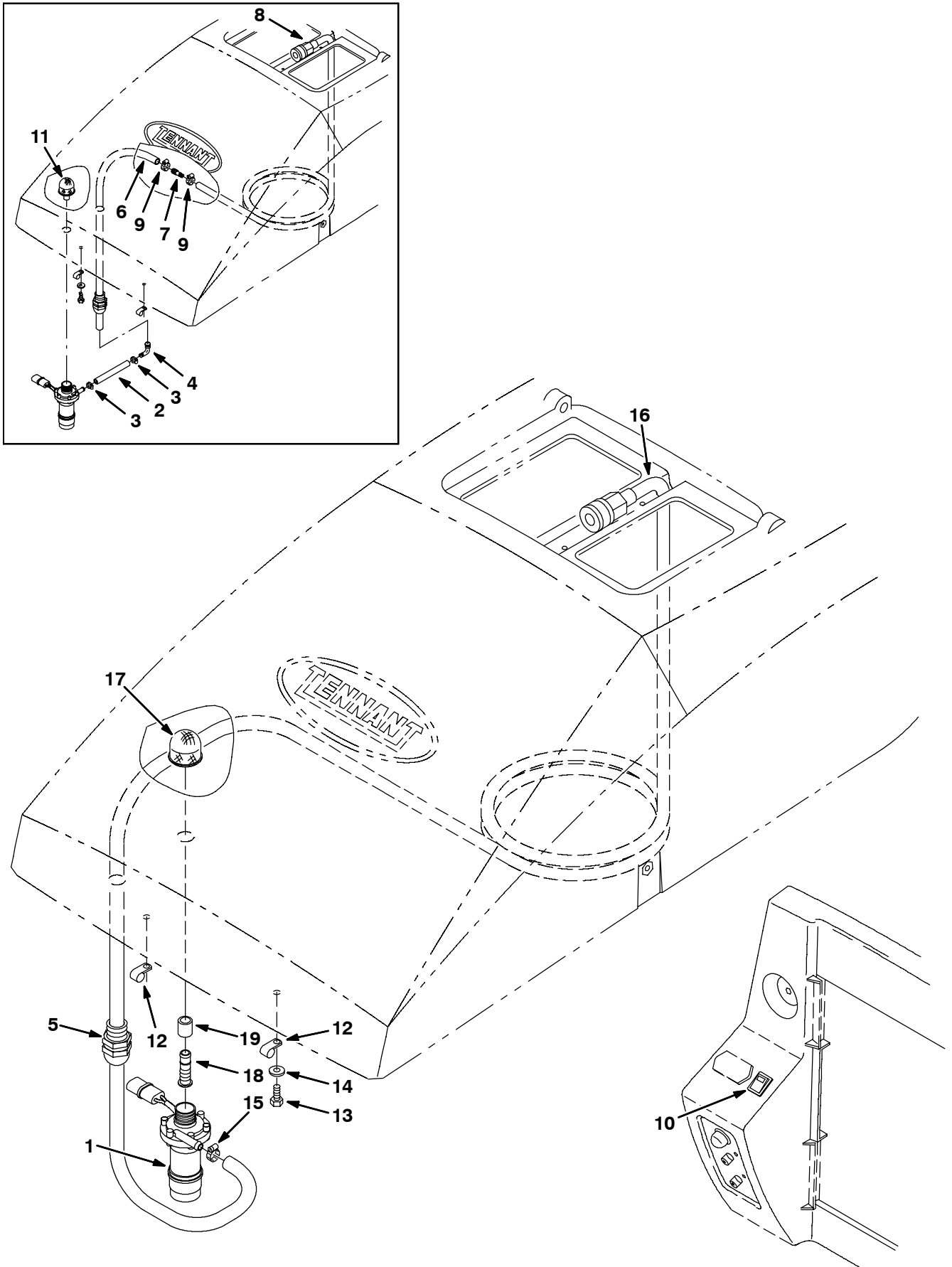


Fig. 5 - Power Wand Pump and Fittings Group

NOTE: Power Wand Kit, Tennant Part Number 222352, includes Fig. 3, Fig. 4, Fig. 5, and Fig. 6.

Ref.	Part No.	Serial Number	Description	Qty.
1	222258	(000000-) Pump, Water 0.5 Gpm 12Psi 36V	1
2	79580	(000000-xxxxxx) Hose Vinyl Cl.,0.38 ldx 4.60Lg	1
3	43844	(000000-xxxxxx) Clamp-Wormdrive, 0.25- 0.62D	2
4	222376	(000000-xxxxxx) Ftg-Plastic E90 06Bm/08Bm	1
5	222374	(000000-) Ftg-Plastic Str Specl 12Pm	1
6	50178	(000000-xxxxxx) Hose, .50ld X 26.0	1
7	222375	(000000-xxxxxx) Ftg-Plastic Str	1
8	222811	(000000-xxxxxx) Replacement Kit, Hose	1
9	222705	(000000-xxxxxx) Clamp-Wormdrive, 0.31- 0.88D, Ss	2
10	222117	(000000-) Switch	1
11	222812	(000000-xxxxxx) Replm Kit, Screen	1
12	40678	(000000-) Clamp,Cable .44D .62Wide	2
13	49826	(000000-) Scr-Hexssm 8X1.25 16 Nylon Loc	2
14	01685	(000000-) Washer, Flat, 0.38b 0.88d .08, Ss	2
15	43844	(xxxxxx-) Clamp-Wormdrive, 0.25 - 0.62D	1
16	222810	(xxxxxx-) Hose Assy, Water	1
17	222742	(xxxxxx-) Screen, Drain	1
18	222728	(xxxxxx-) Ftg, Str, Drain	1
19	222750	(xxxxxx-) Hose	1

Fig. 6 - Power Wand Mount Group

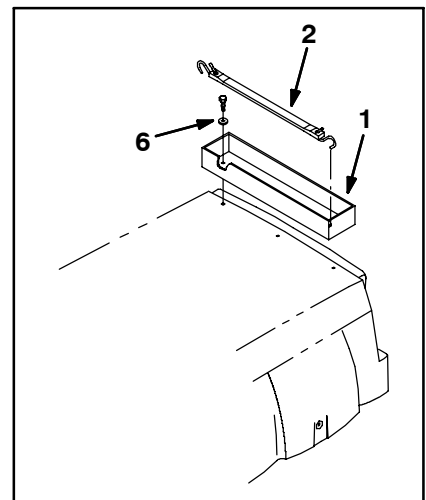
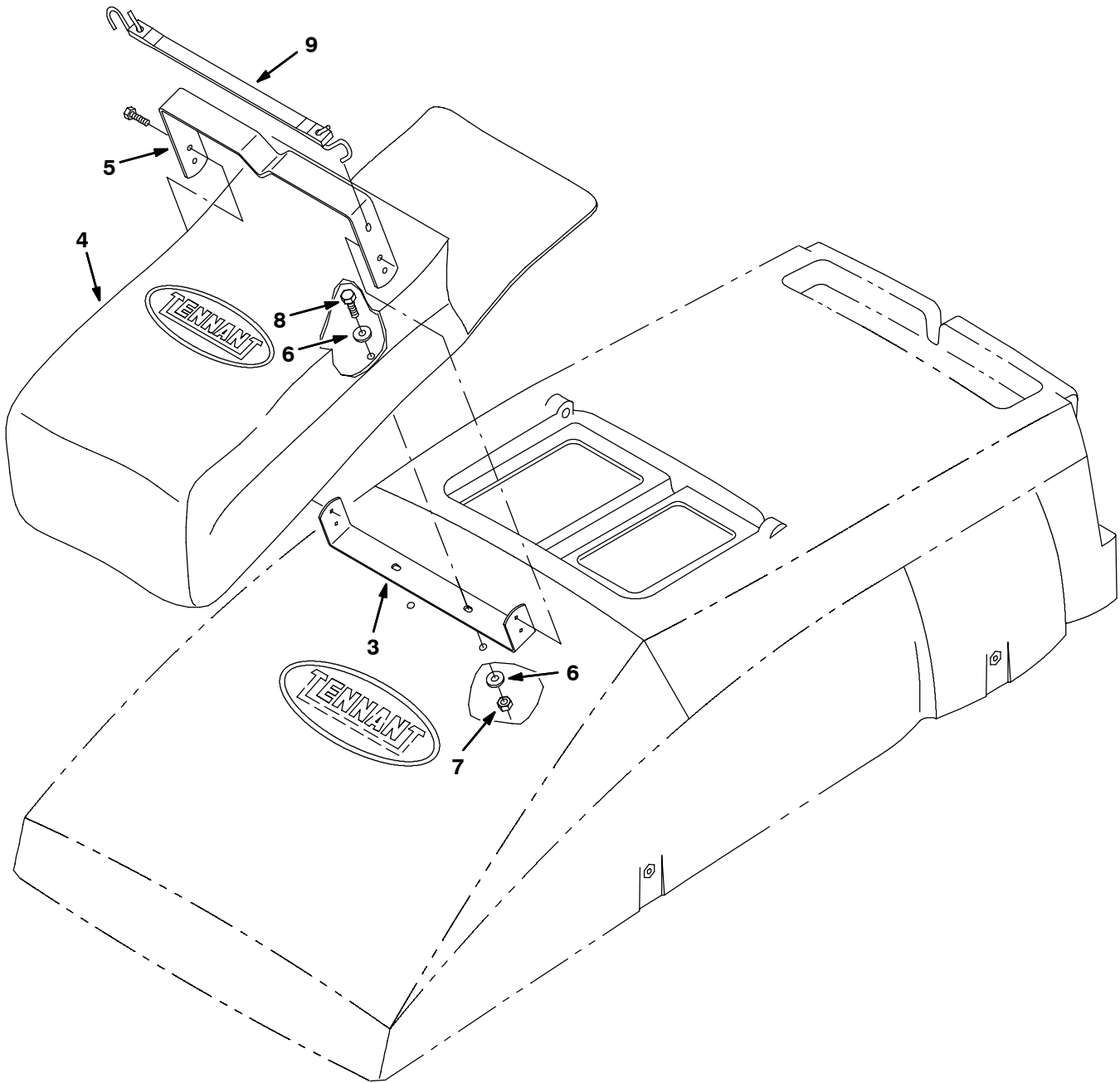
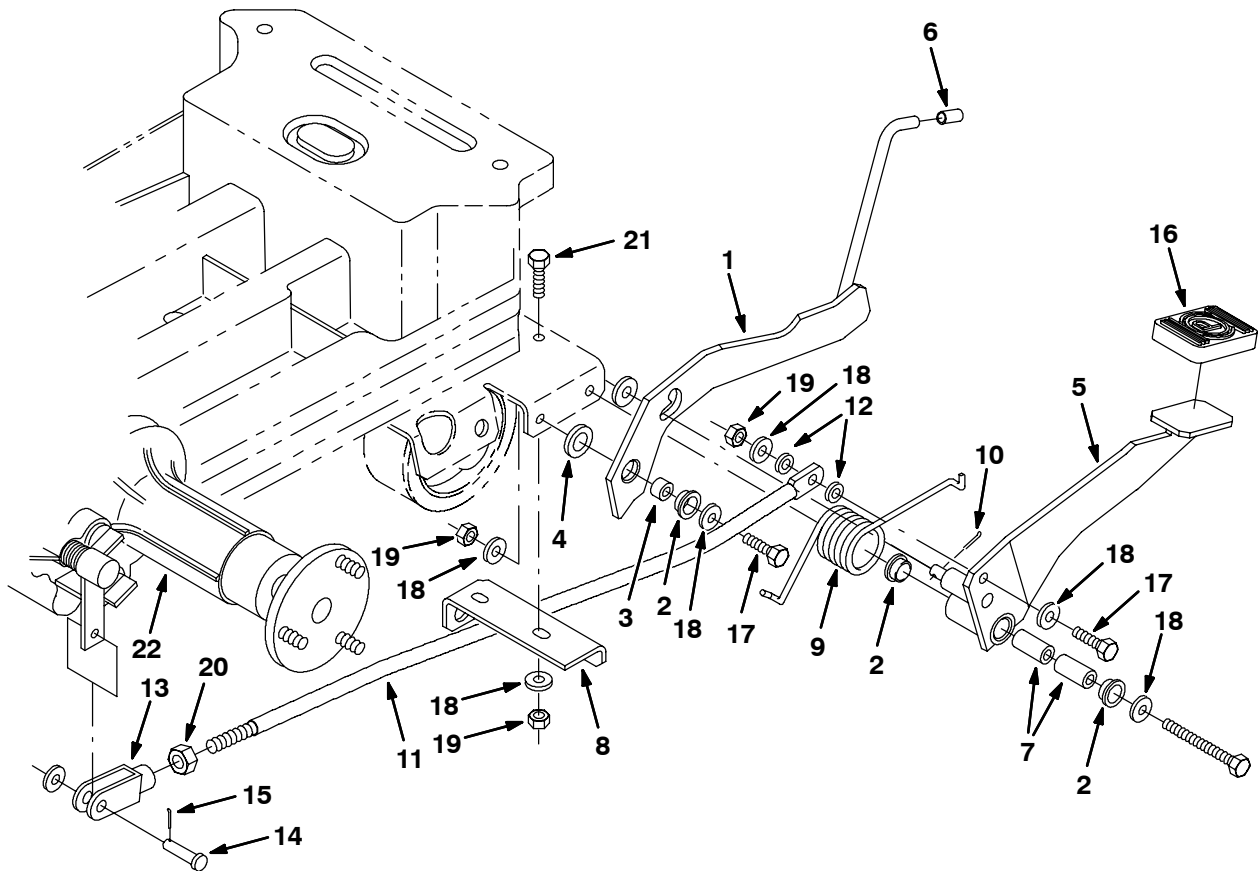


Fig. 6 - Power Wand Mount Group

NOTE: Power Wand Kit, Tennant Part Number 222352, includes Fig. 3, Fig. 4, Fig. 5, and Fig. 6.

Ref.	Part No.	Serial Number	Description	Qty.
1	61212	(000000-019216)	Tray, Wand	1
2	57769	(000000-019216)	Strap, Rubber	2
3	222367	(000000-	Bracket, Mtg, Bag	1
4	65580	(000000-	Bag, Power Wand	1
5	222366	(000000-	Bracket, Sppt, Wand	1
6	01685	(000000-	Washer, Flat, 0.38b 0.88d .08, Ss	4
7	08713	(000000-	Nut-Hxlocnyln M 8X1.25 Reg Ss	2
8	09011	(000000-	Scr Hexssm 8X1.25 30	2
9	57769	(019217-	Strap, Rubber	2

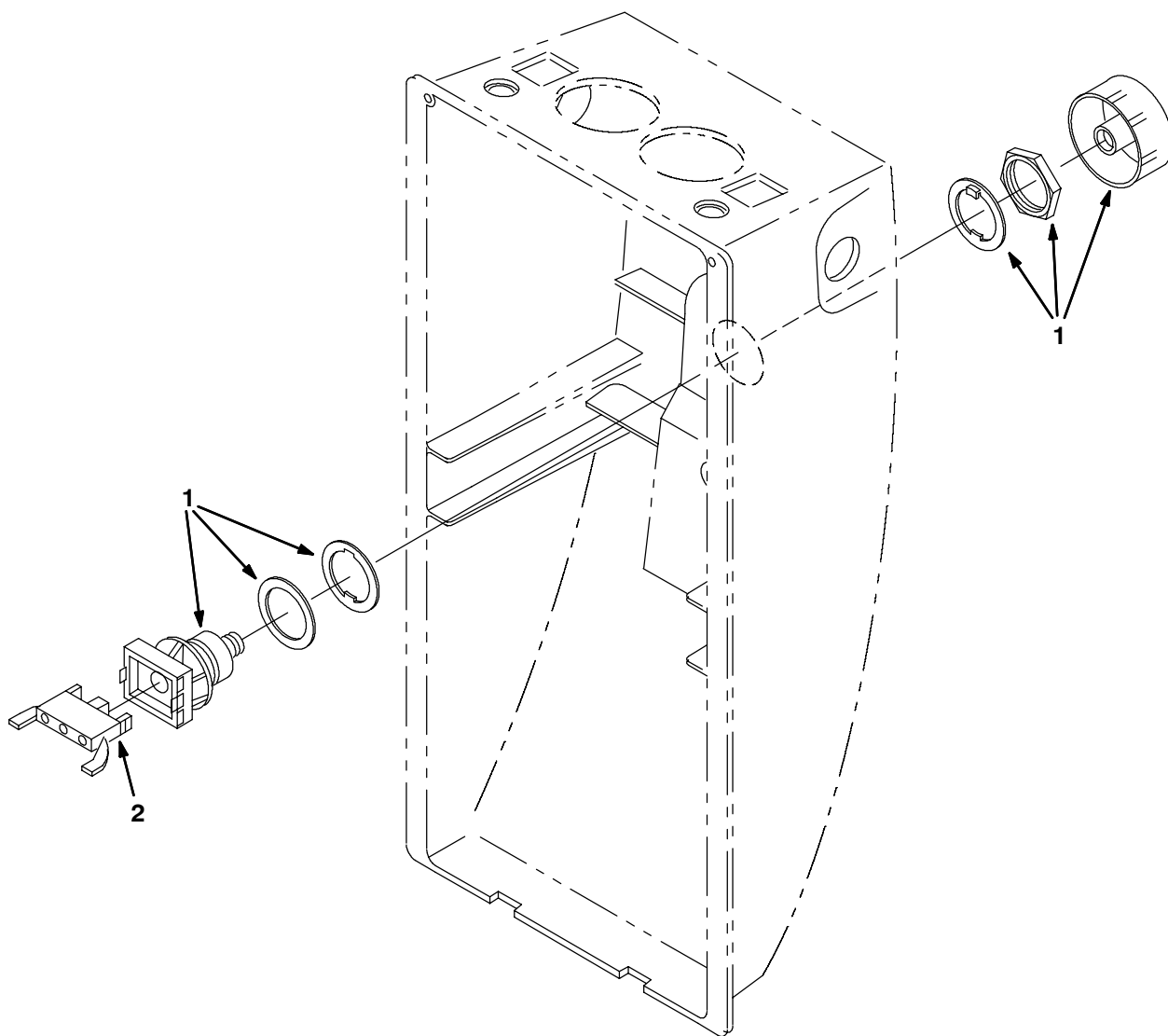
Fig. 7 - Parking Brake Group



10086 - 5700, EE, XP, NA, JP

Ref.	Part No.	Serial Number	Description	Qty.
1	222552	(000000-) Plate Weldment, Stop	1
2	04843	(000000-) Bearing, Flange .625 Bore	3
3	222556	(000000-) Sleeve .62D .34B .38L	1
4	28862	(000000-) Washer-Thrust	1
5	222547	(000000-) Brake Weldment, Parking	1
6	222555	(000000-) Grip, Handle	1
7	222028	(000000-) Sleeve, .344B .62D1.3 Bronze	2
8	222651	(000000-) Bracket, Lift Retainer	1
9	222560	(000000-) Spring, Torsion	1
10	08179	(000000-) Pin, Cotter .094X1.00	1
11	222546	(000000-) Rod, Brake .50 D	1
12	43454	(000000-) Washer, .344B .69D .06Nylon	2
13	222558	(000000-) Clevis, Adjustable M12	1
14	04743	(000000-) Pin,Clevis,0.31 Dia.X 1.12 Lg	1
15	39005	(000000-) Pin- Cotter .094X0.75	1
16	222593	(000000-) Pad, Pedal	1
17	09011	(000000-) Scr Hexssm 8X1.25 30	2
18	01685	(000000-) Washer, Flat, 0.38b 0.88d .08, Ss	8
19	08713	(000000-) Nut-Hxlocnyln M 8X1.25 Reg Ss	5
20	07788	(000000-) Nut Hx Std Ss M12X1.75	1
21	09010	(000000-) Scr Hexssm 8X1.25 25	2
22	222037AM	(018733-) Transaxle Assy, W/Parking Brake (See Breakdowns)	1

Fig. 8 - Power Kill Switch Kit



10056 - ALL

Ref.	Part No.	Serial Number	Description	Qty.
▽	222664	(000000-) Button Kit Battery Cutout 5700	1
▲	1 78553	(000000-) Switch, Pushbutton	1
▲	2 65665	(000000-) Contact, Switch	1

Fig. 9 - Dual Vacuum Fan Kit

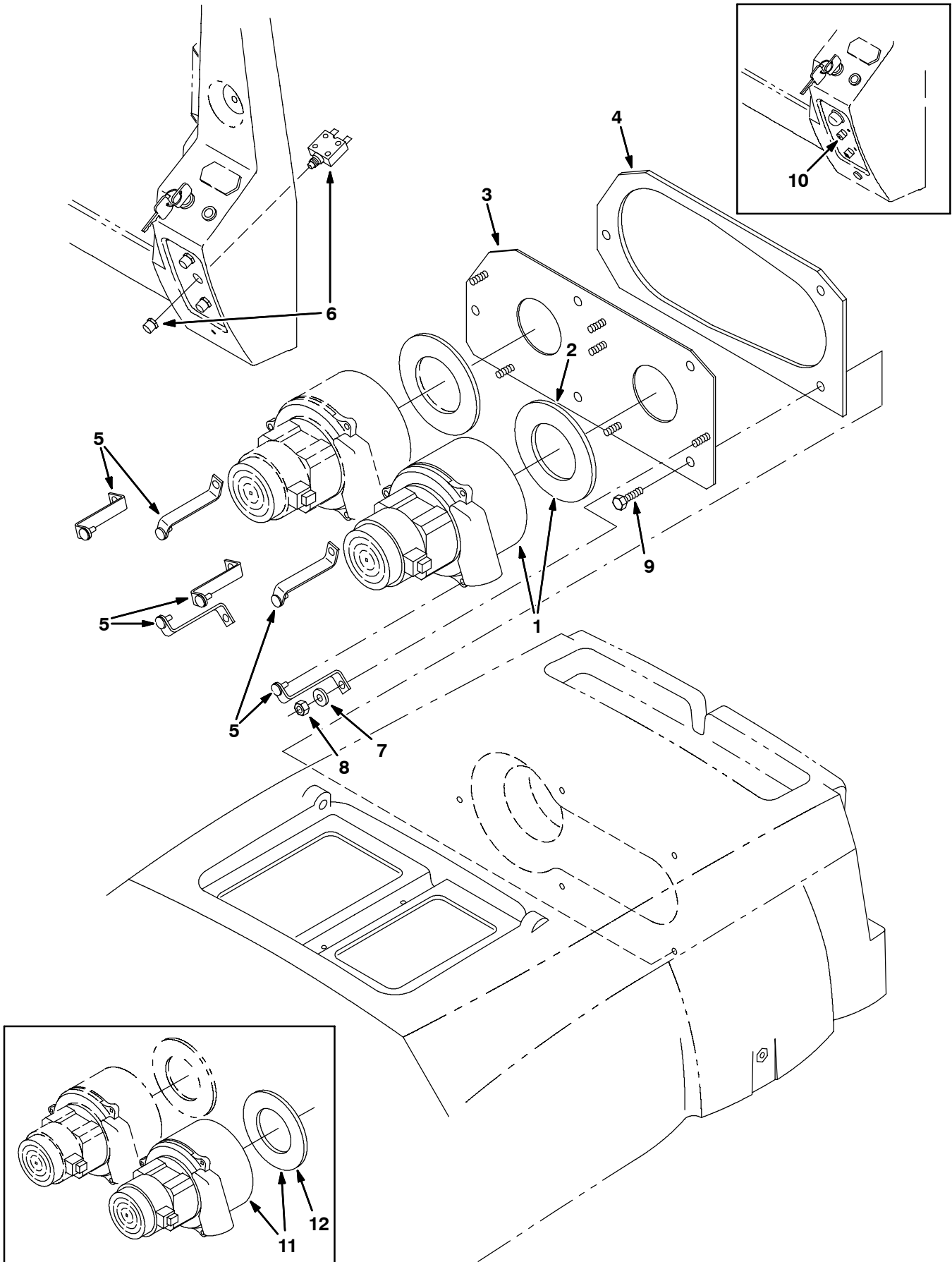


Fig. 9 - Dual Vacuum Fan Kit

	Ref.	Part No.	Serial Number	Description	Qty.
▽		222355	(000000-) Vacuum Fan Kit, Dual	1
▲▽	1	398520	(020344-) Fan Assy, Vacuum (See Breakdowns)	1
▲▲	2	223264	(020344-) Seal, Vac Fan	1
▲	3	222127	(000000-) Plate, Fan Mtg, Dual	1
▲	4	222129	(000000-) Gasket, Plate, Fan Mtg	1
▲	5	222124	(000000-) Bracket, Mounting, Vac Fan	6
▲	6	383727	(017946-) Breaker, Circuit, 40Amp	1
▲	7	01685	(000000-) Washer, Flat, 0.38b 0.88d .08, Ss	6
▲	8	08713	(000000-) Nut-Hxlocnyln M 8X1.25 Reg Ss	6
▲	9	09010	(000000-) Scr Hexssm 8X1.25 25	3
	10	222283	(000000-017945) Breaker, Circuit, 40Amp	1
▽	11	17363	(000000-020343) Fan, Vac (See Breakdowns)	1
▲	12	223264	(000000-020343) Seal, Vac Fan	1

Fig. 10 - Wall Roller Kit

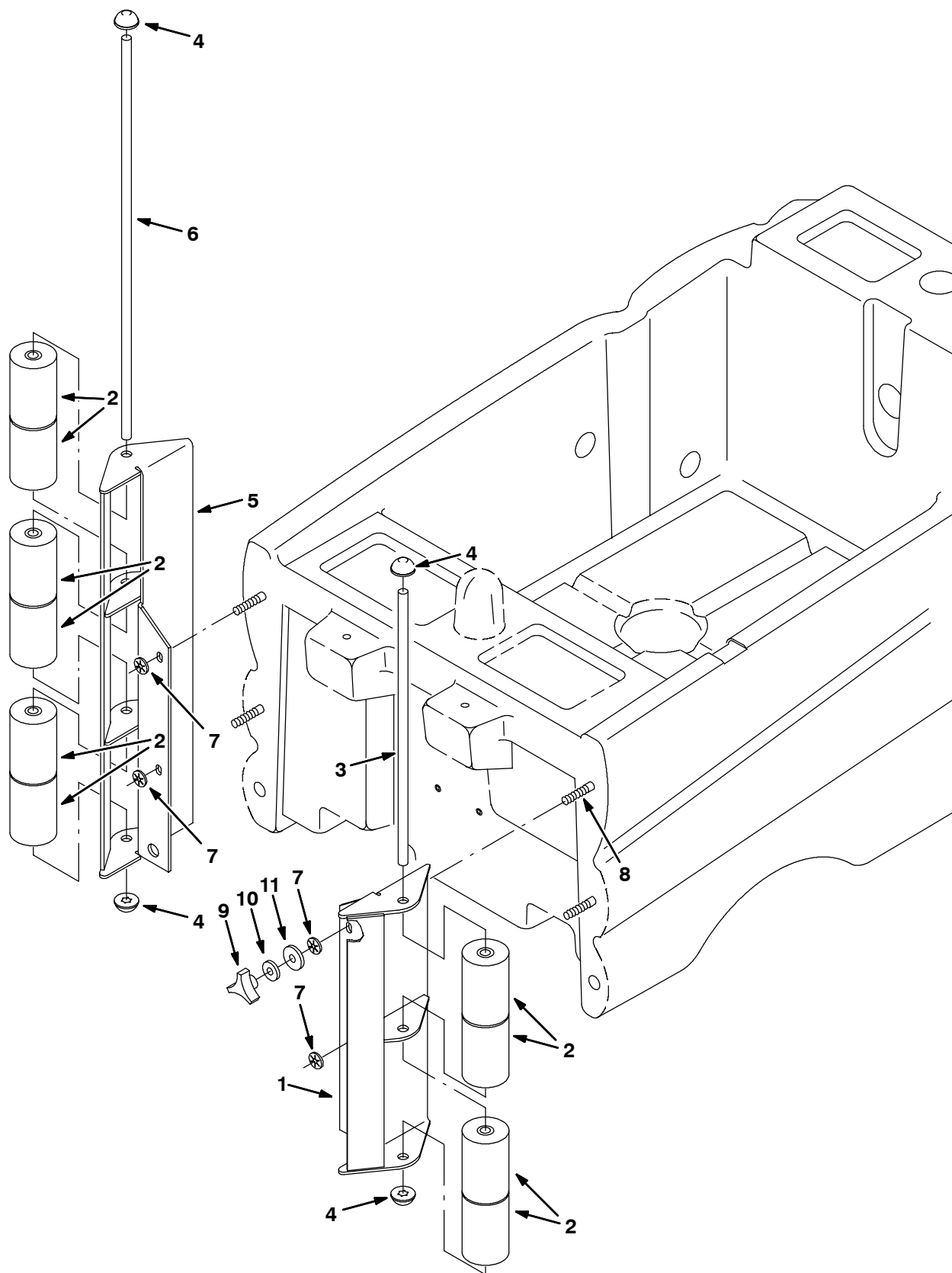
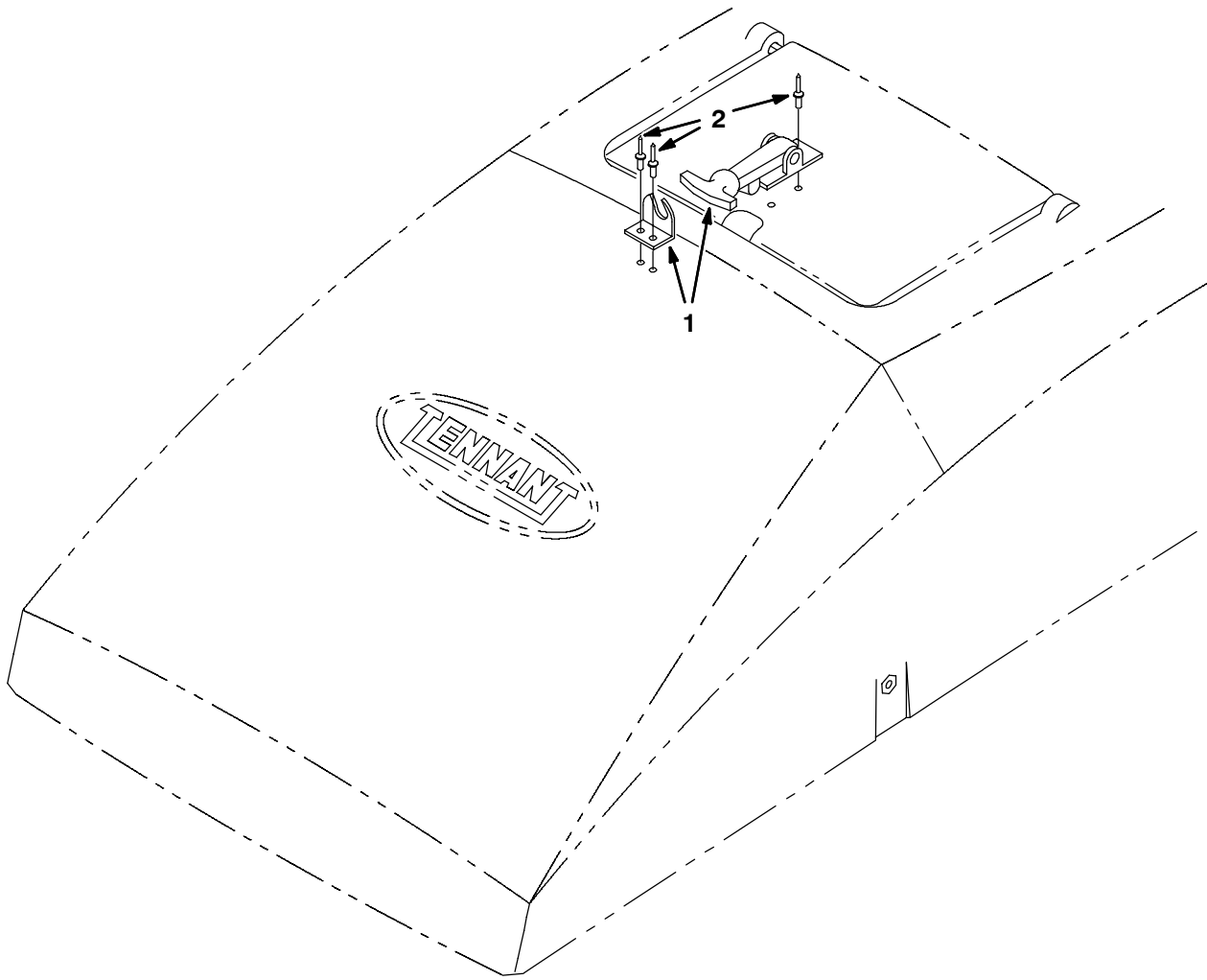


Fig. 10 - Wall Roller Kit

	Ref.	Part No.	Serial Number	Description	Qty.
▽		222663	(000000-) Wall Roller Kit 5700	1
▲	1	222478	(000000-) Bracket Wldt, Wall Roller, Lh	1
▲	2	222796	(000000-) Roller	10
▲	3	222475	(000000-) Shaft, Roller	1
▲	4	222479	(000000-) Pushnut	4
▲	5	222477	(000000-) Bracket Wldt, Wall Roller, Rh	1
▲	6	222476	(000000-) Shaft, Roller	1
▲	7	222768	(000000-) Pushnut	4
▲	8	30327	(000000-) Rod, Thrd, 2 End M08X1.25 01.4	4
▲	9	222470	(000000-) Knob, Star, 1.5d 3 Ear 0.8l M08x1.25 Pls	4
▲	10	01685	(000000-) Washer, Flat, 0.38b 0.88d .08, Ss	4
▲	11	30013	(000000-) Washer, Flat, 0.31 Fender	4

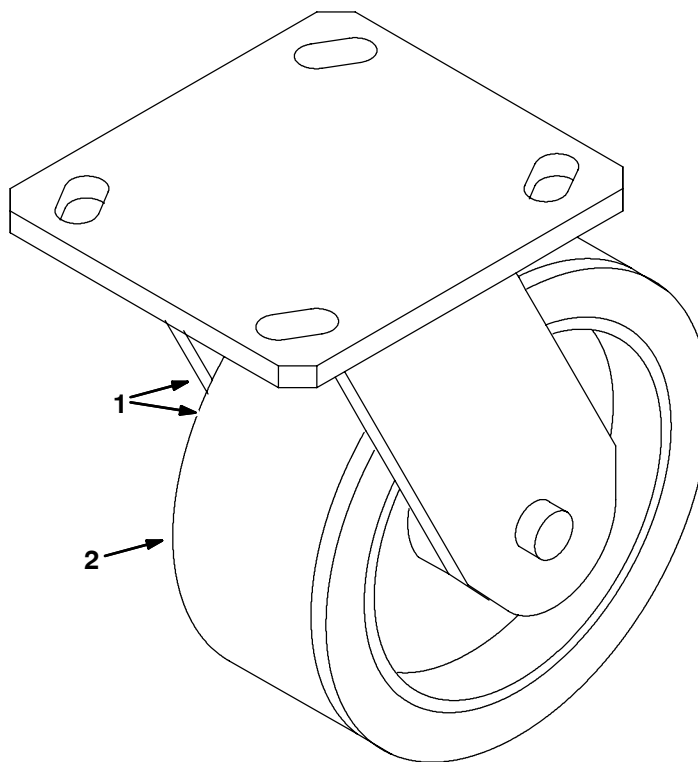
Fig. 11 - Transport Group



10289 - 5700, EE, XP, NA, JP

Ref.	Part No.	Serial Number	Description	Qty.
1	11636	(000000-) Latch, Draw, Flexible	1
2	01335	(000000-) Rivet, Pop-.125Dx.44X.25Dhd Al	4

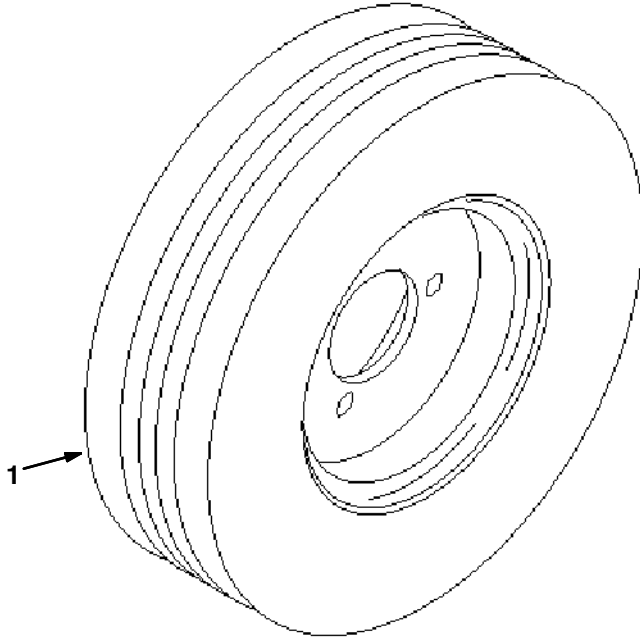
Fig. 12 - Neoprene Caster Group



10274 - 5700, EE, XP, NA, JP

	Ref.	Part No.	Serial Number	Description	Qty.
▽	1	222458	(000000-) Caster, 5.0 Dia Wheel, Neopre	2
▲	2	222354	(000000-) Wheel Assy, 5.0 Neoprene	1

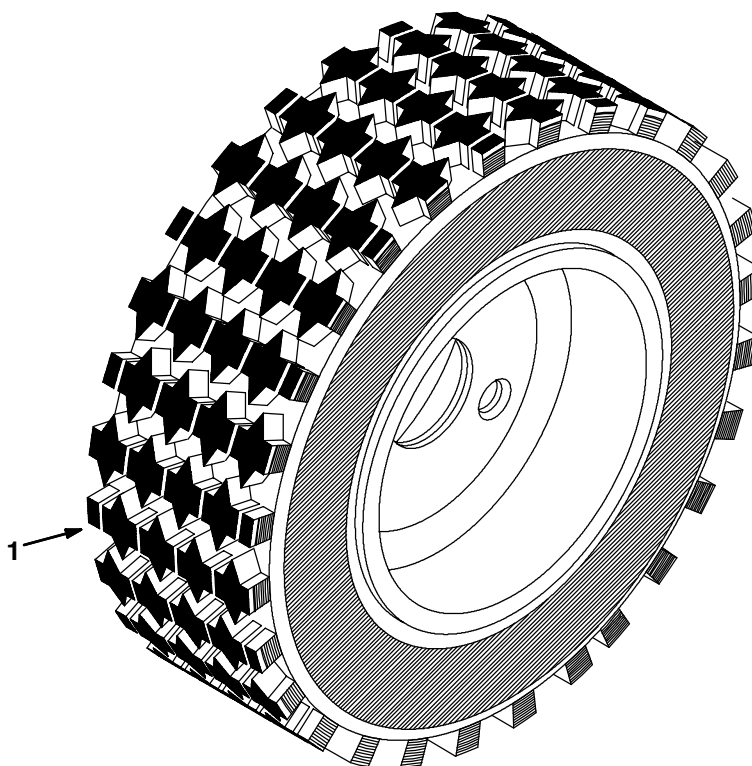
Fig. 13 - Tire Group, Solid



10060 - ALL

Ref.	Part No.	Serial Number	Description	Qty.
1	369345	(000000-) Tire & Rim Assy 12.3 Dia Solid	2

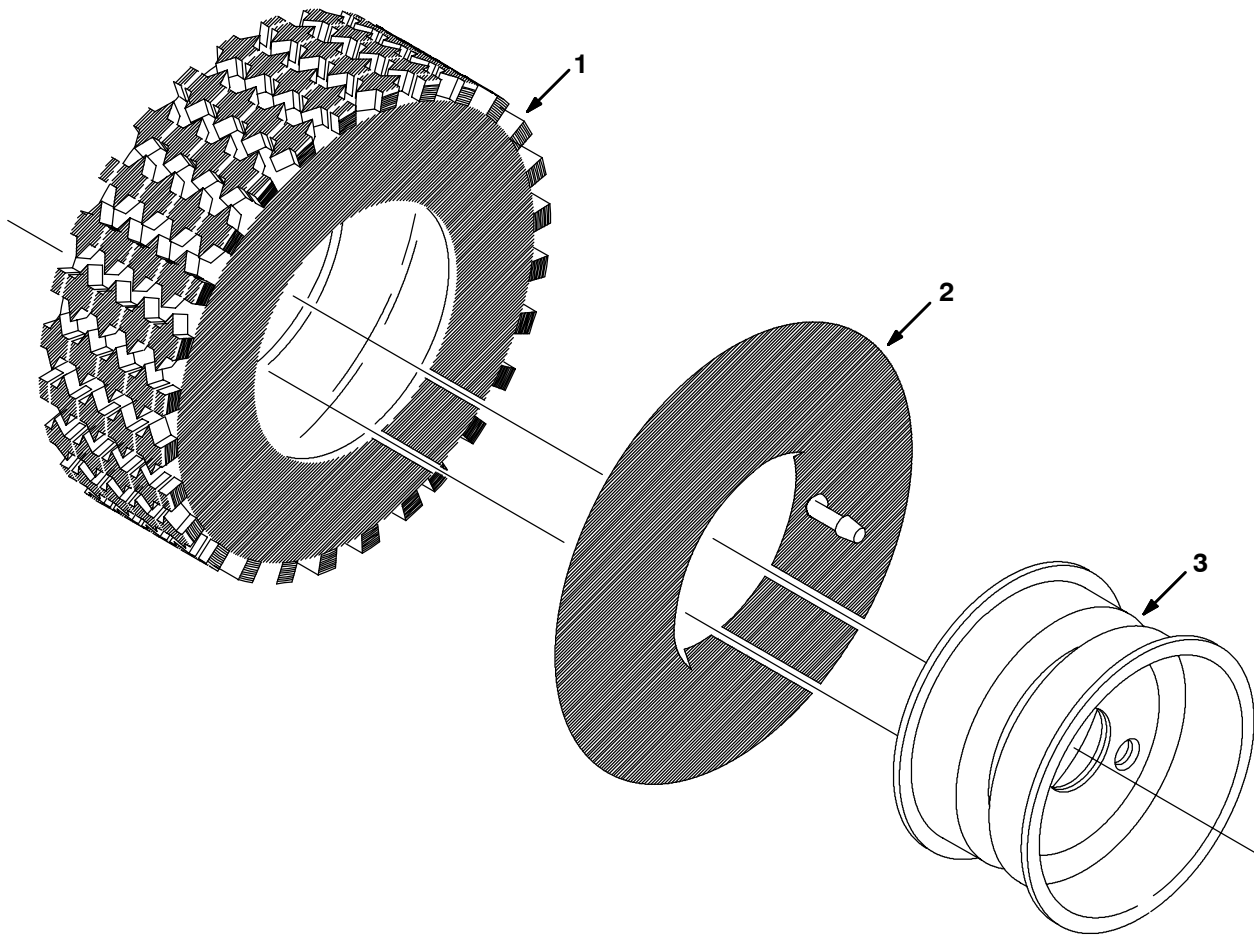
Fig. 14 - Tire Group, Foam Filled



10602 - 5700, EE, XP, NA, JP

Ref.	Part No.	Serial Number	Description	Qty.
1	374044	(000000-) Tire & Rim Assy Foam Filled, Black	2
1	61598	(000000-) Tire & Rim Assy Foam Filled, Gray	2

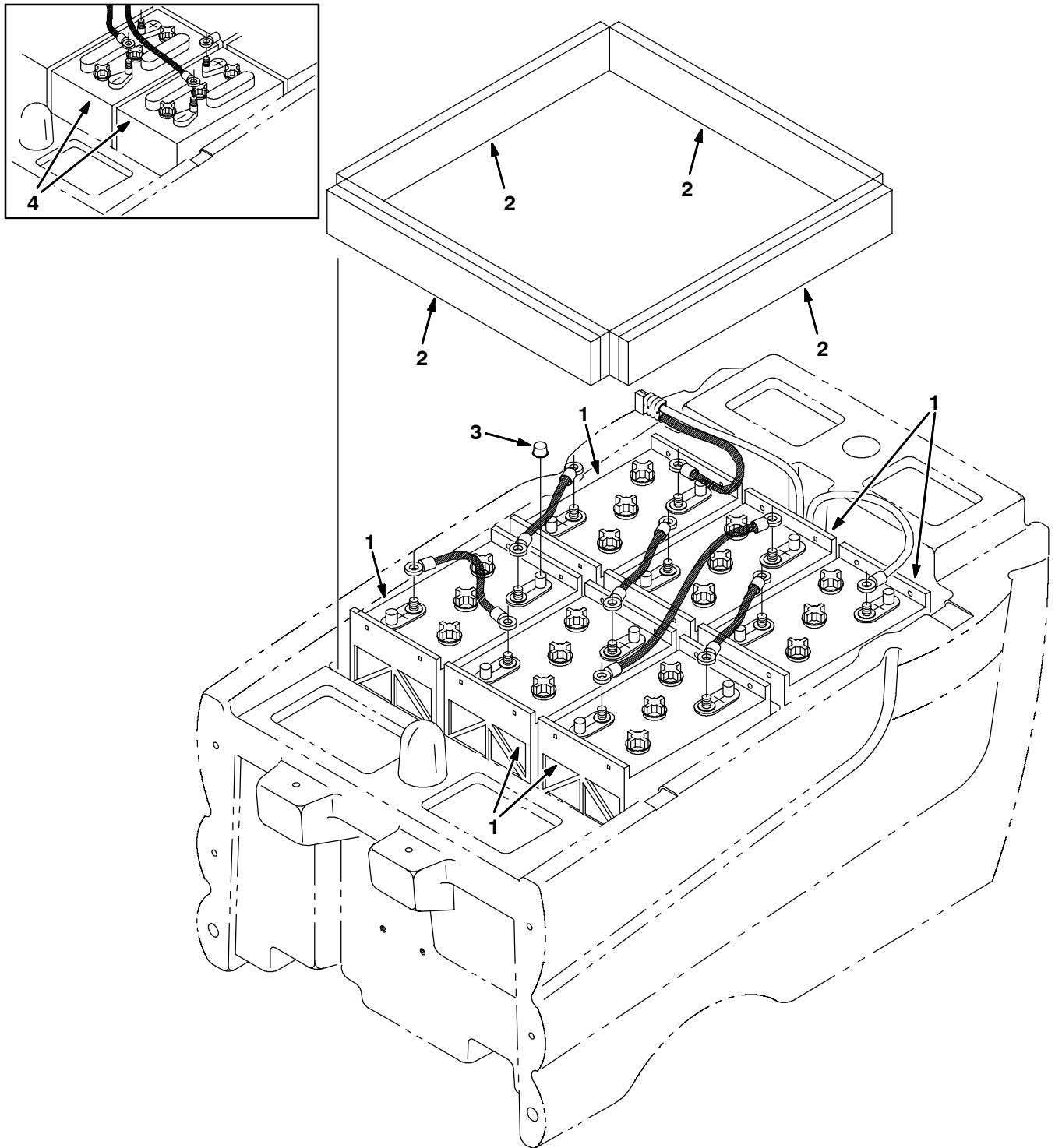
Fig. 15 - Tire and Rim Assembly, Gray



04200 - 5700, EE, XP, NA, CE

Ref.	Part No.	Serial Number	Description	Qty.
▽	61597	(000000-) Tire and Rim Assembly, Gray	2
▲	1 61596	(000000-) Tire, Gray	1
▲	2 04658	(000000-) Tube, Inner	1
▲	3 04657	(000000-) Rim	1

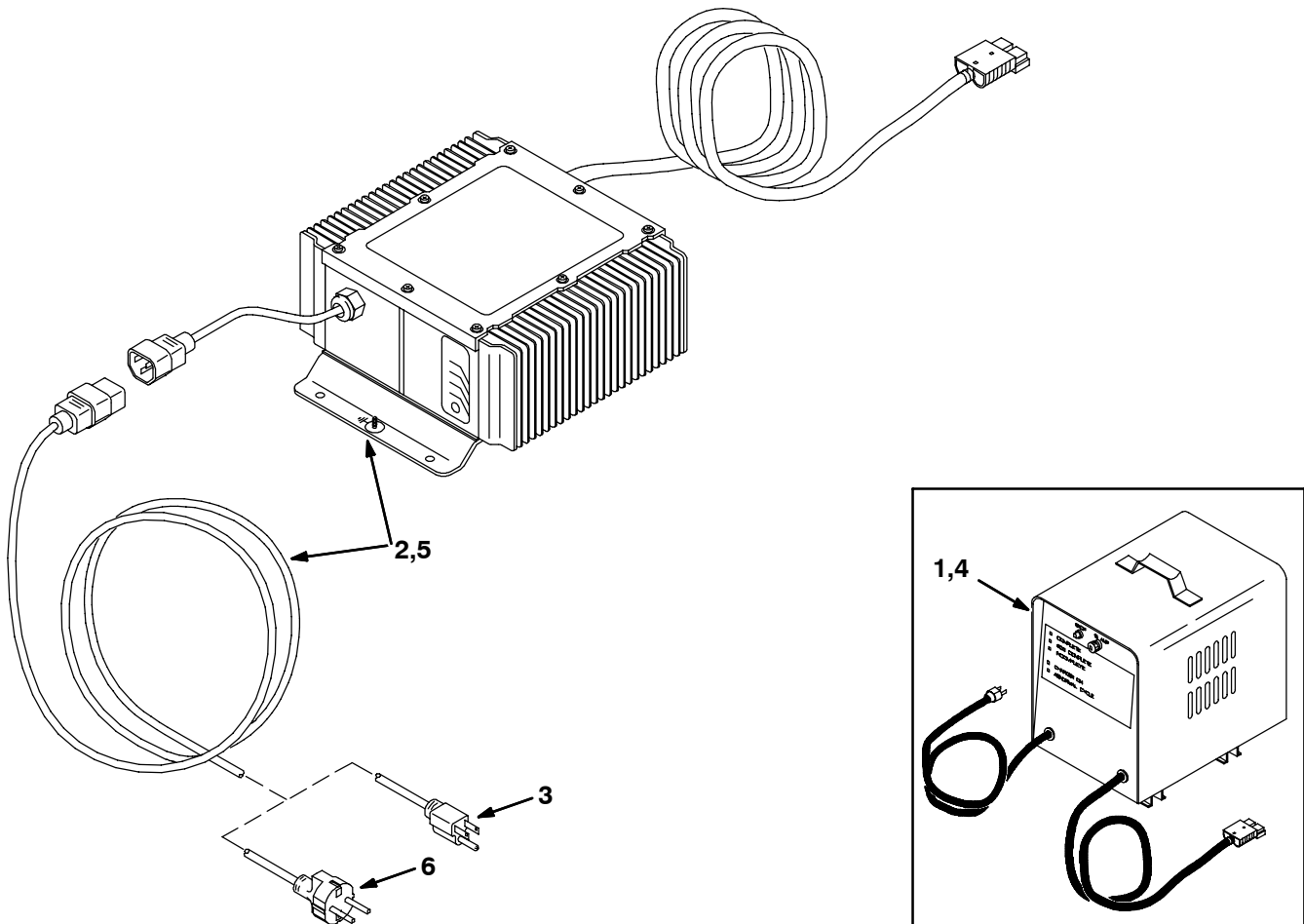
Fig. 16 - Battery Kit, Heavy Duty Wet, 335AH



10270 - 5700, XP, NA

Ref.	Part No.	Serial Number	Description	Qty.
▽	222777	(000000-) Battery Kit 36V 335Ah Wet	1
▲	1 222846	(xxxxxx-) Battery, 6V, Res Cap:196 Wet	6
▲	2 222473	(000000-) Spacer, Battery .62X1.5X21.0	6
▲	3 223641	(000000-) Cap, Battery	6
	4 222852	(000000- xxxxxx) Replm Kit, Battery 6V/335 Wet	6

Fig. 17 - Battery Charger Group



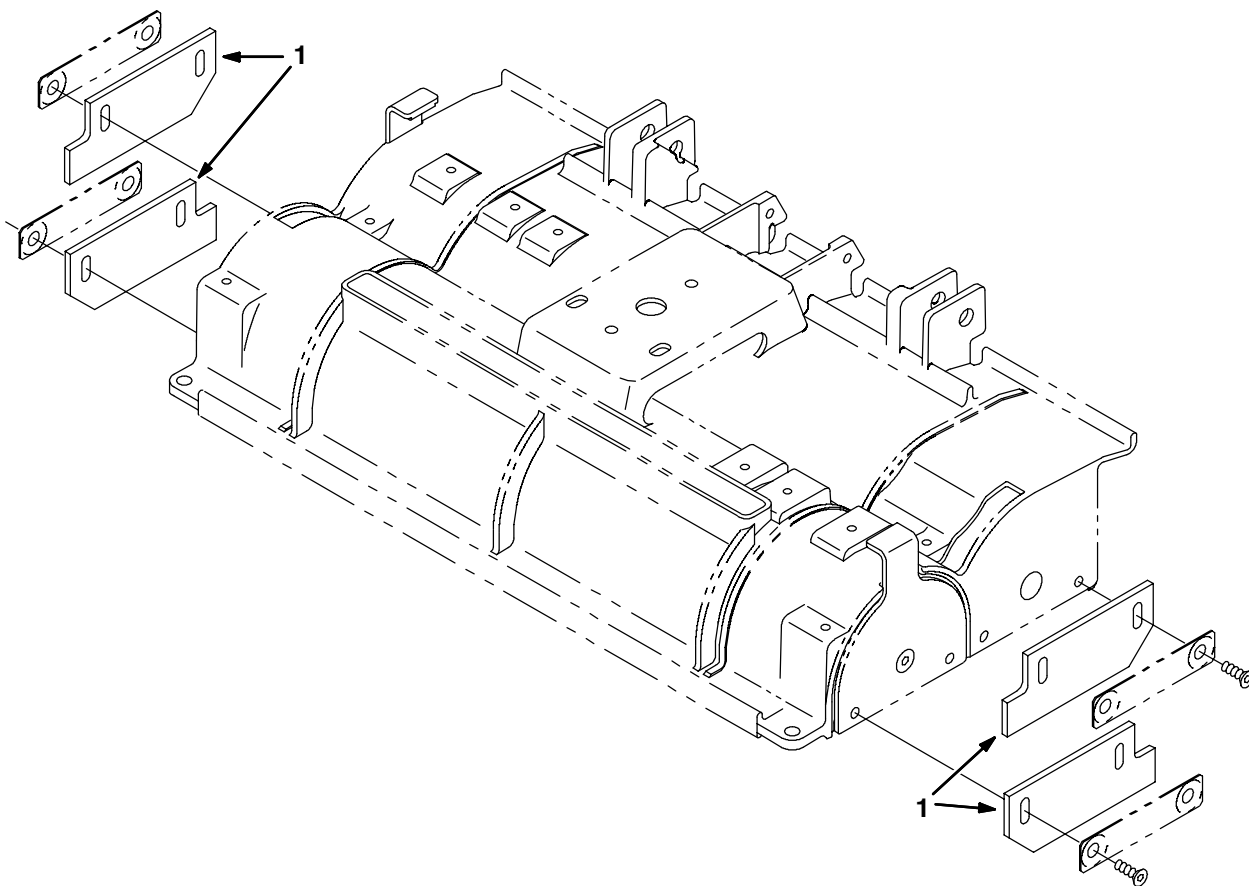
08080, 354318 - 5700, XP, NA

Ref.	Part No.	Serial Number	Description	Qty.	
1	24685	(000000-xxxxxx)	Charger, Rep By 374014	1	
1	374014	(xxxxxx-yyyyyy)	Charger, 36vdc 20a 115vac 1ph 60hz	1	
1	222594	(000000-xxxxxx)	Charger, 36v Rep.By 374015	1	
1	374015	(xxxxxx-yyyyyy)	Charger, 36vdc 30a 120vac 1ph 60hz	1	
▽	2	9001055	(yyyyyy-)	Charger Kit, Battery, Ci [Domestic]	1
▲	3	1017079	(yyyyyy-)	Cord, Ele, Chrgr [Onboard]	1

International Only

Ref.	Part No.	Serial Number	Description	Qty.	
4	65540	(000000-yyyyyy)	Charger, 36vdc 20a 230vac 1ph 50hz	1	
4	65740	(000000-yyyyyy)	Charger, 36vdc 20a 245vac 1ph 50hz	1	
4	222595	(000000-yyyyyy)	Charger, 36vdc 30a 230vac 1ph 50hz	1	
4	222691	(000000-yyyyyy)	Charger, 36vdc 30a 245vac 1ph 50hz	1	
▽	5	9001054	(yyyyyy-)	Charger Kit, Ci [Export/Euro/Asia]	1
▲	6	1019242	(yyyyyy-)	Cord, Ele, Chrgr [European]	1

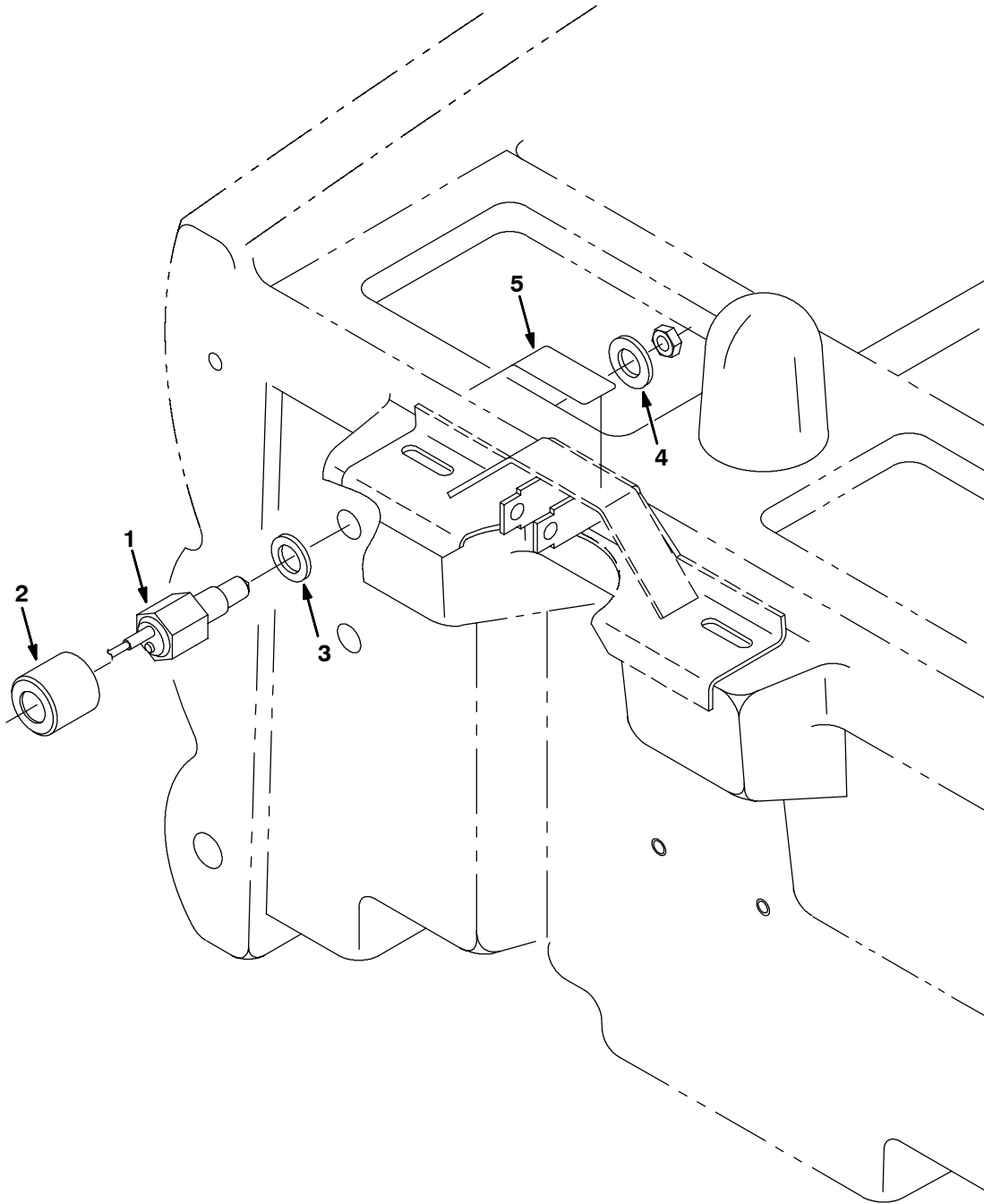
Fig. 18 - Urethane Scrub Head Skirt Kit



10604 - ALL

	Ref.	Part No.	Serial Number	Description	Qty.
▽		222819	(000000-) Skirt Kit, Urethane, Scrubber Head	1
▲	1	222808	(000000-) Skirt, Scrub Head	4

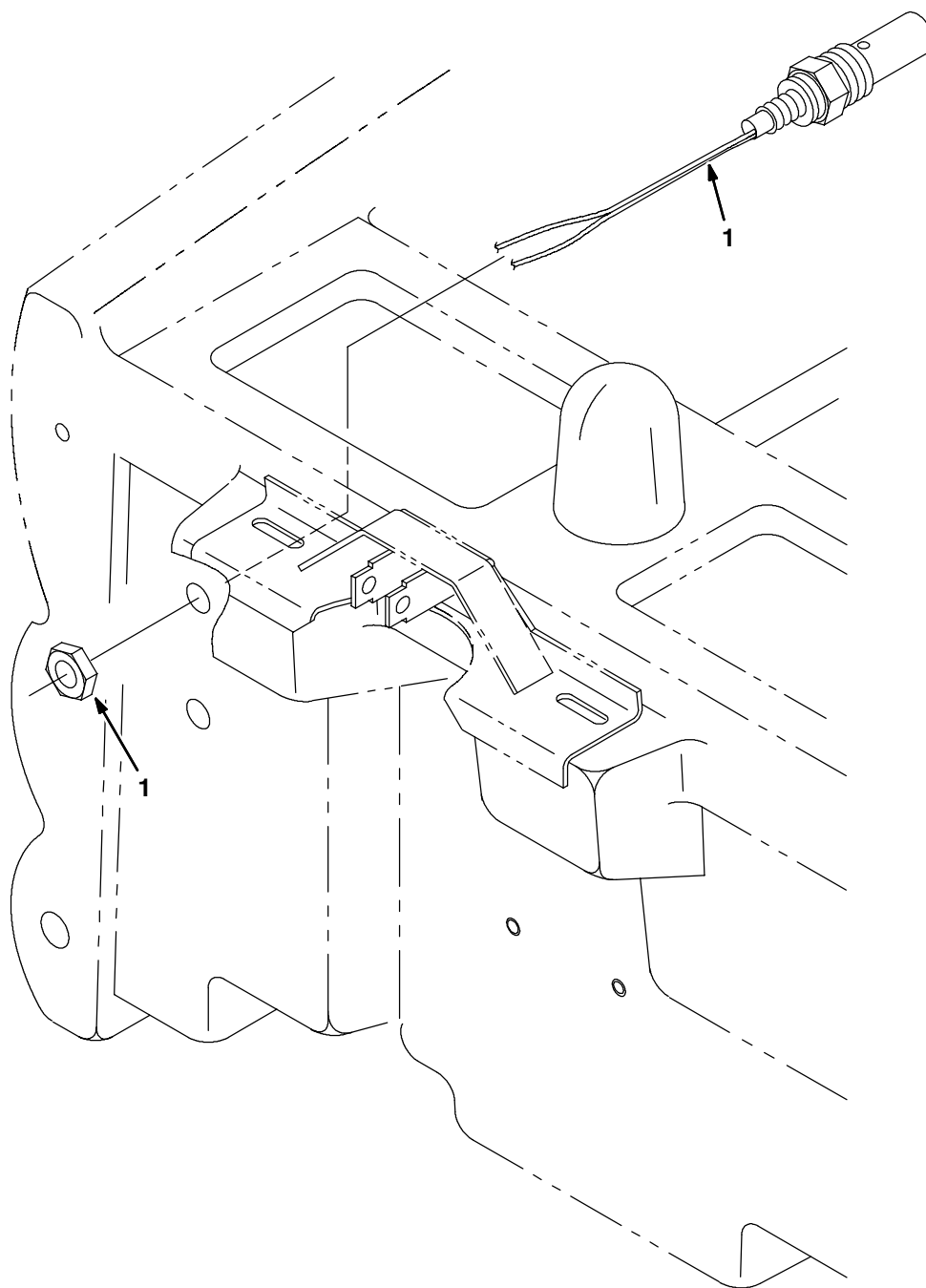
Fig. 19 - Sensor Kit, Optical (000000-xxxxxx)



352090 - 5700, EE, XP, NA, CE

Ref.	Part No.	Serial Number	Description	Qty.
▽	374046	(000000- xxxxxx)	Kit, Sensor, Optical	1
▲	1 374045	(000000- xxxxxx)	Sensor, Optical	1
▲	2 374072	(000000- xxxxxx)	Cap, Vinyl, 1.25ld, .75Dia	1
▲	3 01316	(000000- xxxxxx)	Washer, .660B 1.00D .12Rbr	1
▲	4 04400	(000000- xxxxxx)	Washer-Flt 17 X 30 X3 Ss M16	1
▲	5 222845	(000000- xxxxxx)	Label, Clean Level Sensor Daily	1

Fig. 20 - Sensor Kit, Shielded



353201 - 5700, EE, XP, NA, CE

	Ref.	Part No.	Serial Number	Description	Qty.
▽		374109	(000000-) Kit, Sensor, Shielded	1
▲	1	374078	(000000-) Switch, Float	1

Fig. 21 - FaST Air Pump and Detergent Group (00000-022740)

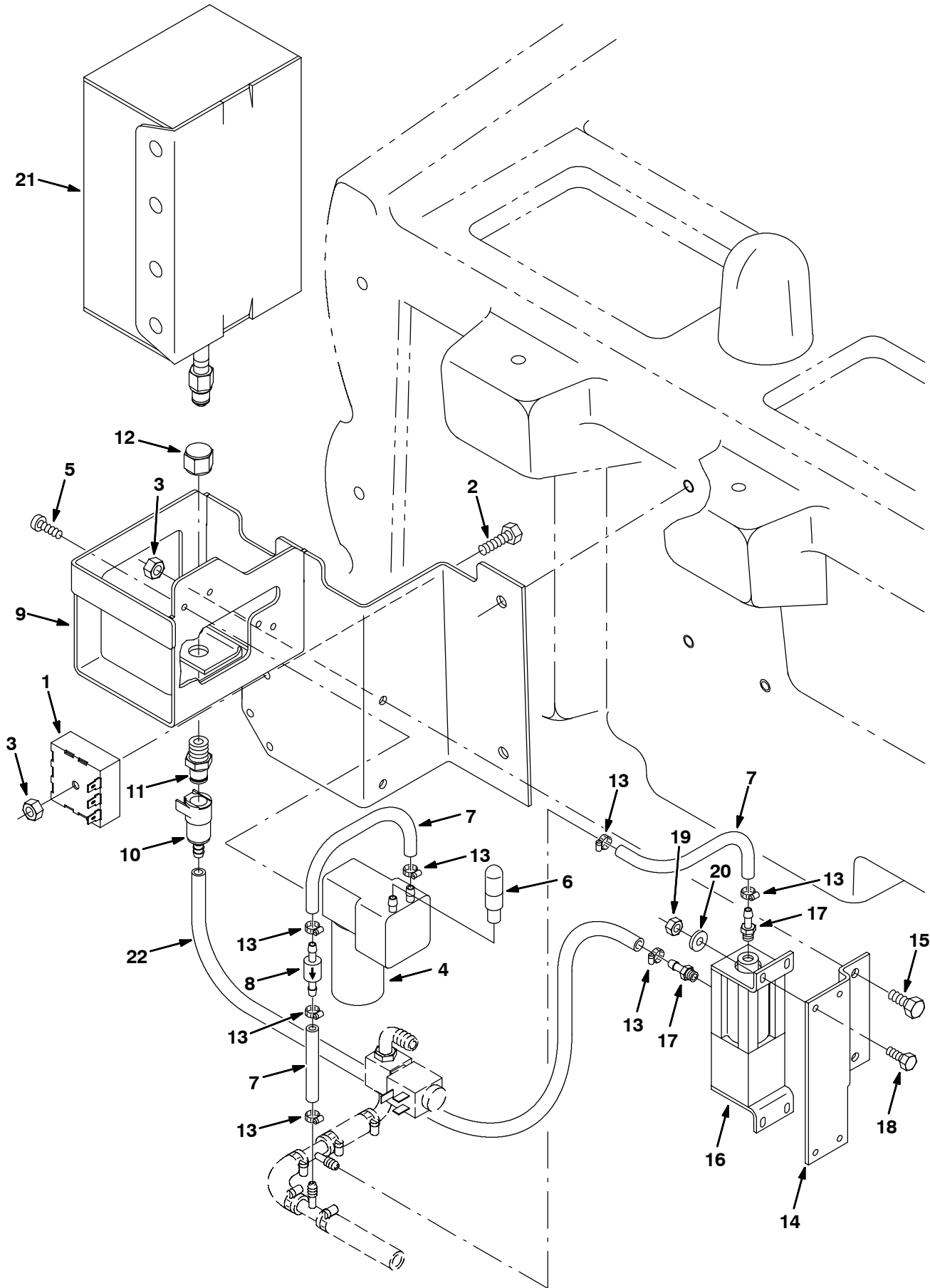


Fig. 21 - FaST Air Pump and Detergent Group (000000-022740)

Ref.	Part No.	Serial Number	Description	Qty.	
1	1028487	(000000-022740)	Timer, 36vdc, Detgt [,35on/1.38off]	1	
2	06945	(000000-022740)	Screw, Hex, M06 X 1.0 X 30, 8.8	1	
3	08708	(000000-022740)	Nut, Hex, Lock, M06 X 1.0, NI	3	
▽	4	1008211	(000000-022740)	Pump, Air, Ele, 36vdc	1
▲	391449	(000000-022740)	Kit, Repair, Diaphragm, Air Compressor	1	
5	49162	(000000-022740)	Screw, Pan, #08-10 X 0.50, F/Plstc	2	
6	1005255	(000000-022740)	Filter Assy, Air, Molded Ure	1	
7	1006420	(000000-022740)	Hose, Afmkt Replmt, Clr, 0.19id 3Ft	1	
8	1005327	(000000-022740)	Fitting, Plstc, Cvalve, Bm03/Bm03	1	
9	1008349	(000000-022740)	Bracket, Wldt, Box, Detgt	1	
10	1002898	(000000-022740)	Coupling, Fem, W/ Valve, .25 Brb	1	
11	1002899	(000000-022740)	Coupling, Mal, .25 Npt	1	
12	1005435	(000000-022740)	Fitting, Plstc, Piep, Cap, Pf04	1	
13	43844	(000000-022740)	Clamp, Hose, Wormdrive, 0.25-0.62d	7	
14	1008354	(000000-022740)	Plate, Mtg, Pump	1	
15	08716	(000000-022740)	Screw, Hex, M06 X 1.0 X 20, Ss	2	
16	9000548	(000000-022740)	Pump Kit, Detgt, Replmt, [5680/5700]	1	
17	1005739	(000000-022740)	Fitting, Plstc, Str, Bm03, 1/4-28, Kynar	2	
18	09206	(000000-022740)	Screw, Hex, M04 X 0.7 X 12, 8.8	4	
19	42368	(000000-022740)	Nut, Hex, Std, M04 X 0.7	4	
20	19065	(000000-022740)	Washer, Flat, #08	4	
21	1017015	(000000-022740)	Detergent Pkg, 2 Liter, Sgl, 365	-	
22	1006415	(000000-022740)	Hose, Afmkt Replmt, Clr, 0.25id 3Ft	1	

Fig. 22 - FaST Air Pump and Detergent Group (022741-024027)

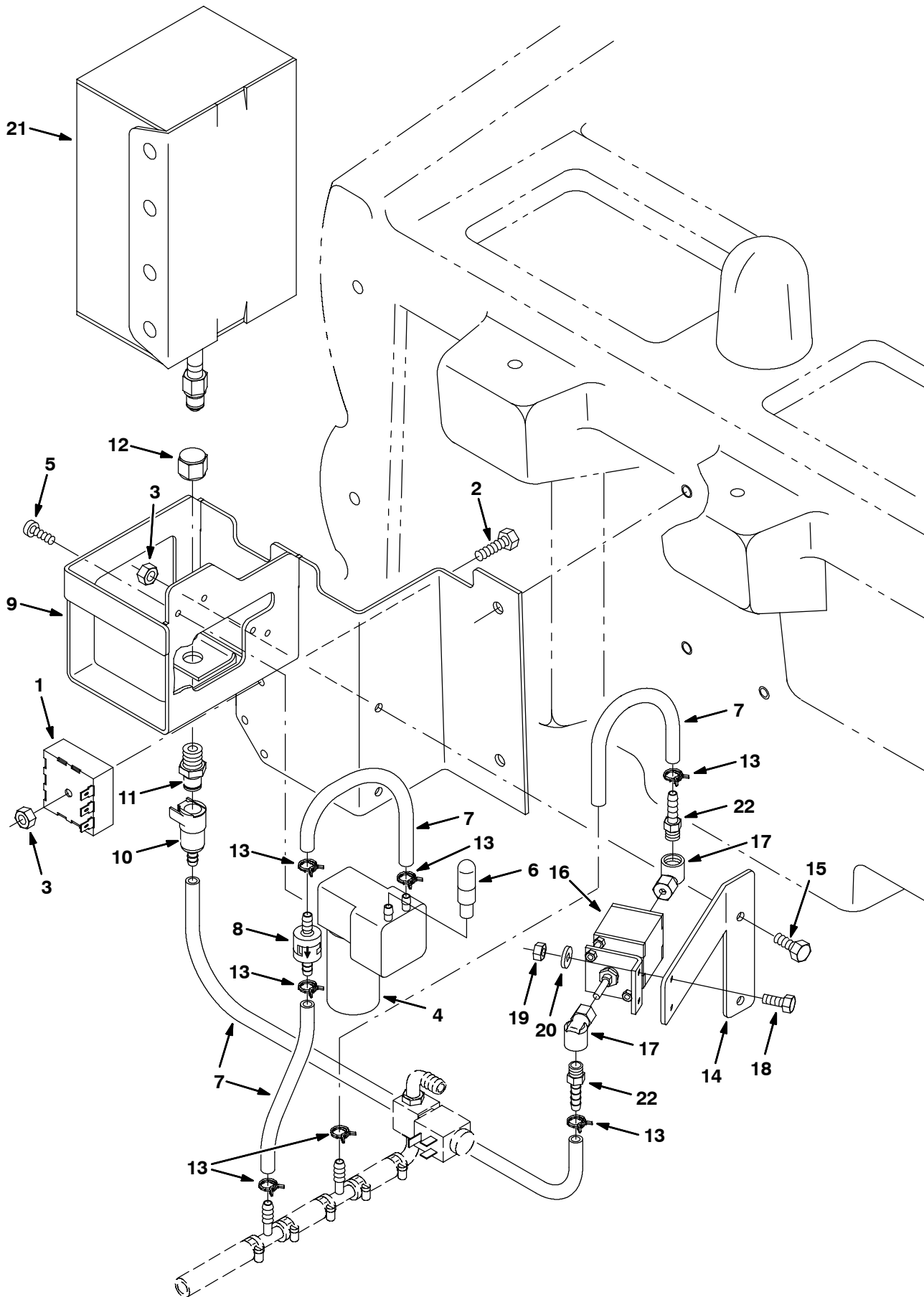


Fig. 22 - FaST Air Pump and Detergent Group (022741-024027)

Ref.	Part No.	Serial Number	Description	Qty.	
1	1028487	(022741-024027)	Timer, 36vdc, Detgt [.35on/1.38off]	1	
2	06945	(022741-024027)	Screw, Hex, M06 X 1.0 X 30, 8.8	1	
3	08708	(022741-024027)	Nut, Hex, Lock, M06 X 1.0, NI	3	
▽	4	1008211	(022741-024027)	Pump, Air, Ele, 36vdc	1
▲	391449	(022741-024027)	Kit, Repair, Diaphragm, Air Compressor	1	
5	49162	(022741-024027)	Screw, Pan, #08-10 X 0.50, F/Plstc	2	
6	1005255	(022741-024027)	Filter Assy, Air, Molded Ure	1	
7	1014985	(022741-024027)	Hose, Afmkt, Pvc, Clr 0.25id 8ft	1	
8	1013902	(022741-024027)	Valve, Check, 2 Gpm 2 Psi Bm04/Bm04	1	
9	1008349	(022741-024027)	Brkt Wldt, Box, Dtrgt	1	
10	1002898	(022741-024027)	Coupling, Fem, W/ Valve, .25 Brb	1	
11	1002899	(022741-024027)	Coupling, Mal, .25 Npt	1	
12	1005435	(022741-024027)	Fitting, Plstc, Piep, Cap, Pf04	1	
13	613735	(022741-024027)	Clamp, Hose, Wire, .40 - .42	7	
14	1015042	(022741-024027)	Plate, Mtg, Detgt Pump	1	
15	08716	(022741-024027)	Screw, Hex, M06 X 1.0 X 20, Ss	2	
16	1014553	(022741-024027)	Pump, Detgt, [560s]	1	
17	1014082	(022741-024027)	Fitting, Brs, E90, Cf03/Pf02	2	
18	09206	(022741-024027)	Screw, Hex, M04 X 0.7 X 12, 8.8	4	
19	02850	(022741-024027)	Nut, Hex, Lock, M4 X 0.7, NI	2	
20	19065	(022741-024027)	Washer, Flat, #08	4	
21	1017015	(022741-024027)	Detergent Pkg, 2 Liter, Sgl, 365	-	
22	150525	(022741-024027)	Fitting, Brs, Str, Pm02/Bm04	2	

Fig. 23 - FaST Air Pump and Detergent Group (024028-)

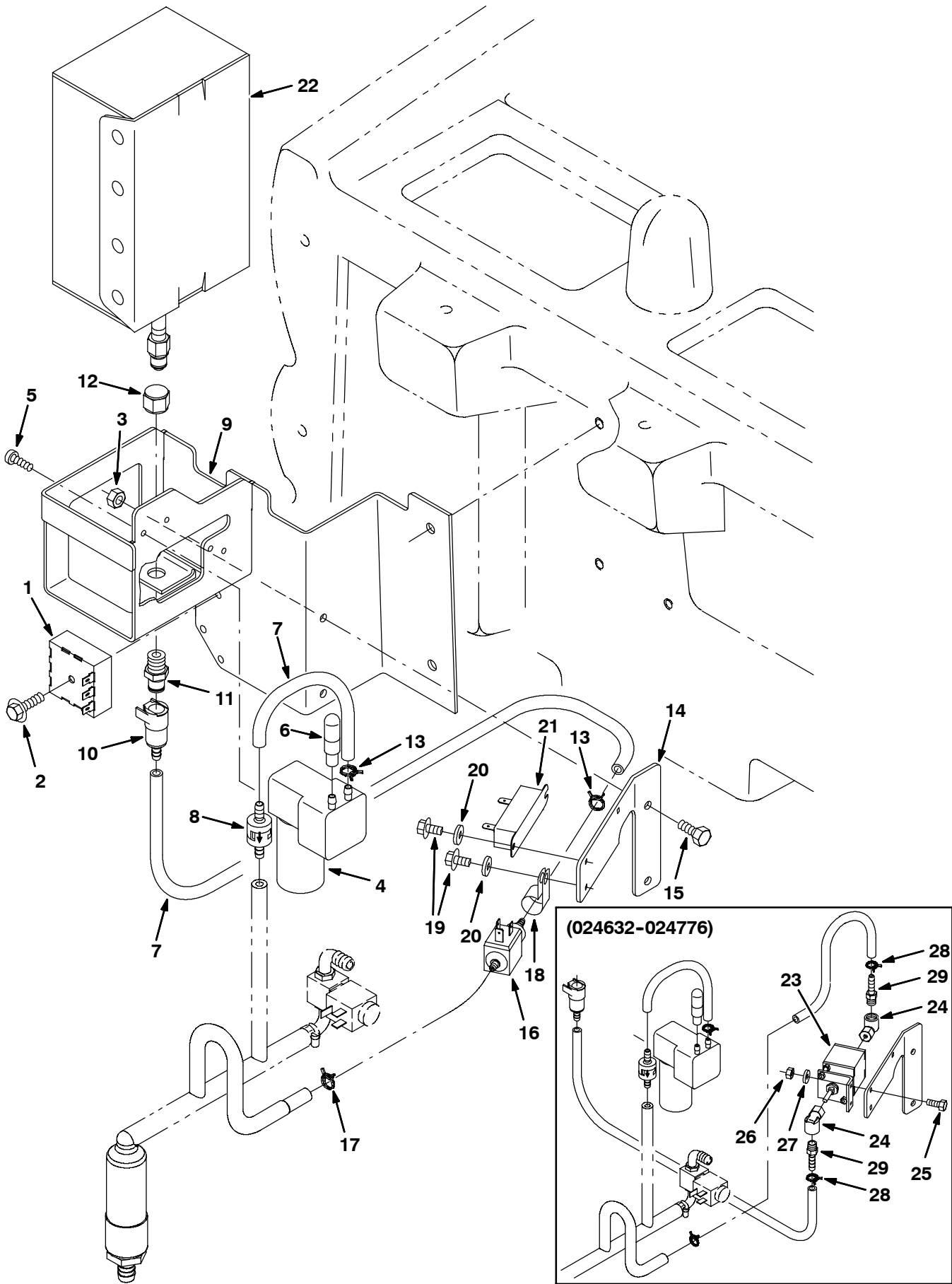


Fig. 23 - FaST Air Pump and Detergent Group (024028-)

Ref.	Part No.	Serial Number	Description	Qty.	
1	1028487	(024028-) Timer, 36vdc, Detgt [.35on/1.38off]	1	
2	222159	(024028-) Screw, Hex, M6 X 1.0 X 25, Fmg	1	
3	08708	(024028-) Nut, Hex, Lock, M06 X 1.0, NI	2	
▽	4	1008211	(024028-) Pump, Air, Ele, 36vdc	1
▲	391449	(024028-) Kit, Repair, Diaphragm, Air Compressor	1	
5	49162	(024028-) Screw, Pan, #08-10 X 0.50, F/Plstc	2	
6	1005255	(024028-) Filter Assy, Air, Molded Ure	1	
7	1014985	(024028-) Hose, Afmkt, Pvc, Clr 0.25id 8ft	1	
8	1013902	(024028-) Valve, Check, 2 Gpm 2 Psi Bm04/Bm04	1	
9	1008349	(024028-) Brkt Wldt, Box, Dtrgt	1	
10	1002898	(024028-) Coupling, Fem, W/ Valve, .25 Brb	1	
11	1002899	(024028-) Coupling, Mal, .25 Npt	1	
12	1005435	(024028-) Fitting, Plstc, Piep, Cap, Pf04	1	
13	613735	(024028-) Clamp, Hose, Wire, .40 - .42	2	
14	1015042	(024028-) Plate, Mtg, Detgt Pump	1	
15	08716	(024028-) Screw, Hex, M06 X 1.0 X 20, Ss	2	
16	1005413	(024028-) Pump, Detgt, [560s]	1	
17	1031375	(024028-) Clamp, Hose, Wir, .29 - .31 [Dbl Wire]	1	
18	67767	(024028-) Clamp, Cable, Stl, 0.69d X 0.62w, 1h	1	
19	16944	(024028-) Screw, Hex, M4 X 0.7 X 10, Fmg	3	
20	19065	(024028-) Washer, Flat, #08	3	
21	1020542	(024028-) Resistor, 011.00ohm, 40watt	1	
22	1017015	(024028-) Detergent Pkg, 2 Liter, Sgl, 365	-	
22	1017022	(024028-) Detergent Pkg, 2 Liter, Sgl, 665	-	
22	9002021	(024028-) Detergent, 2 Liter [Fast 965]	-	
23	1014553	(024632-024776)	Pump, Detgt, [560s]	1	
24	1014082	(024632-024776)	Fitting, Brs, E90, Cf03/Pf02	2	
25	09206	(024632-024776)	Screw, Hex, M04 X 0.7 X 12, 8.8	2	
26	02850	(024632-024776)	Nut, Hex, Lock, M4 X 0.7, NI	2	
27	19065	(024632-024776)	Washer, Flat, #08	2	
28	613735	(024632-024776)	Clamp, Hose, Wire, .40 - .42	2	
29	150525	(024632-024776)	Fitting, Brs, Str, Pm02/Bm04	2	

Fig. 24 - FaST Solution Supply Group, Disk Scrub Head

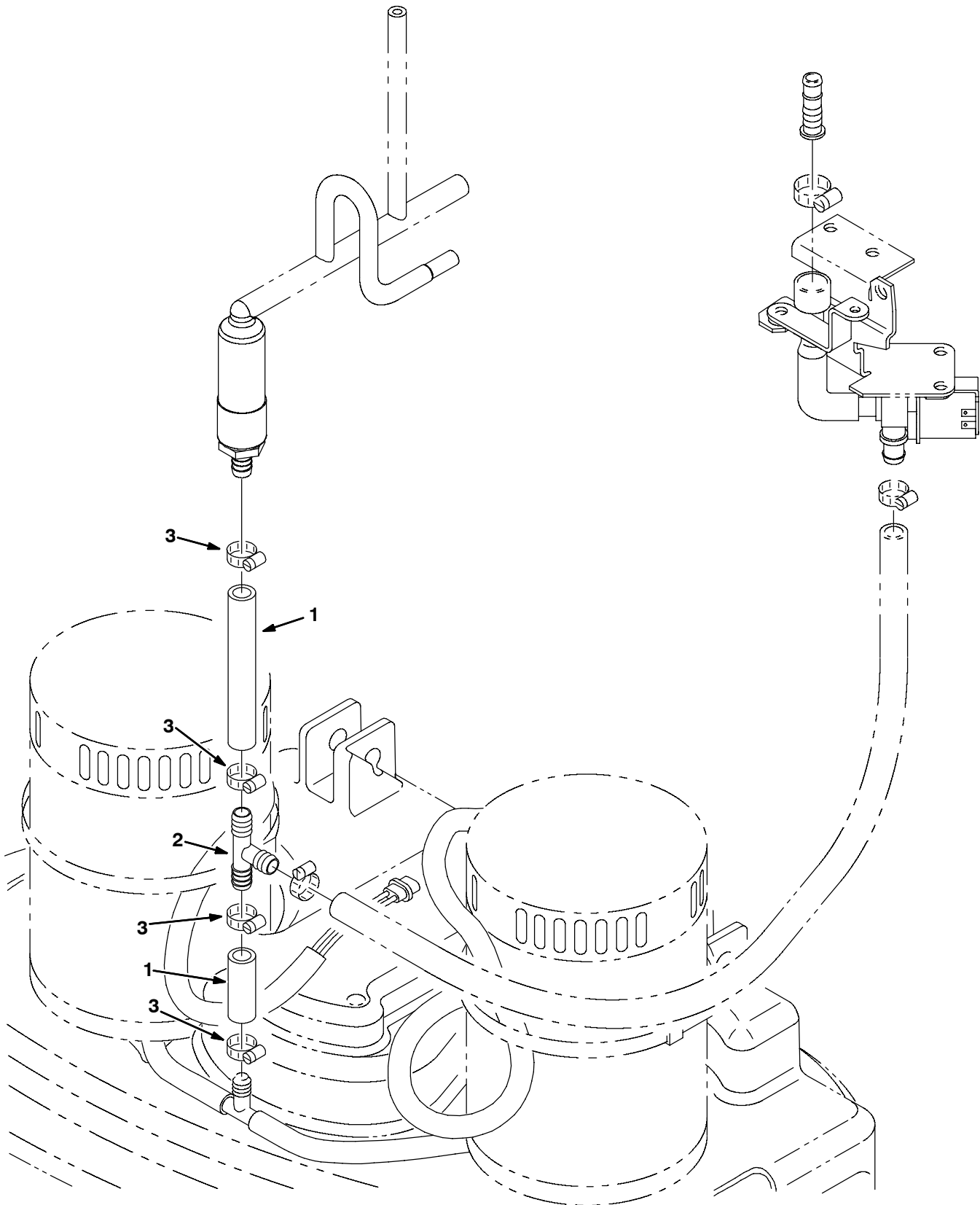


Fig. 24 - FaST Solution Supply Group, Disk Scrub Head

Ref.	Part No.	Serial Number	Description	Qty.
1	1006401	(000000-) Hose, Afmkt, Replmt, Brd, 0.50ld 3Ft	1
2	63245-1	(000000-) Fitting, Plstc, Tee, Bm08/Bm08/Bm08	1
3	54333	(000000-) Clamp, Hose, Wormdrive, 0.31-0.88D	4

Fig. 25 - FaST Solution Supply Group, Model 700C / 800C Scrub Head

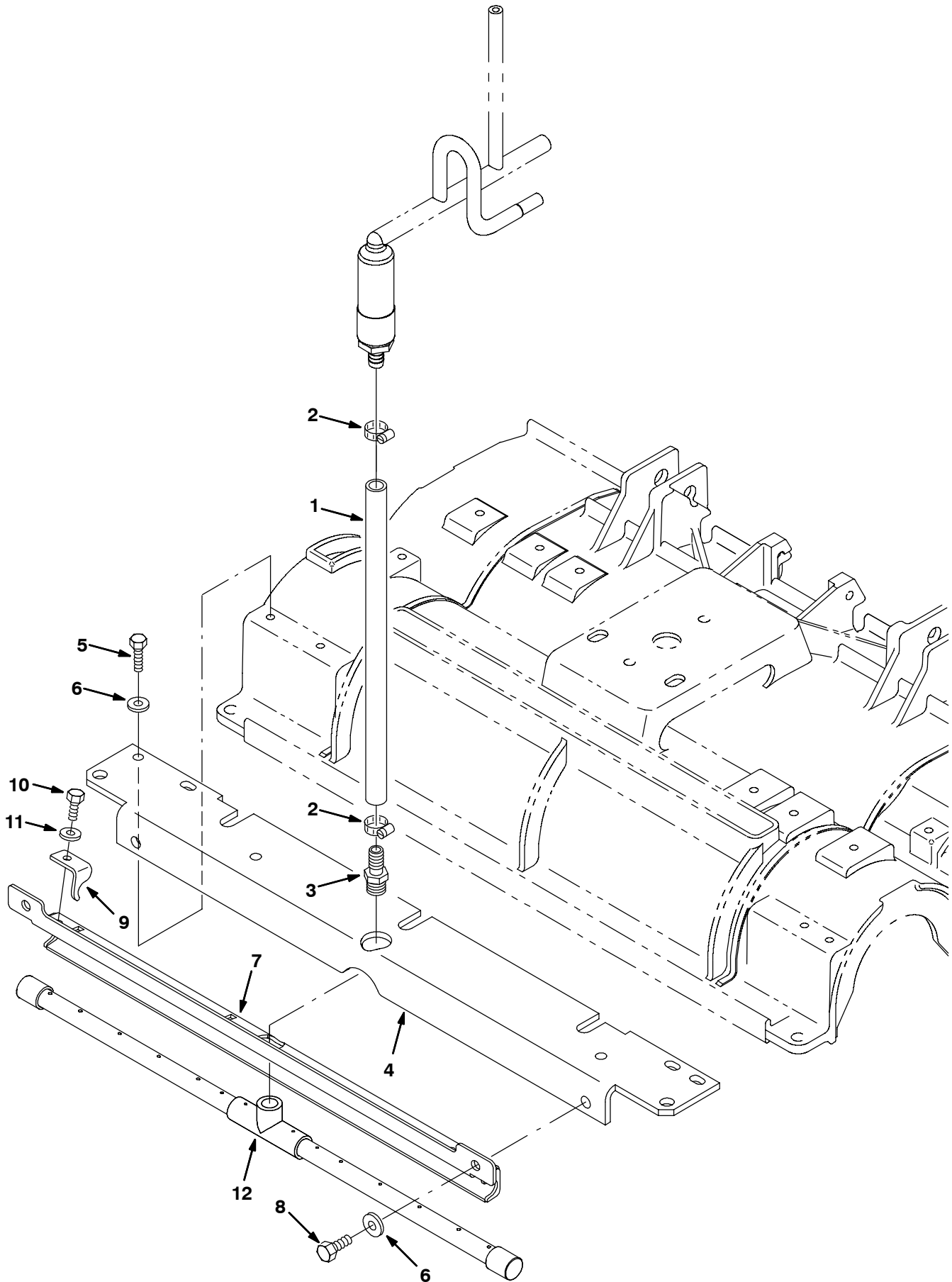


Fig. 25 - FaST Solution Supply Group, Model 700C / 800C Scrub Head

Ref.	Part No.	Serial Number	Description	Qty.
1	1006401	(000000-) Hose, Afmkt, Replmt, Brd, 0.50ld 3Ft	1
2	54333	(000000-) Clamp, Hose, Wormdrive, 0.31-0.88d, .31w	2
3	64743	(000000-) Fitting, Plstc, Str, Bm08/Pm06	1
4	1019314	(000000-) Angle, Head, Cyl, 700mm	1
4	1019440	(000000-) Angle, Head, Cyl, 800mm	1
5	76099	(000000-) Screw, Hex, M8 X 1.25 X 25, Fmg	4
6	01685	(000000-) Washer, Flat, 0.38b 0.88d .08, Ss	6
7	1014993	(000000-) Bracket Wldt, Bar, Spray, 700mm	1
7	1014957	(000000-) Bracket Wldt, Bar, Spray, 800mm	1
8	12273	(000000-) Screw, Hex, M8 X 1.25 X 20, Ss, NI	2
9	1014673	(000000-) Bracket, Bar, Spray	3
10	11635	(000000-) Screw, Hex, M6 X 1.0 X 12, Ss, NI	3
11	01684	(000000-) Washer, Flat, 0.25 Ss	3
12	1014791	(000000-) Tube Assy, Bar, Spray 700mm	1
12	1013079	(000000-) Tube Assy, Spray, Cyl, 800mm	1

Fig. 26 - FaST Foam Filter Group

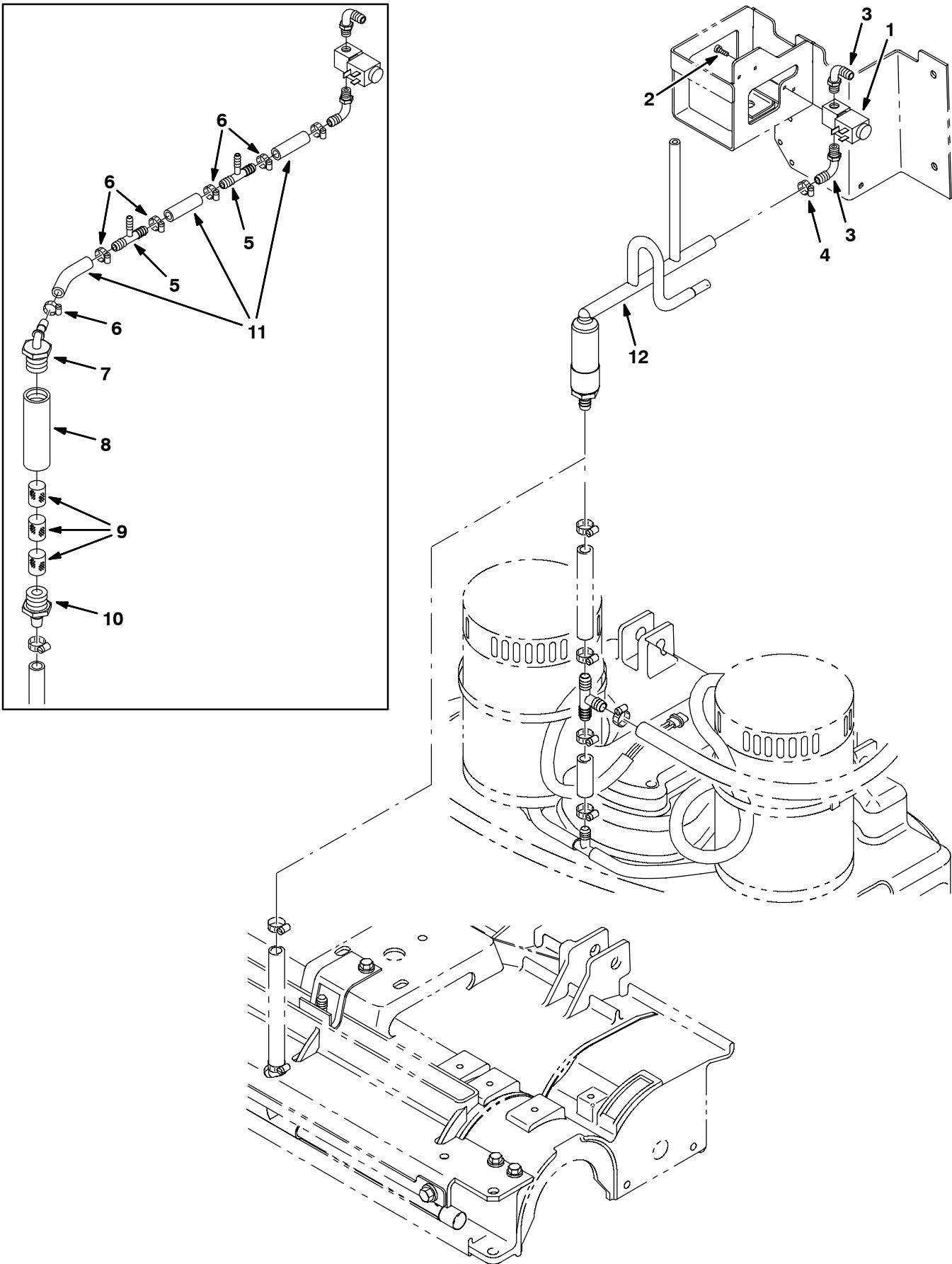


Fig. 26 - FaST Foam Filter Group

Ref.	Part No.	Serial Number	Description	Qty.
1	1028578	(000000-) Valve, Water, Solenoid, 36vdc Pf02	1
2	49162	(000000-) Screw, Pan, #08-10 X 0.50, F/Plstc	2
3	1005564	(000000-) Fitting, Plstc, E90, Bm06/Pm02, Nyl	2
4	43844	(000000-) Clamp, Hose, Wormdrive, 0.25-0.62D, .31W	1
5	61456	(000000-022740) Fitting, Plstc, Tee, Bm06/Bm03/Bm06	2
5	50895	(022741-024027) Fitting, Plstc, Tee, Bm06/Bm04/Bm06	2
6	43844	(000000-024027) Clamp, Hose, Wormdrive, 0.25-0.62d	5
7	79484	(000000-024027) Fitting, Plstc, E90, Bm06/Pm12, Nyl	1
8	1005086	(000000-024027) Tube, Plastic, 25mm Id	1
9	1002789	(000000-024027) Filter, Foam	3
10	79273-1	(000000-024027) Fitting, Plstc, Str, Bm08/Pm12	1
11	1006400	(000000-024027) Hose, Afmkt Replmt, Brd, 0.38id 3Ft	1
12	1020364	(024028-) Manifold, [FaST 5700]	1

Fig. 27 - FaST Solution Pump Group

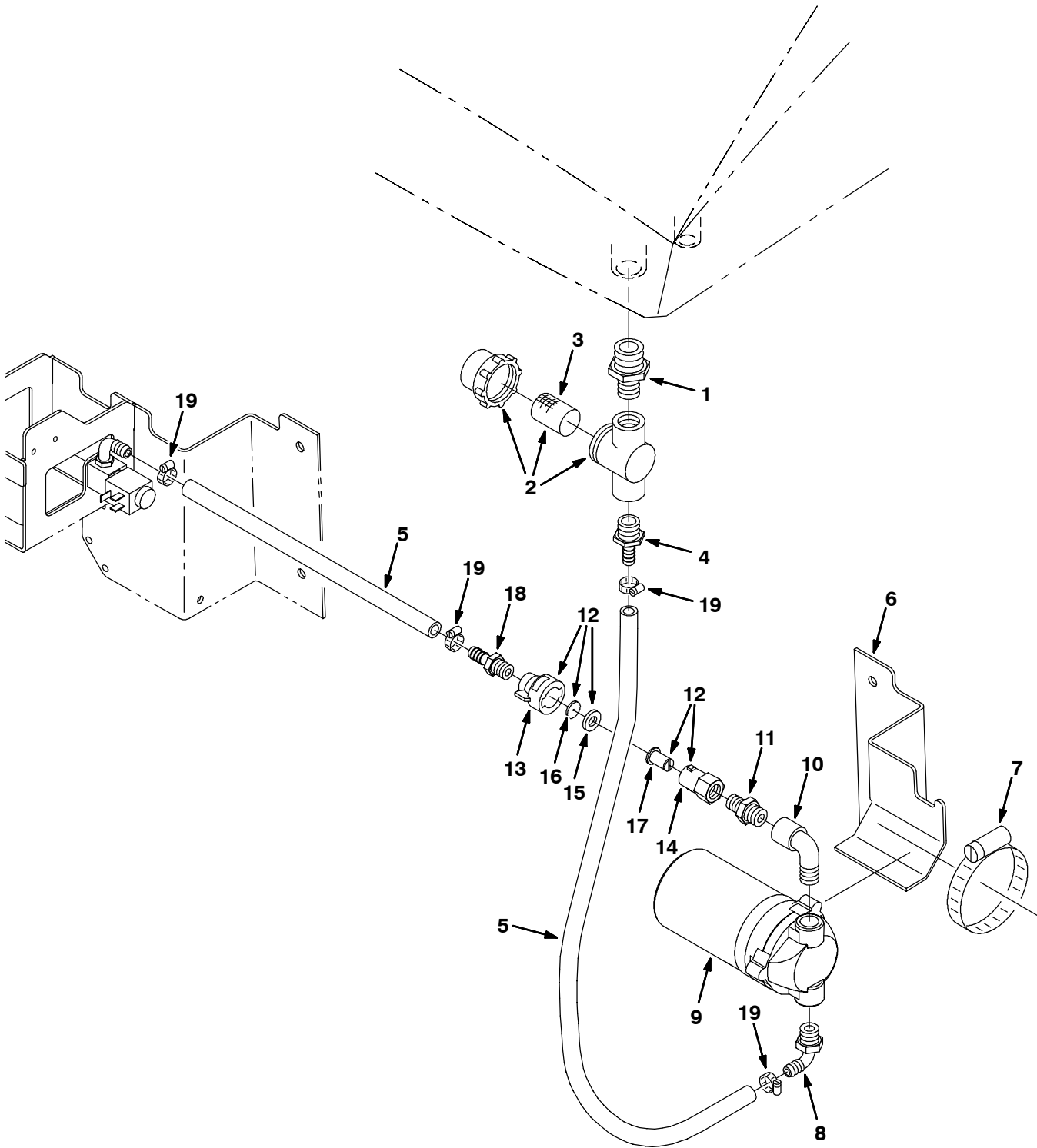
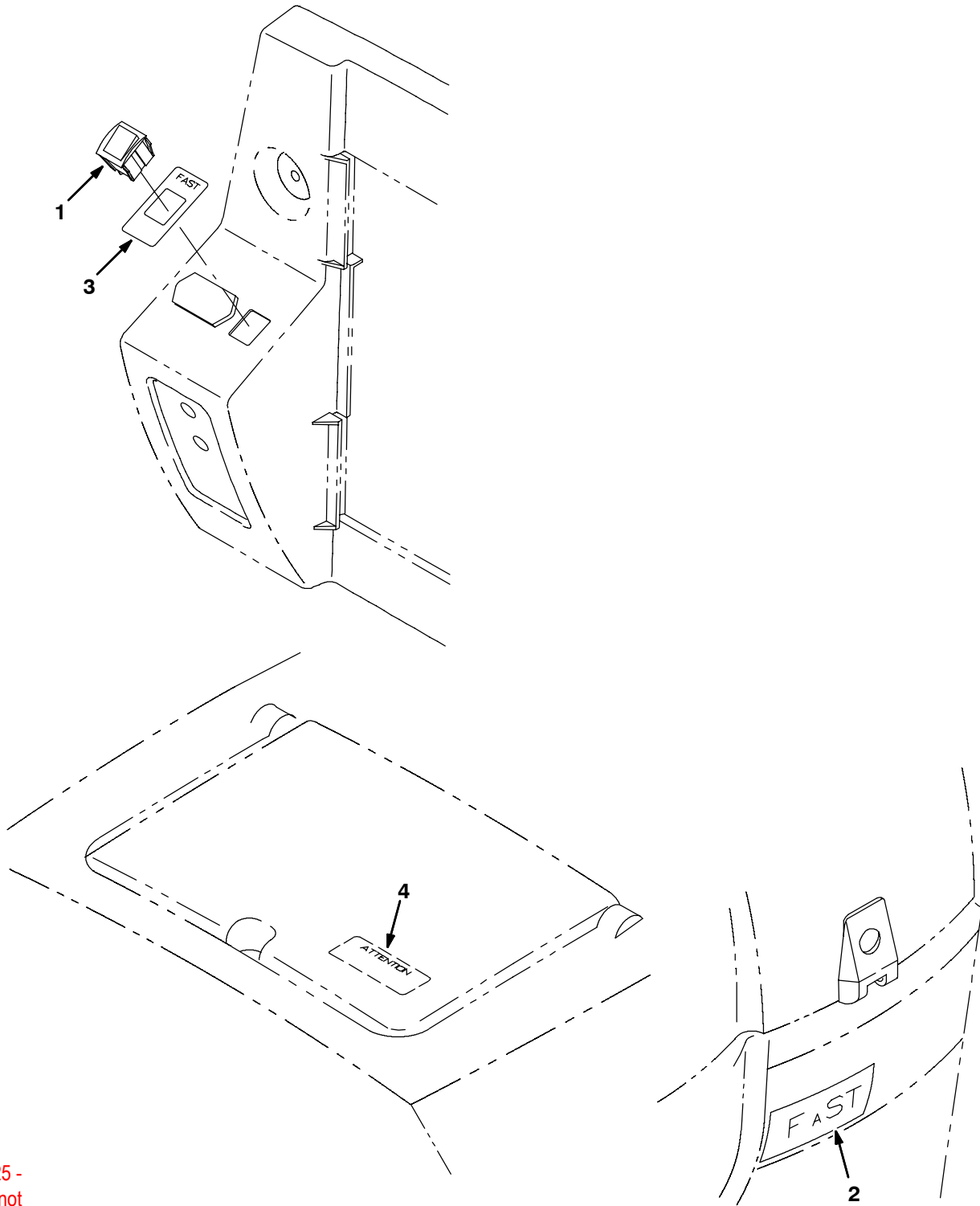


Fig. 27 - FaST Solution Pump Group

	Ref.	Part No.	Serial Number	Description	Qty.
	1	1005218	(000000-) Fitting, Plstc, Str, Pm08/Pm12	1
▽	2	1005388	(000000-) Filter, Inline, Pf08/Pf08, 80 Mesh	1
▲	3	1005304	(000000-) Screen, Filter, 80 Mesh	1
	4	79273	(000000-) Fitting, Plstc, Str, Bm06/Pm08	1
	5	1006400	(000000-) Hose, Afmkt Replmt, Brd, 0.38id 3Ft	1
	6	1002603	(000000-) Brkt, Pump, Solution	1
	7	43555	(000000-) Clamp, Hose, Wormdrive, 1.62-3.50d	1
	8	1005630	(000000-) Fitting, Plstc, E90, Bm06/Pm06, Nyl	1
▽	9	1005866	(000000-) Pump, Solution, Ele, 36vdc	1
▲		391433	(000000-) Head, Pump, Kit	1
	10	1005318	(000000-) Fitting, Plstc, E90, Pf06/Pm06, Nyl	1
	11	1005219	(000000-) Fitting, Plstc, Str, Pm04/Pm06	1
▽	12	1005522	(000000-) Fitting, Plstc, Cap Assy, 0.040b, Pf04	1
▲	13	1005506	(000000-) Fitting, Plstc, Cap, Spray, Pf04	1
▲	14	1005507	(000000-) Fitting, Plstc, Body, Spray, Pf04	1
▲	15	1005508	(000000-) Washer, 0.34b 0.75d 0.12, Epdm	1
▲	16	1005510	(000000-) Plate, Orifice, 0.040id	1
▲	17	1006447	(000000-) Screen, 50 Mesh, Ss	1
	18	49186	(000000-) Fitting, Plstc, Str, Bm06/Pm04	1
	19	43844	(000000-) Clamp, Hose, Wormdrive, 0.25-0.62d	4

Fig. 28 - FaST Operator Console Group

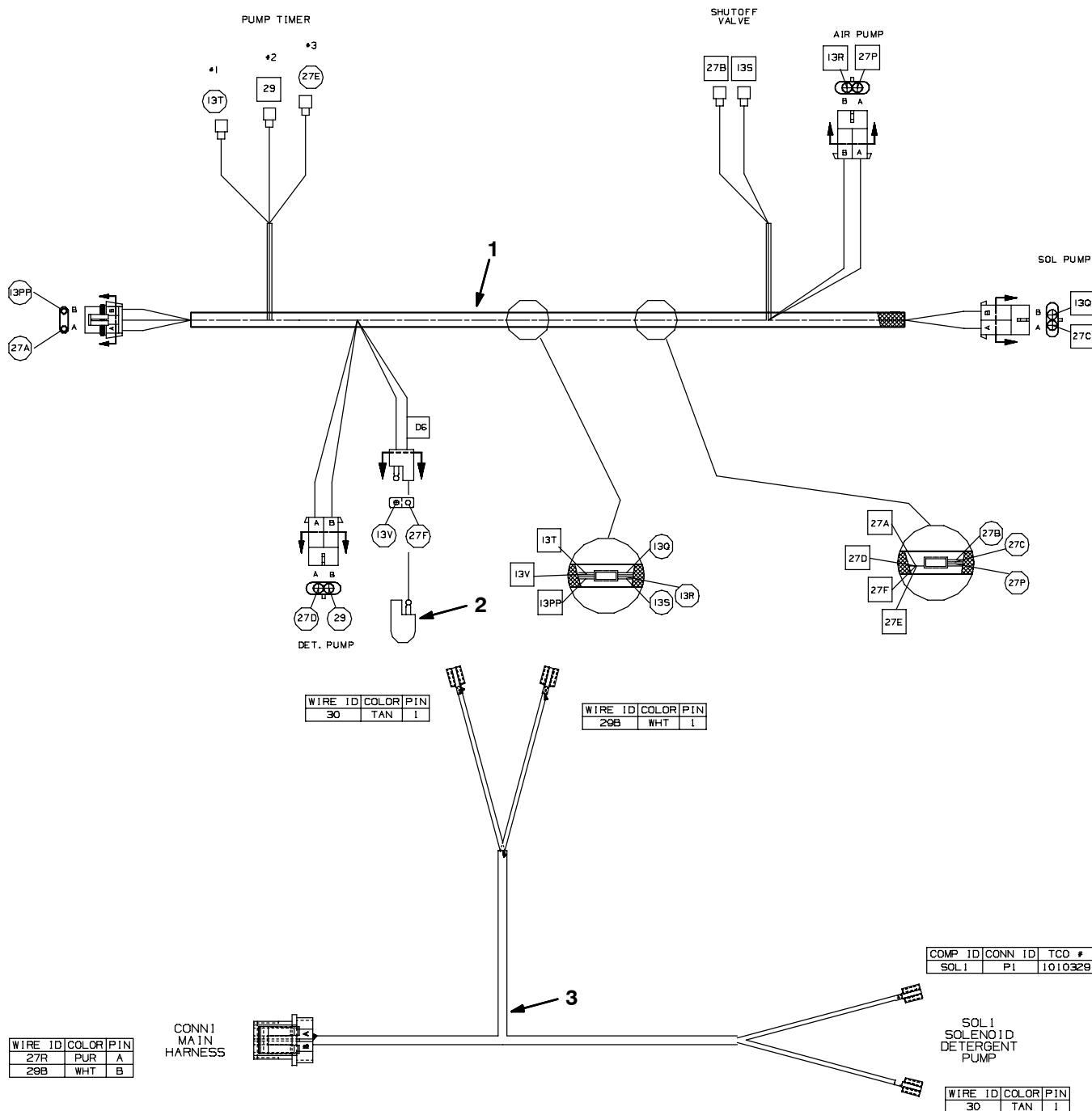


354047 - 5700, XP, NA, CE

Use 1005425 -
1008270 is not
saleable

Ref.	Part No.	Serial Number	Description	Qty.
1	363607	(000000-)	Switch, Rocker, 28vdc 16a Dpdt On/N/On	1
2	1005416	(000000-)	Label, Fast	2
3	1005425	(000000-)	Label Set, Fast	1
3	1008270	(000000-)	Label, Switch, Fast	1
4	391451	(000000-)	Label, Attention, Fast	1

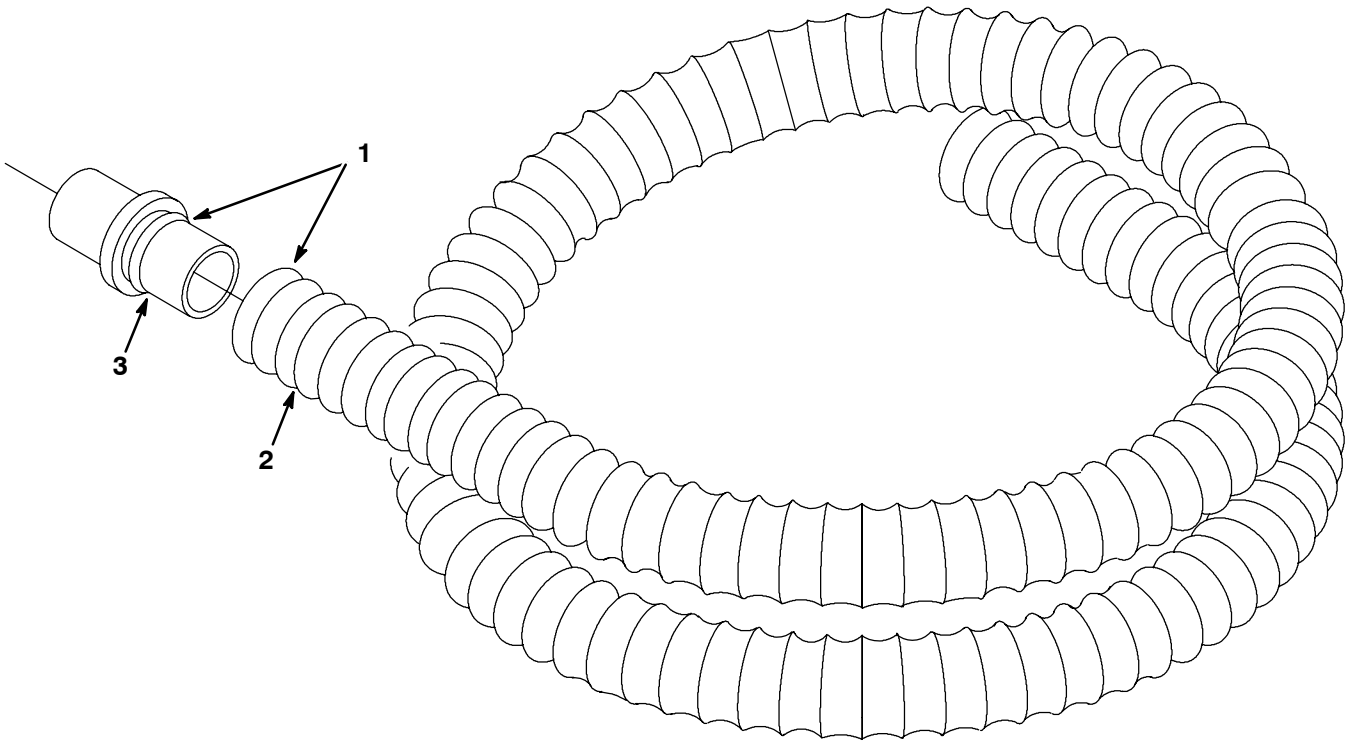
Fig. 29 - FaST Wire Harness Group



354048, 1020556 - 5700, XP, NA, CE

Ref.	Part No.	Serial Number	Description	Qty.
1	397906	(000000-)	Harness, Ele, Fast [5700]	1
2	222290	(000000-)	Diode, Ele, Plug	1
3	1020556	(024028-)	Harness, Adaptor, [Fast Det 36V To 24V]	1

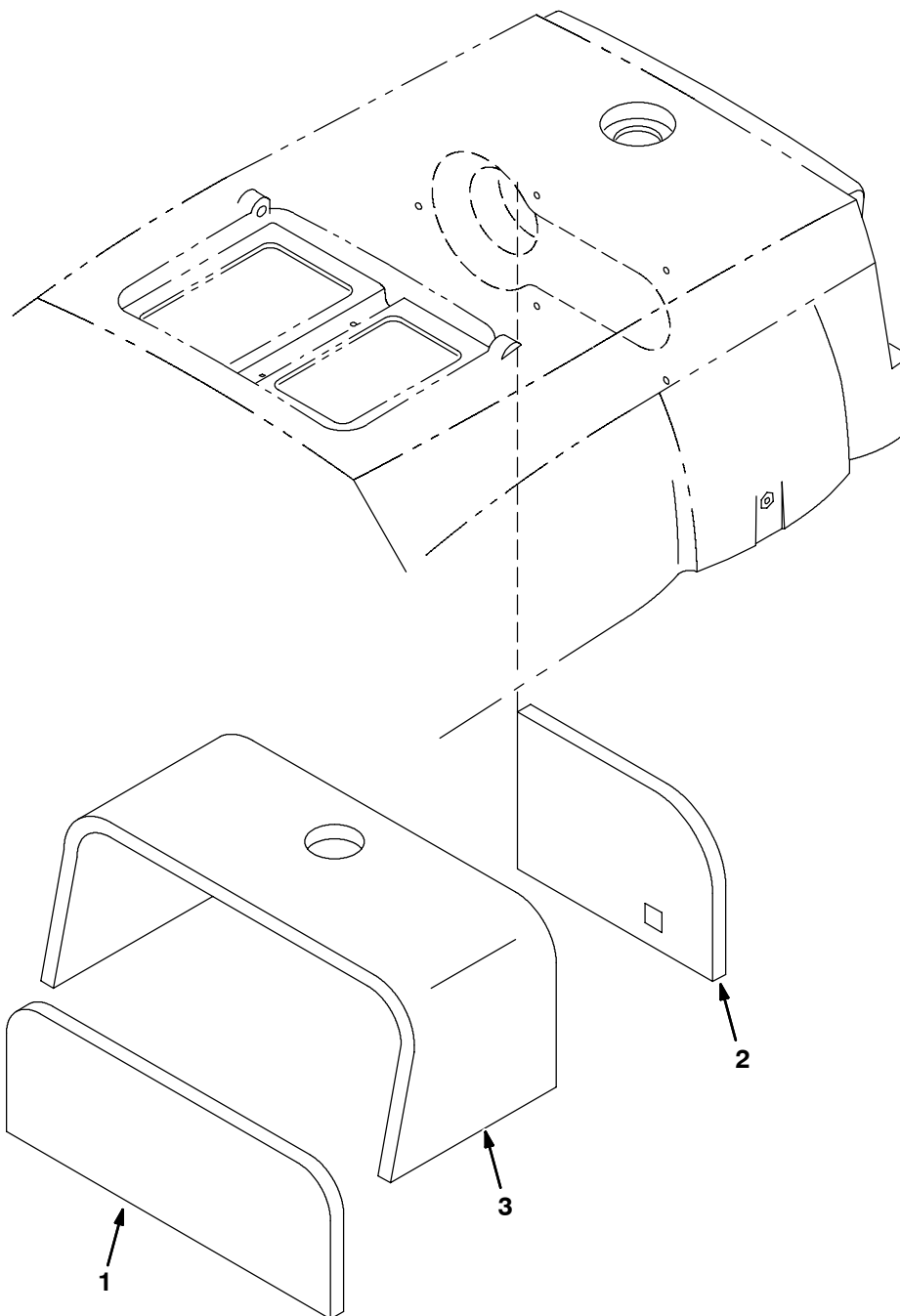
Fig. 30 - Drain Hose Extension Kit



352013 - 5700, EE, XP, NA, CE

Ref.	Part No.	Serial Number	Description	Qty.
▽	378729	(000000-) Hose, Drain, Extension	1
▲▽	1 378728	(000000-) Hose Assy, Drain	1
▲▲	2 378726	(000000-) Hose, Drain	1
▲▲	3 12694	(000000-) Ftg, Plastic, Coupling	1

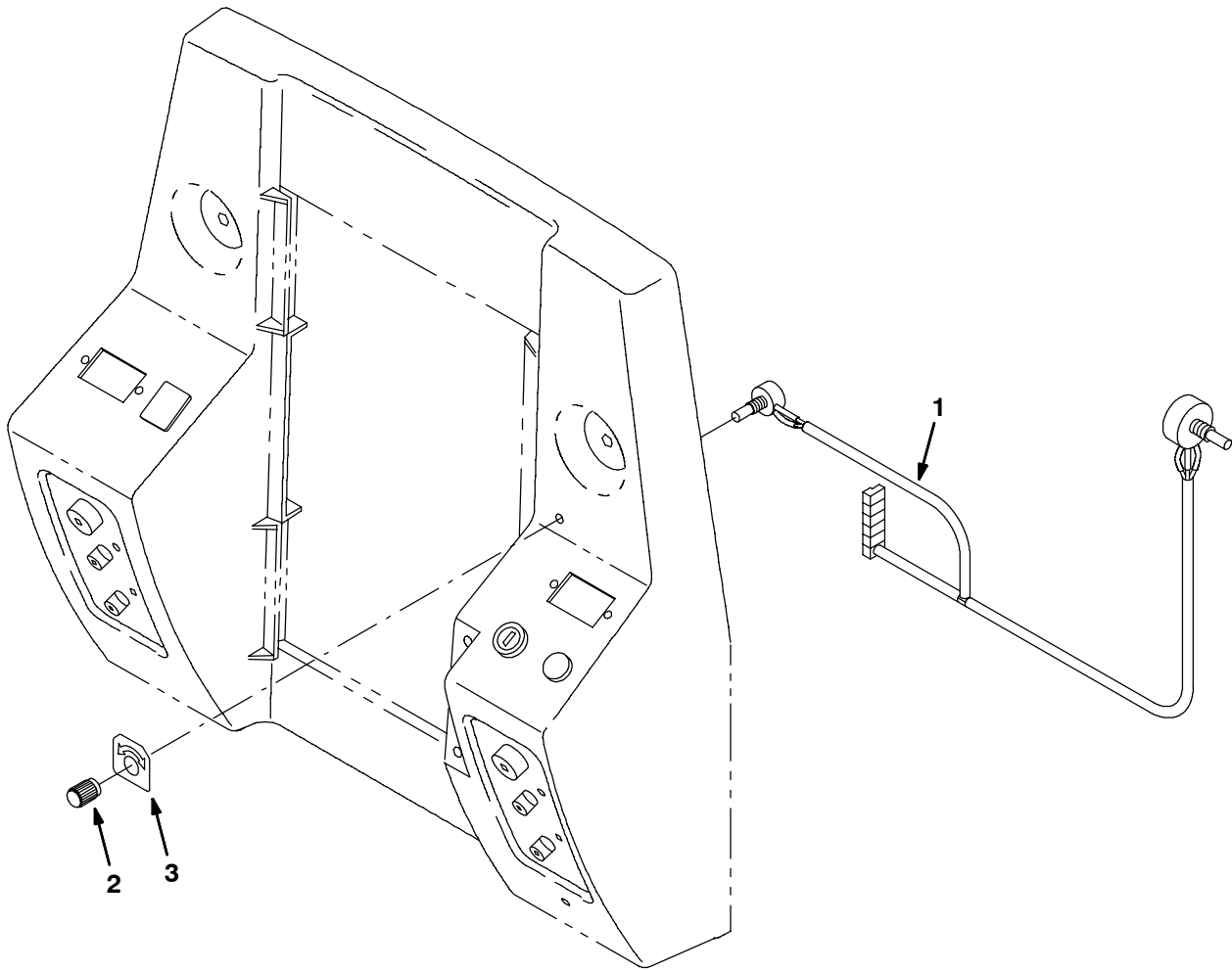
Fig. 31 - Sound Reduction Kit



352092 - 5700, XP, NA, CE

Ref.	Part No.	Serial Number	Description	Qty.
▽	374076	(000000-) Kit, Sound Reduction	1
▲	1 374073	(000000-) Insulation, Sound	1
▲	2 374074	(000000-) Insulation, Sound	1
▲	3 374075	(000000-) Insulation, Sound	1

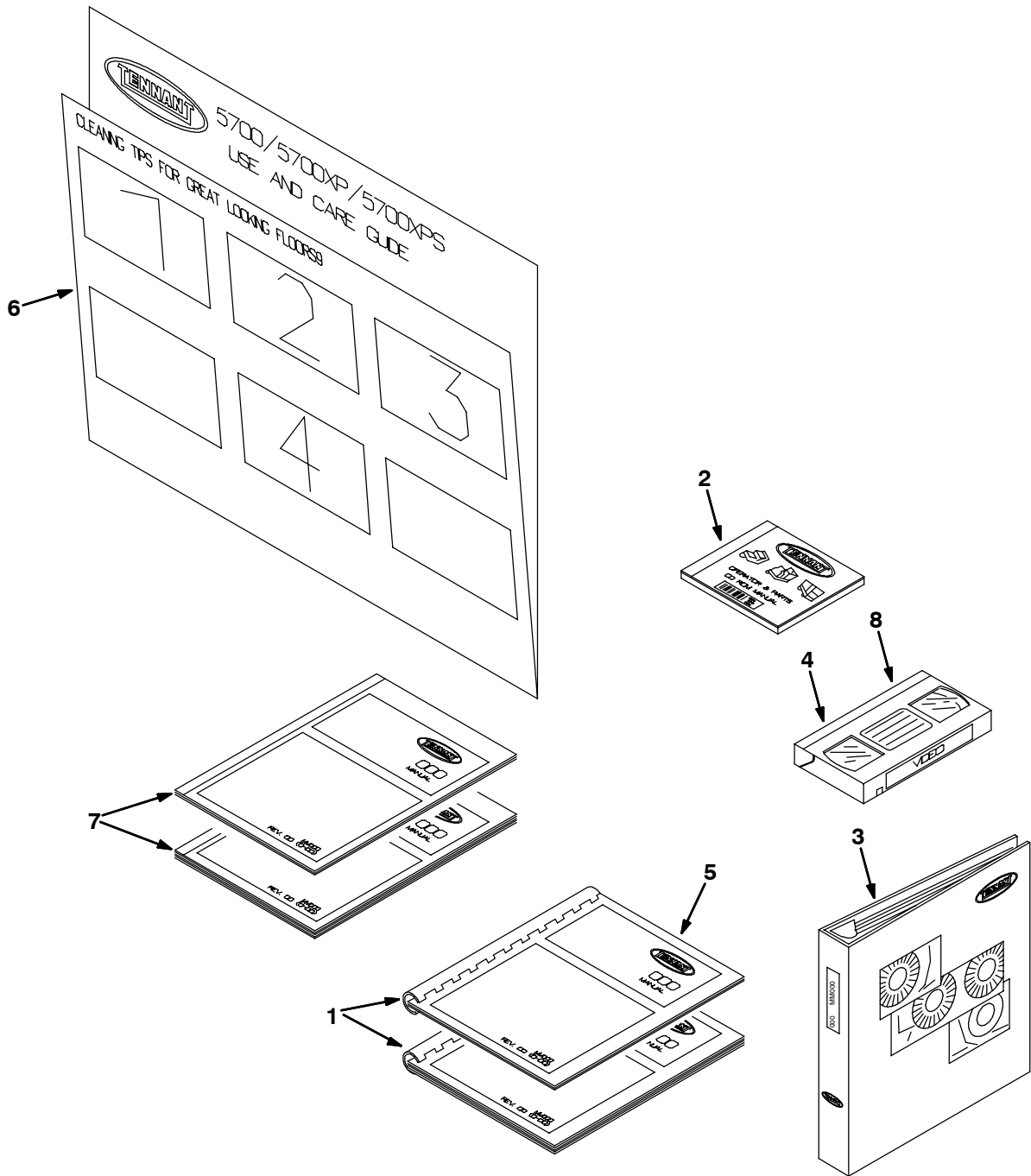
Fig. 32 - Speed Reduction Kit



350453 - 5700, EE, NA, CE

Ref.	Part No.	Serial Number	Description	Qty.
▽	222798	(000000-) Speed Reduction Kit, 5700	1
▲	1 222833	(000000-) Potentiometer Assy, Electronic	1
▲	2 222760	(000000-) Knob, Potentiometer 0.125 Shaft	1
▲	3 222844	(000000-) Label, Speed Adjustment	1

Fig. 33 - Documentation Group



07501 - 5700, NA

Ref.	Part No.	Serial Number	Description	Qty.
1	MM400	(000000-)	Manual Package 5700	1
2	330710	(000000-)	Manual, Cd-Rom, Oprtr & Parts, All (NA)	1
3	MM406	(000000-)	Manual, Service 5700	1
4	21556	(000000-)	Sales Video, 5700 Operation	1
5	MM400ES	(000000-)	Manual, OP/MT 5700, Spanish	1
5	MM400FR	(000000-)	Manual, OP/MT 5700, French	1
6	222878	(000000-)	Instructions, Machine, 5700	1
7	MM400JP	(000000-)	Manual Package 5700, Japanese	1
8	21557	(000000-)	Video, Sales, Operation, 5700 Pal	1

SECTION 4

Contents	Page
Fig. 1 - Transaxle Drive Breakdown (W/Parking Brake), 222037AM	4-2
Fig. 2 - Transaxle Drive Breakdown (W/O Parking Brake) 397707AM	4-4
Fig. 3 - Transaxle Motor Breakdown, 222371 . .	4-6
Fig. 4 - Transaxle Motor Breakdown, 374265AM	4-7
Fig. 5 - Electric Motor Breakdown, 222753	4-8
Fig. 6 - Electric Motor Breakdown, 222490	4-9
Fig. 7 - Electric Motor Breakdown, 377440AM	4-10
Fig. 8 - Electric Motor Breakdown, 375175AM	4-11
Fig. 9 - Electric Motor Breakdown, 222806 . . .	4-12
Fig. 10 - Electric Motor Breakdown, 222255AM	4-13
Fig. 11 - Electric Motor Breakdown, 17363	4-14
Fig. 12 - Electric Motor Breakdown, 398520 . . .	4-16
Fig. 13 - Water Pump Breakdown, 222259	4-18
Fig. 14 - Battery Charger Breakdown, 60 Hz, 115V (235 Ah batteries), 24685	4-19
Fig. 15 - Battery Charger Breakdown, 60 Hz, 115V (235 Ah batteries), 374014	4-20
Fig. 16 - Battery Charger Breakdown, 60 Hz, 115V (305 Ah batteries), 222594	4-21
Fig. 17 - Battery Charger Breakdown, 60 Hz, 115V (305 Ah batteries), 374015	4-22
Fig. 18 - Battery Charger Breakdown, 50 Hz, 230V (235 Ah batteries), 65540	4-23
Fig. 19 - Battery Charger Breakdown, 50 Hz, 245V (235 Ah batteries), 65740	4-24
Fig. 20 - Battery Charger Breakdown, 50 Hz (305 Ah batteries), 222595	4-25
Fig. 21 - Battery Charger Breakdown, 50 Hz (305 Ah batteries), 222691	4-26

Fig. 1 - Transaxle Drive Breakdown (W/Parking Brake), 222037AM

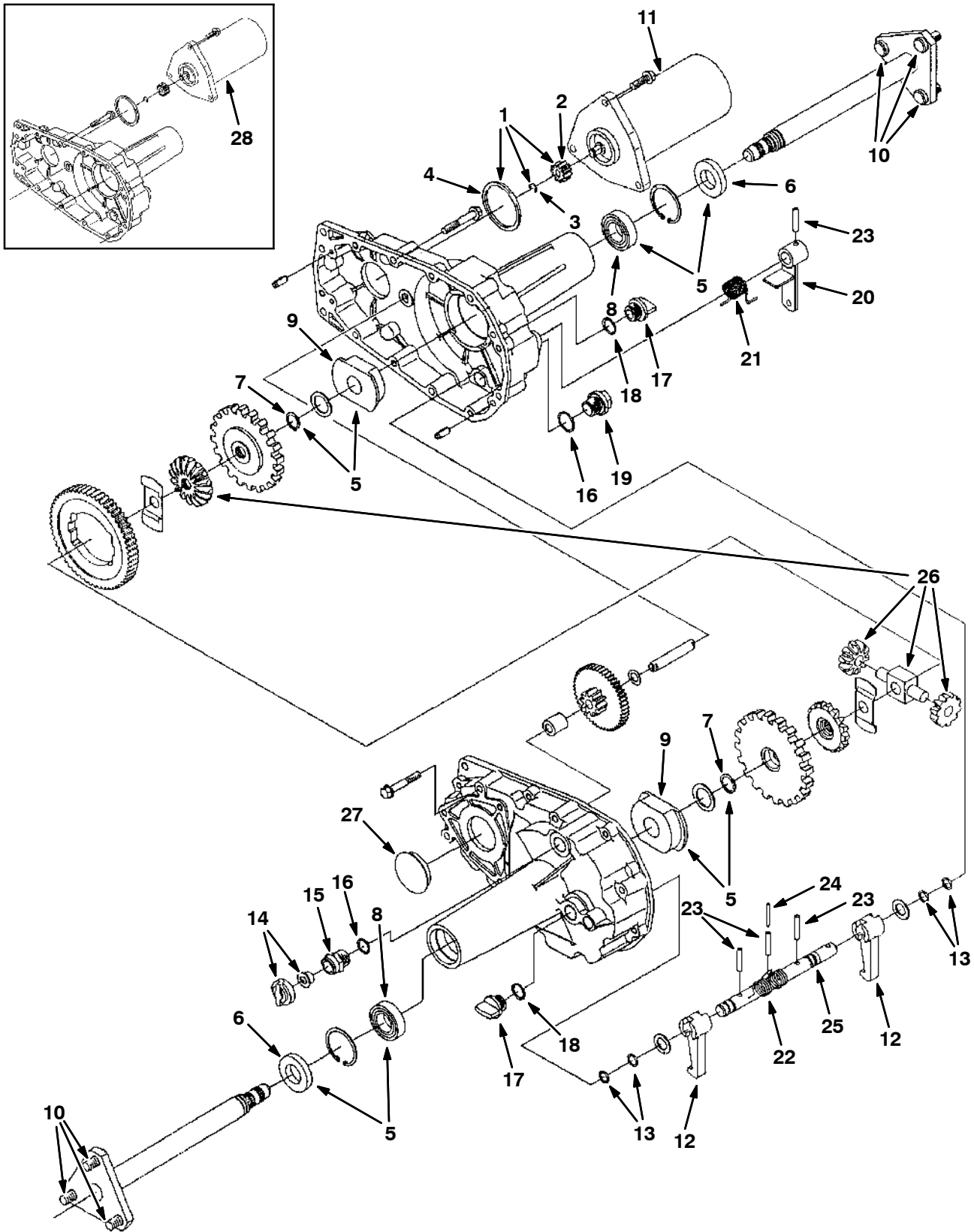


Fig. 1 - Transaxle Drive Breakdown (W/Parking Brake), 222037AM

Ref.	Part No.	Serial Number	Description	Qty.
▽	222037AM	(000000-) Transaxle Assy, W/Parking Brake	1
▲▽	1 222640	(000000-) Mtr Gear Kit	1
▲▲	2 222599	(000000-) Pinion Gear	1
▲▲	3 222656	(000000-) Clip	1
▲▲	4 222657	(000000-) O-Ring	1
▲▽	5 222641	(000000-) Brg&Seal Kit	1
▲▲	6 222658	(000000-) Seal	2
▲▲	7 222659	(000000-) Snap Ring	2
▲▲	8 222660	(000000-) Bearing	2
▲▲	9 222661	(000000-) Bushing	2
▲	10 11117	(000000-) Stud, Wheel .44-20 X1.22	6
▲	11 374265AM	(000000-) Motor, Ele, 36Vdc 0.5Hp 2000Rpm (See Breakdowns)	1
▲	12 374051	(000000-) Pawl, Park	2
▲	13 374052	(000000-) Packing, Pawl	4
▲	14 374053	(000000-) Vent, Valve	1
▲	15 374054	(000000-) Plug, Breather	1
▲	16 374055	(000000-) Packing, Breather	2
▲	17 374056	(000000-) Cap, Oil	2
▲	18 374057	(000000-) Packing, Cap	2
▲	19 374058	(000000-) Plug, Drain	1
▲	20 374061	(000000-) Arm, Park	1
▲	21 374062	(000000-) Spring, Return	1
▲	22 374063	(000000-) Spring, Park	1
▲	23 374064	(000000-) Pin, Roll 6-32	4
▲	24 374065	(000000-) Pin, Roll 3.5-32	1
▲	25 374066	(000000-) Shaft, Parking	1
▲	26 388499	(000000-) Kit, Gear, Differential	1
▲	27 388485	(000000-) Plug	1
	28 222371	(000000-) Motor,Elec 0.5Hp36V.Dc,1900Rpm (Replaced By 374265) (See Breakdowns)	1

Fig. 2 - Transaxle Drive Breakdown (W/O Parking Brake) 397707AM

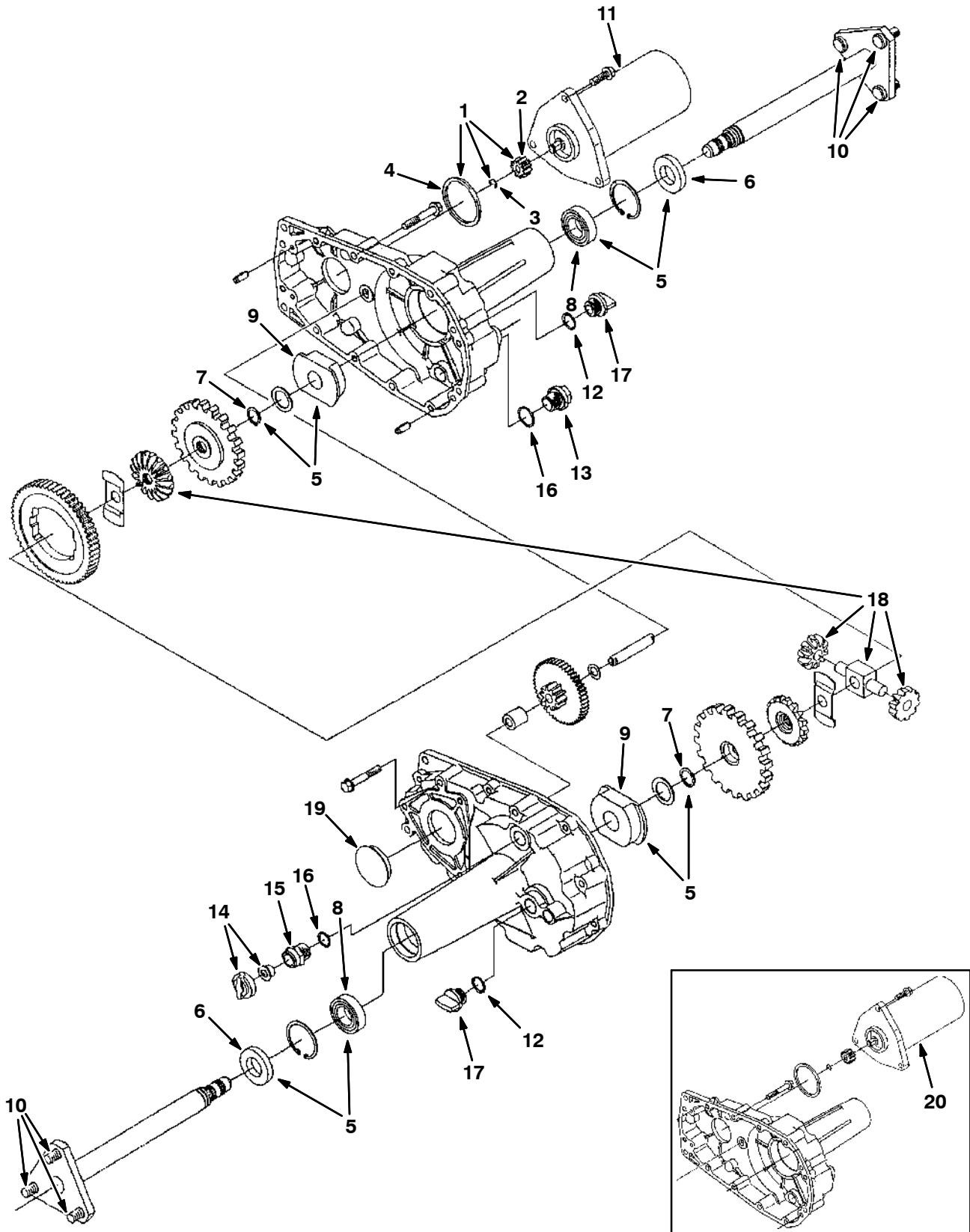
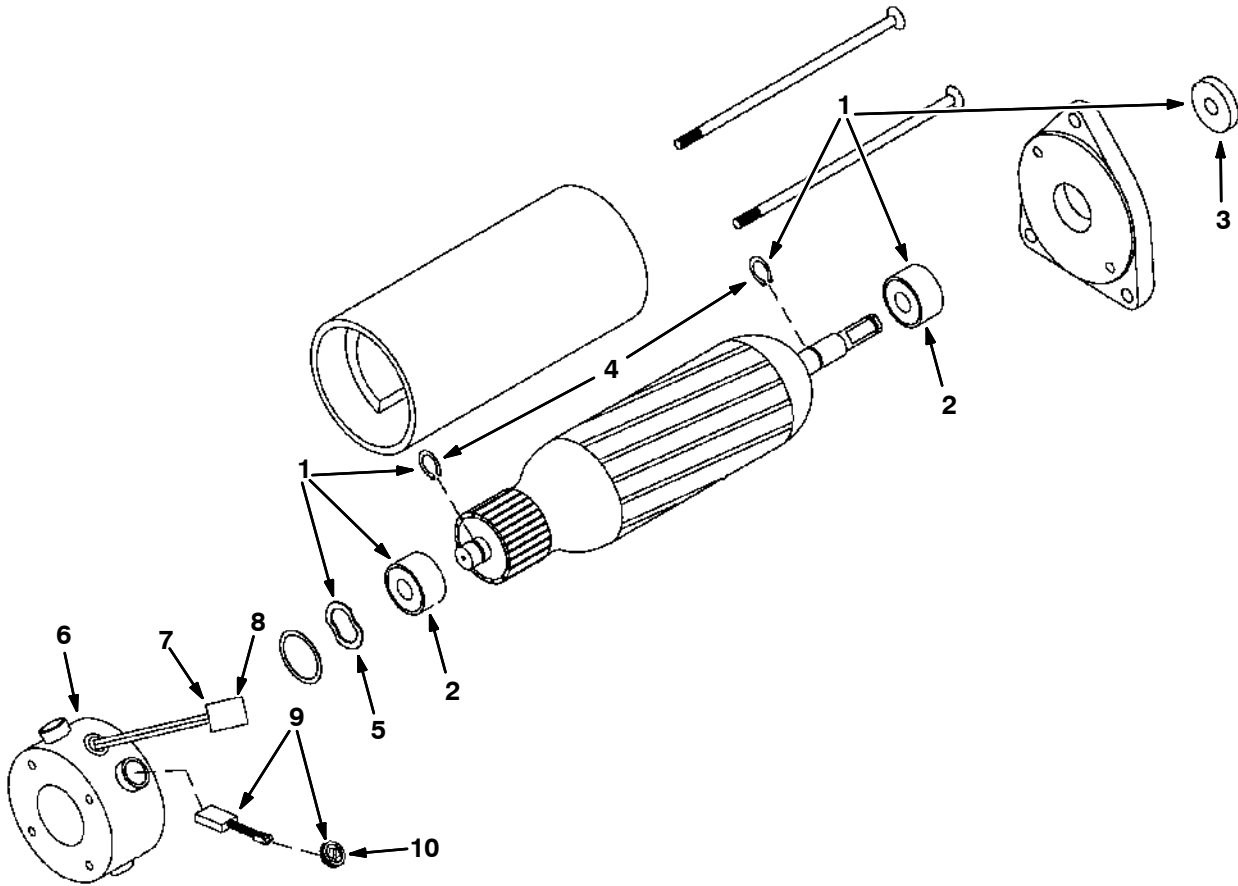


Fig. 2 - Transaxle Drive Breakdown (W/O Parking Brake) 397707AM

Ref.	Part No.	Serial Number	Description	Qty.
▽	397707AM	(000000-) Transaxle Assy, W/O Parking Brake	1
▲▽	1 222640	(000000-) Mtr Gear Kit	1
▲▲	2 222599	(000000-) Pinion Gear	1
▲▲	3 222656	(000000-) Clip	1
▲▲	4 222657	(000000-) O-Ring	1
▲▽	5 222641	(000000-) Brg&Seal Kit	1
▲▲	6 222658	(000000-) Seal	2
▲▲	7 222659	(000000-) Snap Ring	2
▲▲	8 222660	(000000-) Bearing	2
▲▲	9 222661	(000000-) Bushing	2
▲	10 11117	(000000-) Stud, Wheel .44-20 X1.22	6
▲	11 374265AM	(000000-) Motor, Ele, 36Vdc 0.50Hp 2000Rpm (See Breakdowns)	1
▲	12 374057	(000000-) Packing, Cap	2
▲	13 374058	(000000-) Plug, Drain	1
▲	14 374053	(000000-) Vent, Valve	1
▲	15 374054	(000000-) Plug, Breather	1
▲	16 374055	(000000-) Packing, Breather	2
▲	17 374056	(000000-) Cap, Oil	2
▲	18 388499	(000000-) Kit, Gear, Differential	1
▲	19 388485	(000000-) Plug	1
	20 222371	(000000-) Motor,Elec 0.5Hp36V.Dc,1900Rpm (Replaced By 374265) (See Breakdowns)	1

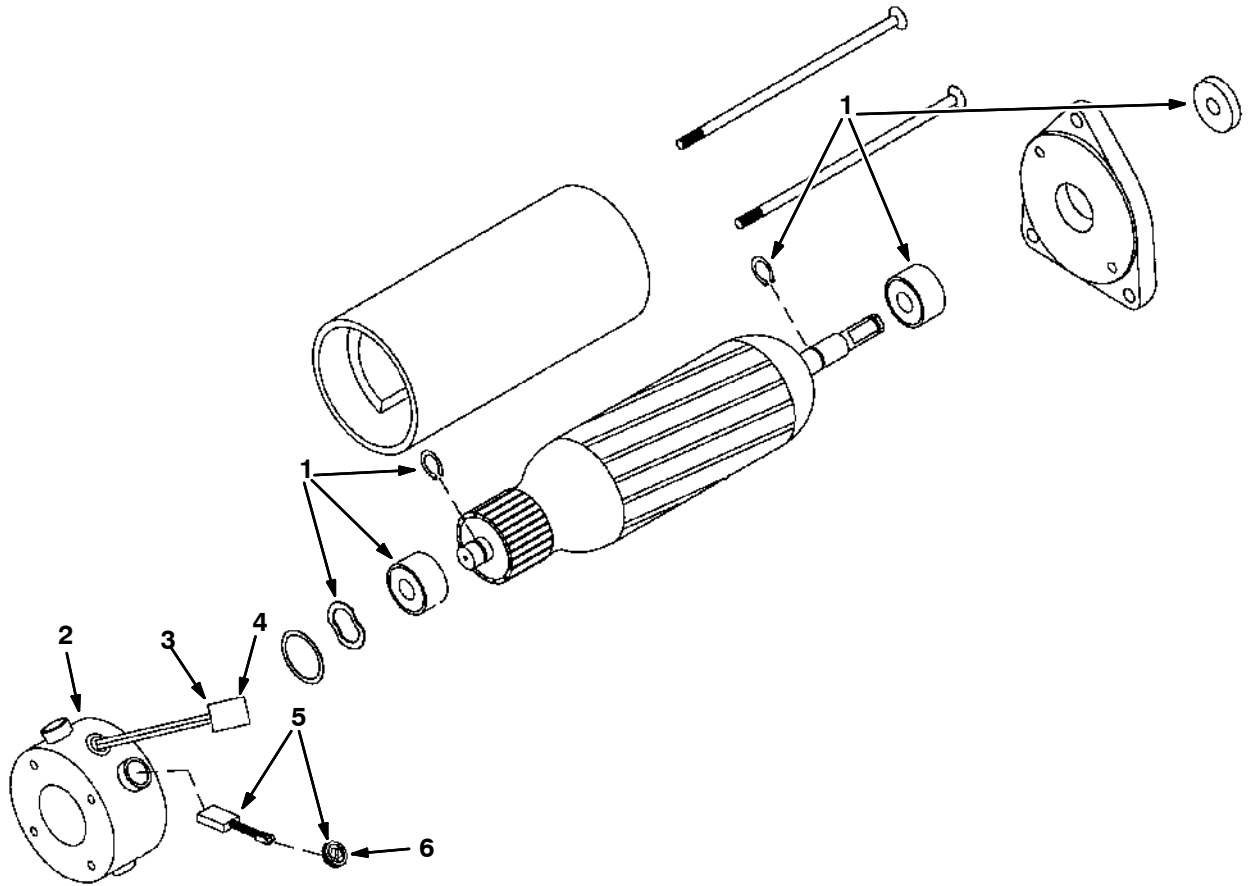
Fig. 3 - Transaxle Motor Breakdown, 222371



10295 - 5700, EE, XP, NA, JP, CE

Ref.	Part No.	Serial Number	Description	Qty.	
▽	222371	(000000-) Motor,Elec 0.5Hp36V.Dc,1900Rpm	1	
▲▽	1	222622	(000000-) Bearing & Seal Kit	1
▲▲	2	222635	(000000-) Bearing	2
▲▲	3	222634	(000000-) Seal	1
▲▲	4	222637	(000000-) Snap Ring	2
▲▲	5	222638	(000000-) Wavy Washer	1
▲▽	6	374003	(000000-) End Ass'y, Brush	1
▲▲	7	10925	(000000-) Connector, 2 Conductor	1
▲▲	8	24537	(000000-) Terminal, Female	2
▲▽	9	222625	(000000-) Brush Kit	1
▲▲	10	222629	(000000-) Brush Holder Cap	4

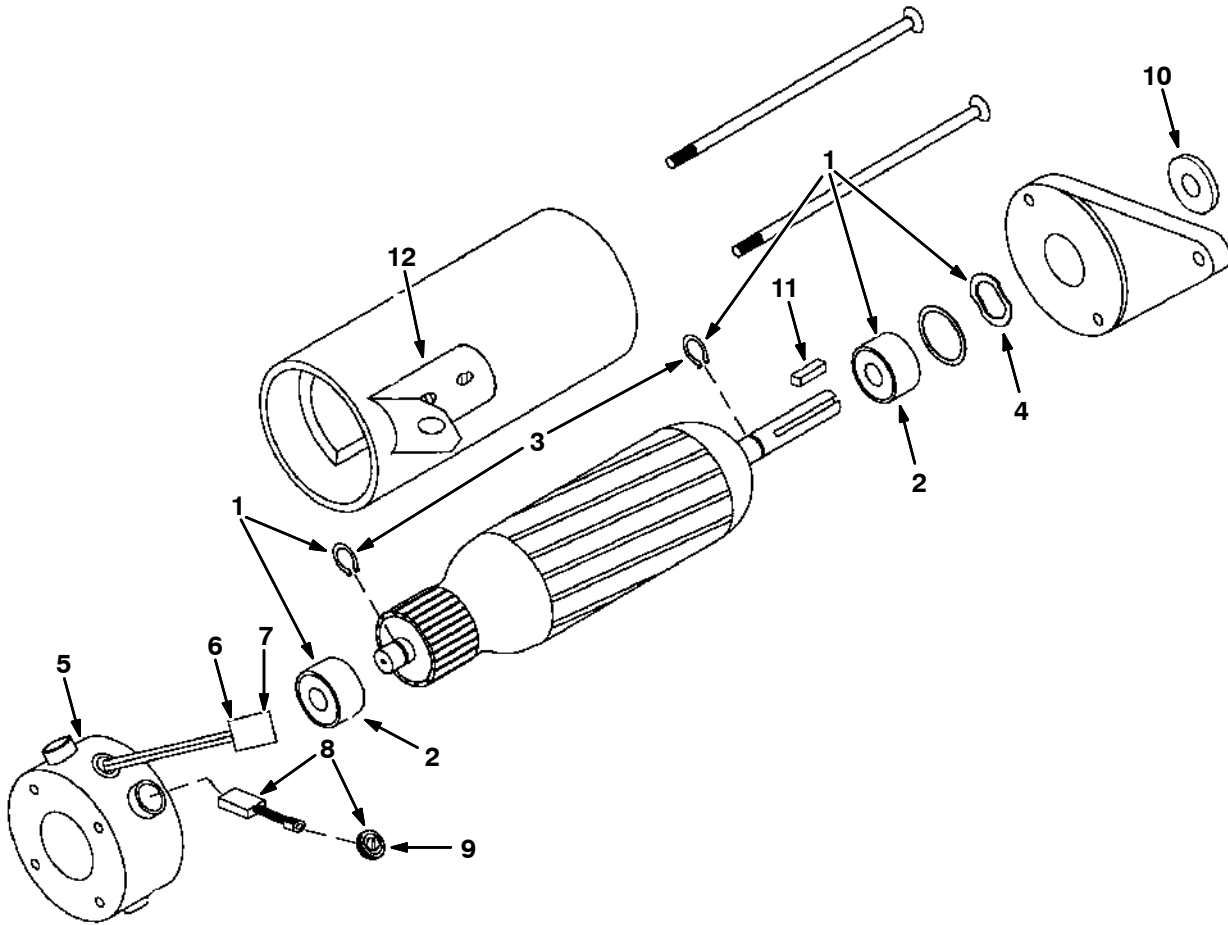
Fig. 4 - Transaxle Motor Breakdown, 374265AM



10295 - 5700, EE, XP, NA, JP, CE

Ref.	Part No.	Serial Number	Description	Qty.
▽	374265AM	(000000-) Motor, Ele, 36vdc 0.50hp 1900rpm	1
▲▽	1 374271	(000000-) Bearing Kit, Motor, Ele	1
▲▽	2 374003	(000000-) Endbell, Brush End, Motor, Ele [Magnt	2
▲▲	3 10925	(000000-) Connector, Fem, 2cav [Mp630 Sealed]	1
▲▲	4 24537	(000000-) Terminal, Fem, 10/12ga [Mp630 P2s]	2
▲▽	5 222625	(000000-) Kit, Brush, Motor, Ele (Kit842)	1
▲▲	6 222629	(000000-) Cap, Brush Holder, Motor, Ele[Magnetek]	1

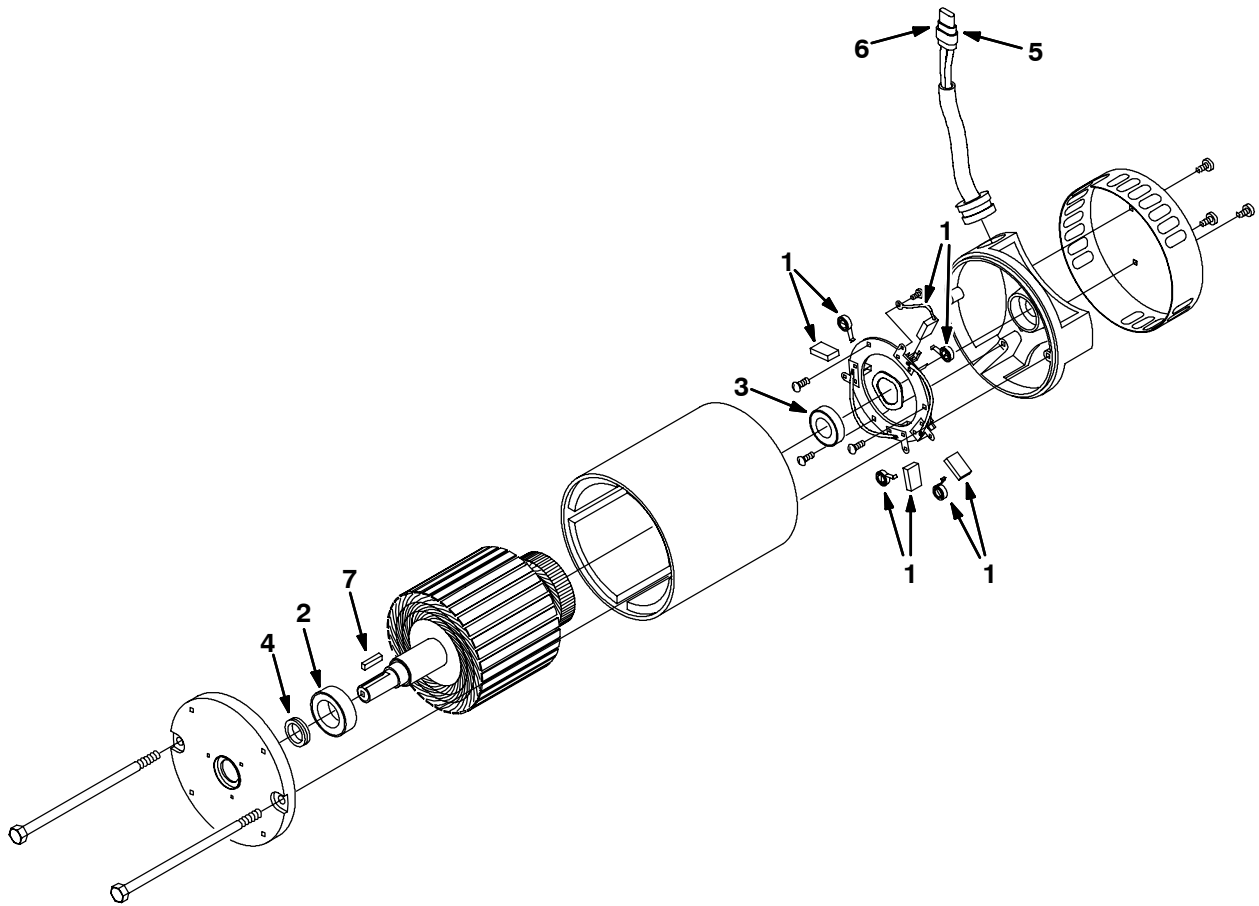
Fig. 5 - Electric Motor Breakdown, 222753



10301 - ALL

Ref.	Part No.	Serial Number	Description	Qty.
▽	222753	(000000-) Motor, .75 Hp, 36V, 1700Rpm	1
▲▽	1 222623	(000000-) Bearing Kit	1
▲▲	2 222635	(000000-) Bearing	2
▲▲	3 222637	(000000-) Snap Ring	2
▲▲	4 222638	(000000-) Wavy Washer	1
▲▽	5 374004	(000000-) End Ass'y, Brush	1
▲▲	6 10925	(000000-) Connector, 2 Conductor	1
▲▲	7 24537	(000000-) Terminal, Female	2
▲▽	8 222625	(000000-) Brush Kit	1
▲▲	9 222629	(000000-) Brush Holder Cap	4
▲	10 20536-2	(000000-) Washer, .467B 1.19D .03Nylon	1
▲	11 00954	(000000-) Key, Square 0.12 0.12 0 1.00 Lg	1
▲	12 222877	(000000-) Brace Kit	1

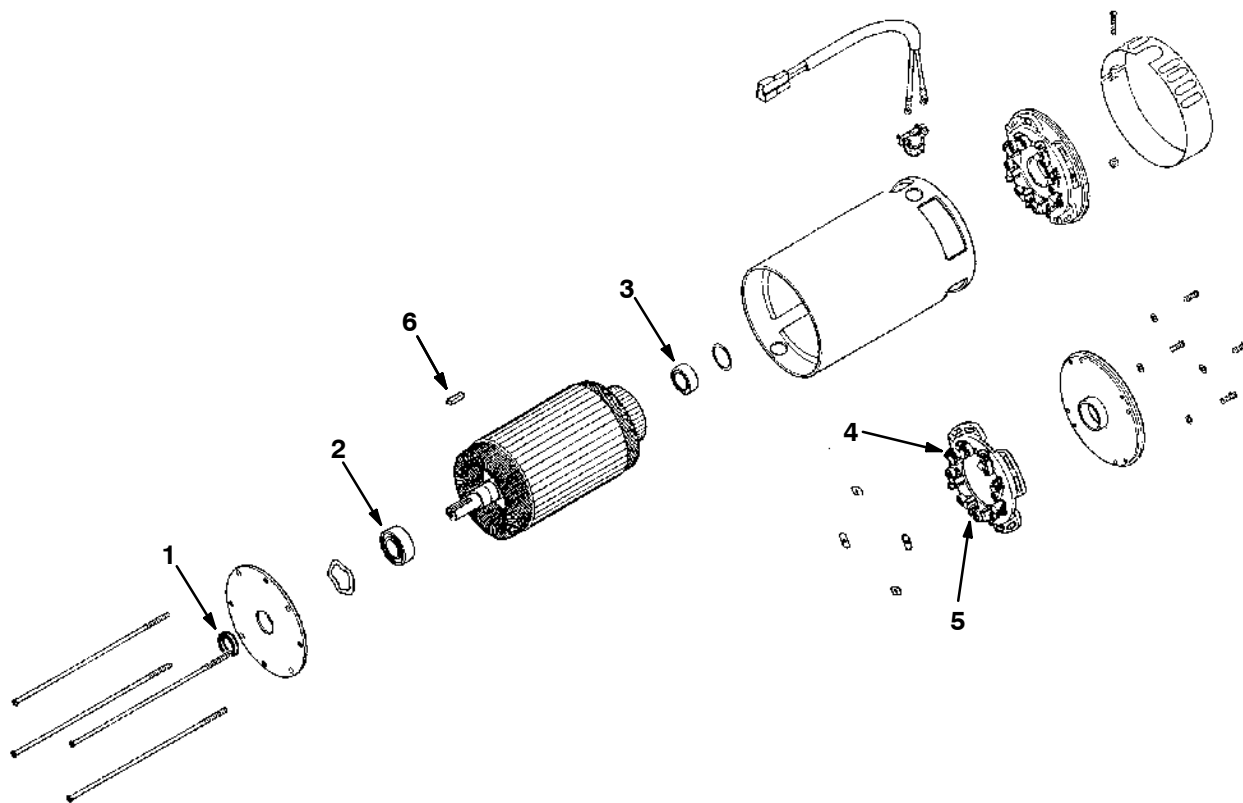
Fig. 6 - Electric Motor Breakdown, 222490



10074 - 5700, XP, NA, JP, CE

Ref.	Part No.	Serial Number	Description	Qty.
▽	222490	(000000-) Motor Assy, Elec, Brush, 0.6Hp	1
▲	1 222606	(000000-) Brush Kit	1
▲	2 222616	(000000-) Bearing	1
▲	3 222617	(000000-) Bearing	1
▲	4 222619	(000000-) Oil Seal	1
▲	5 10925	(000000-) Connector, 2 Conductor	1
▲	6 24537	(000000-) Terminal, Female	2
▲	7 00928	(000000-) Key Square 0.25 0.25 01.00 Lg	1

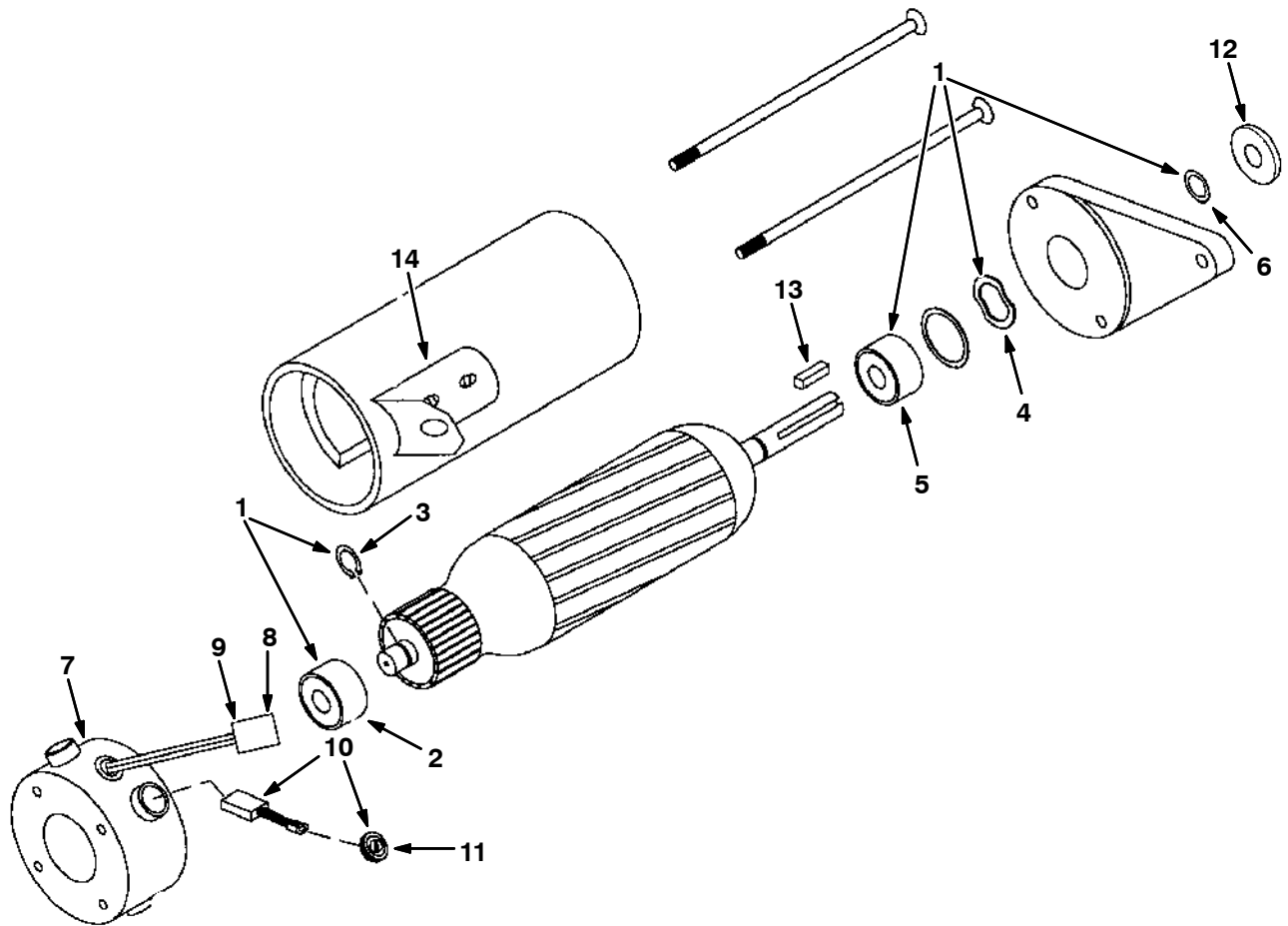
Fig. 7 - Electric Motor Breakdown, 377440AM



5700, XP, NA, JP, CE

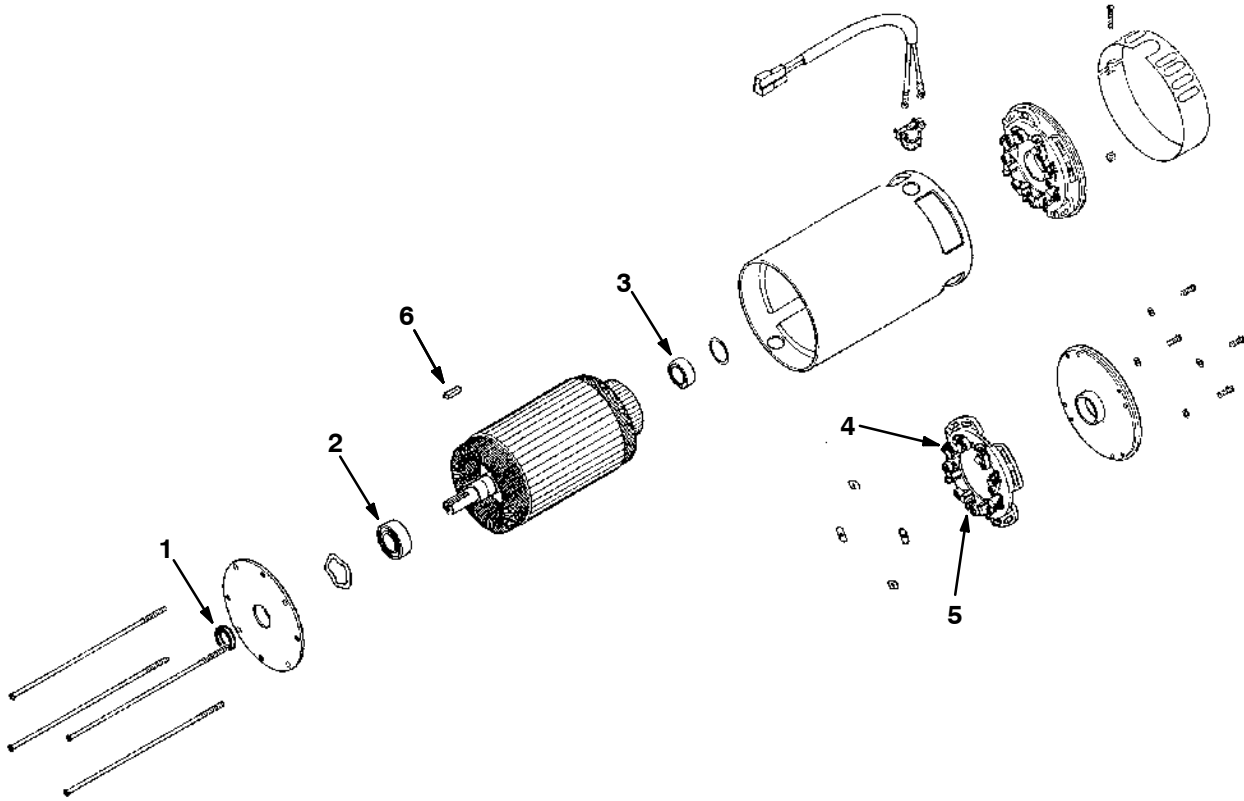
Ref.	Part No.	Serial Number	Description	Qty.
▽	377440AM	(000000-) Motor, Ele, 36vdc 0.50hp 0320rpm 15.0a	1
▲	1 222619	(000000-) Seal, Oil, Motor, Ele [lp]	1
▲	2 222616	(000000-) Bearing, Motor, Ele, Front [lp]	1
▲	3 387588	(000000-) Bearing, Commutator, End	1
▲	4 387592	(000000-) Brush, Spring	1
▲	5 611287000	(000000-) Brush, Imp572009	1
▲	6 00926	(000000-) Key, Sq, 0.25 X 0.25, 0.75l	2

Fig. 8 - Electric Motor Breakdown, 375175AM



Ref.	Part No.	Serial Number	Description	Qty.
▽	375175AM	(000000-) Motor Assy, Ele, 36Vdc, 0.75Hp, 1700Rpm	1
▲▽	1 375176	(000000-) Kit, Motor Bearing	1
▲▲	2 222635	(000000-) Bearing	1
▲▲	3 222637	(000000-) Ring, Snap	1
▲▲	4 375177	(000000-) Washer, Spring	1
▲▲	5 375178	(000000-) Bearing, Drive End	1
▲▲	6 375179	(000000-) Seal	1
▲▽	7 374004	(000000-) Endbell, Brush End, Motor-Ele	1
▲▲	8 10925	(000000-) Connector, 2-Conductor	1
▲▲	9 24537	(000000-) Terminal, Female	2
▲▽	10 222625	(000000-) Kit, Brush	1
▲▲	11 222629	(000000-) Cap, Brush Holder	4
▲	12 20536-2	(000000-) Washer, 0.47b 1.19d .03, Nyl	1
▲	13 00954	(000000-) Key, Sq, 0.12 X 0.12, 01.00l	1
▲	14 222877	(000000-) Kit, Brace	1

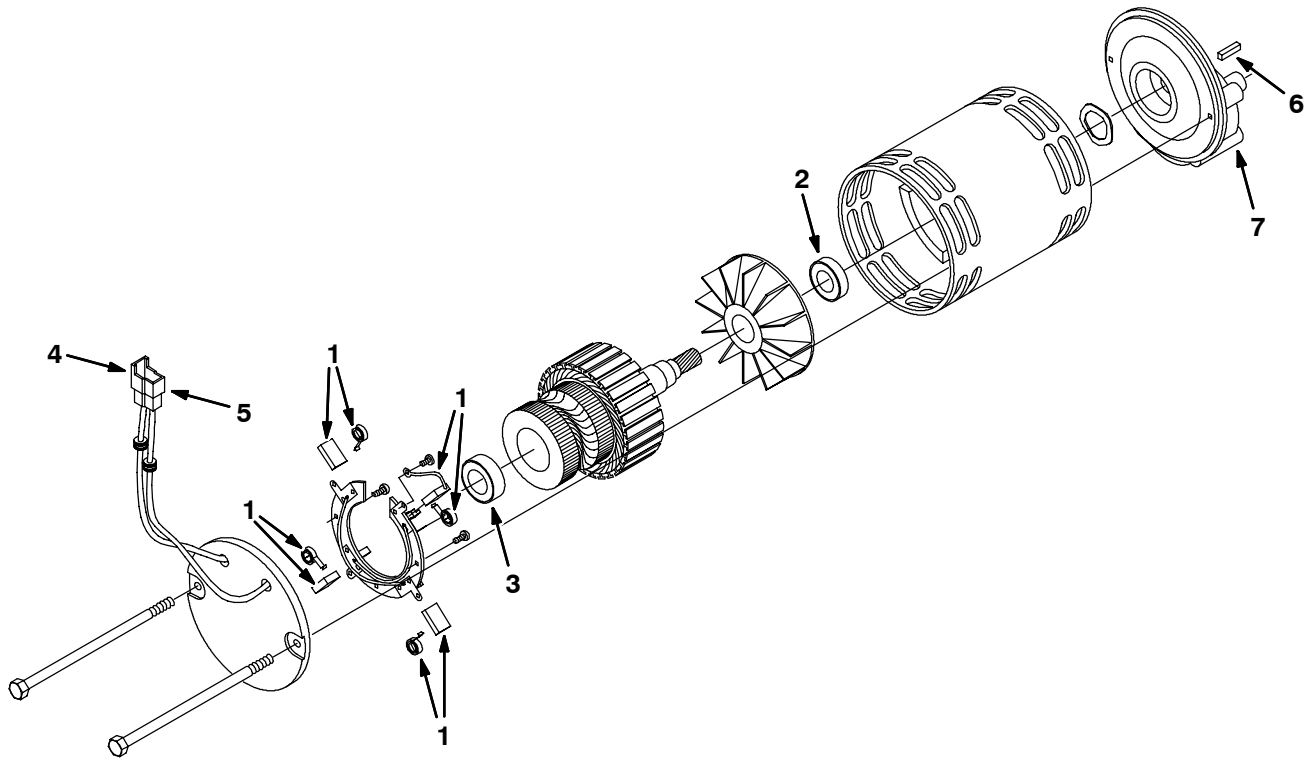
Fig. 9 - Electric Motor Breakdown, 222806



00169 - 5700, XP, NA, JP

Ref.	Part No.	Serial Number	Description	Qty.
▽	222806	(000000-) Motor, Electric	1
▲	1 37637	(000000-) Seal, Oil	1
▲	2 18626	(000000-) Bearing	1
▲	3 38378	(000000-) Bearing	1
▲	4 37643	(000000-) Spring, Brush	4
▲	5 37638	(000000-) Brush Assembly	4
▲	6 00926	(000000-) Key, Square 0.25 0.25 0.75 Lg	1

Fig. 10 - Electric Motor Breakdown, 222255AM



10076 - 5700, XP, NA, JP, CE

Ref.	Part No.	Serial Number	Description	Qty.
▽	222255AM	(000000-) Motor, Gear, 1.0Hp 36V	1
▲	1 222606	(000000-) Brush Kit	1
▲	2 222618	(000000-) Bearing	1
▲	3 222617	(000000-) Bearing	1
▲	4 222620	(000000-) Connector Body	1
▲	5 222649	(000000-) Terminal	2
▲	6 00928	(000000-) Key Square 0.25 0.25 01.00 Lg	1
▲	7 374005	(000000-) Gearbox, Motor	1

Fig. 11 - Electric Motor Breakdown, 17363

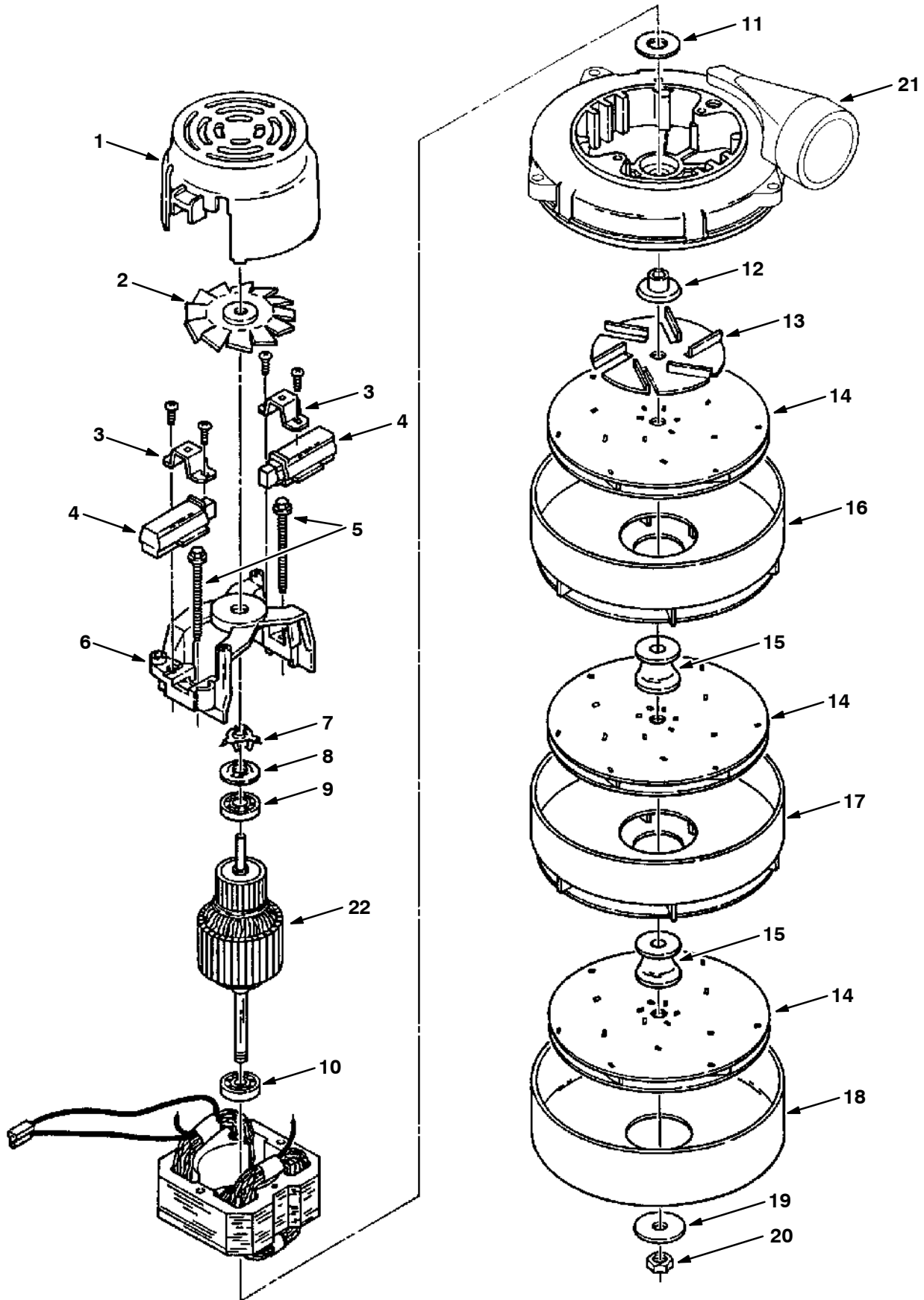


Fig. 11 - Electric Motor Breakdown, 17363

	Ref.	Part No.	Serial Number	Description	Qty.
▽		17363	(000000-) Fan, Vacuum	1
▲	1	37926	(000000-) Housing	1
▲	2	61298	(000000-) Fan	1
▲	3	01982	(000000-) Clamp	2
▲	4	11756	(000000-) Brush Mechanism	2
▲	5	01969	(000000-) Screw	2
▲	6	01983	(000000-) Comm. Bracket	1
▲	7	01856	(000000-) Spring	1
▲	8	37909	(000000-) Disc	1
▲	9	01842	(000000-) Bearing	1
▲	10	01837	(000000-) Bearing	1
▲	11	37912	(000000-) Washer, Neo.	1
▲	12	18627	(000000-) Spacer	1
▲	13	01971	(000000-) Fan	1
▲	14	18628	(000000-) Vacuum Fan	3
▲	15	18630	(000000-) Spacer	2
▲	16	61300	(000000-) Stationary Fan	1
▲	17	61297	(000000-) Stationary Fan	1
▲	18	18631	(000000-) Shell	1
▲	19	378983	(000000-) Washer	1
▲	20	37929	(000000-) Nut	1
▲	21	60386	(000000-) Bracket, Fan End	1
▲	22	21765	(000000-) Armature	1
▲		223264	(000000-) Seal, Fan	1
▲		10925	(000000-) Connector, 2 Conductor	1
▲		10926	(000000-) Terminal, Female	2

Fig. 12 - Electric Motor Breakdown, 398520

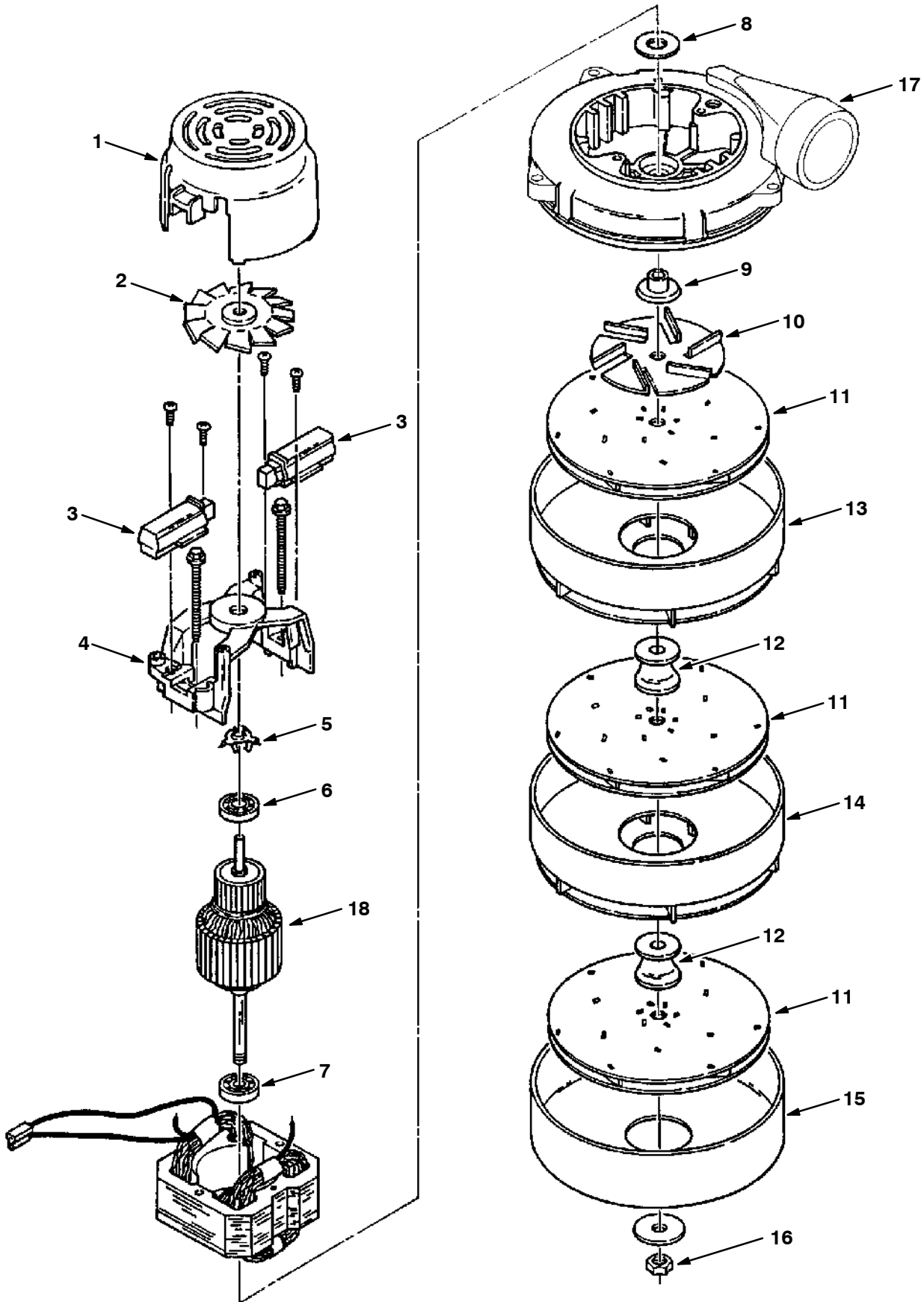
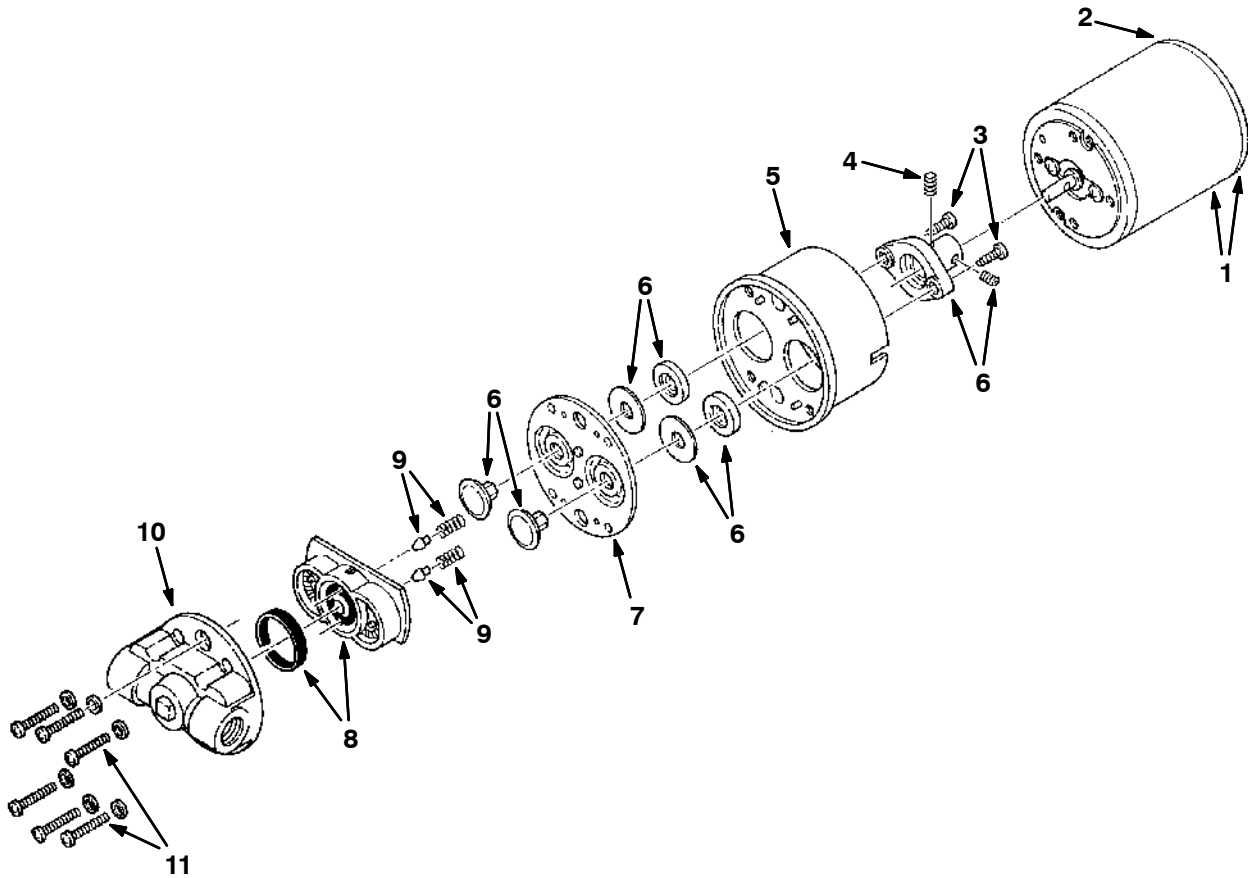


Fig. 12 - Electric Motor Breakdown, 398520

	Ref.	Part No.	Serial Number	Description	Qty.
▽		398520	(000000-) Fan, Vacuum	1
▲	1	398511	(000000-) Housing	1
▲	2	398512	(000000-) Fan	1
▲	3	398513	(000000-) Brush Mechanism	2
▲	4	398514	(000000-) Comm. Bracket	1
▲	5	01856	(000000-) Spring	1
▲	6	398515	(000000-) Bearing	1
▲	7	01837	(000000-) Bearing	1
▲	8	37912	(000000-) Washer, Neo.	1
▲	9	398516	(000000-) Spacer	1
▲	10	01971	(000000-) Fan	1
▲	11	18628	(000000-) Vacuum Fan	3
▲	12	398517	(000000-) Spacer	2
▲	13	61300	(000000-) Stationary Fan	1
▲	14	61297	(000000-) Stationary Fan	1
▲	15	398518	(000000-) Shell	1
▲	16	37929	(000000-) Nut	1
▲	17	60386	(000000-) Bracket, Fan End	1
▲	18	398519	(000000-) Armature	1
▲		223264	(000000-) Seal, Fan	1
▲		10925	(000000-) Connector, 2 Conductor	1
▲		10926	(000000-) Terminal, Female	2

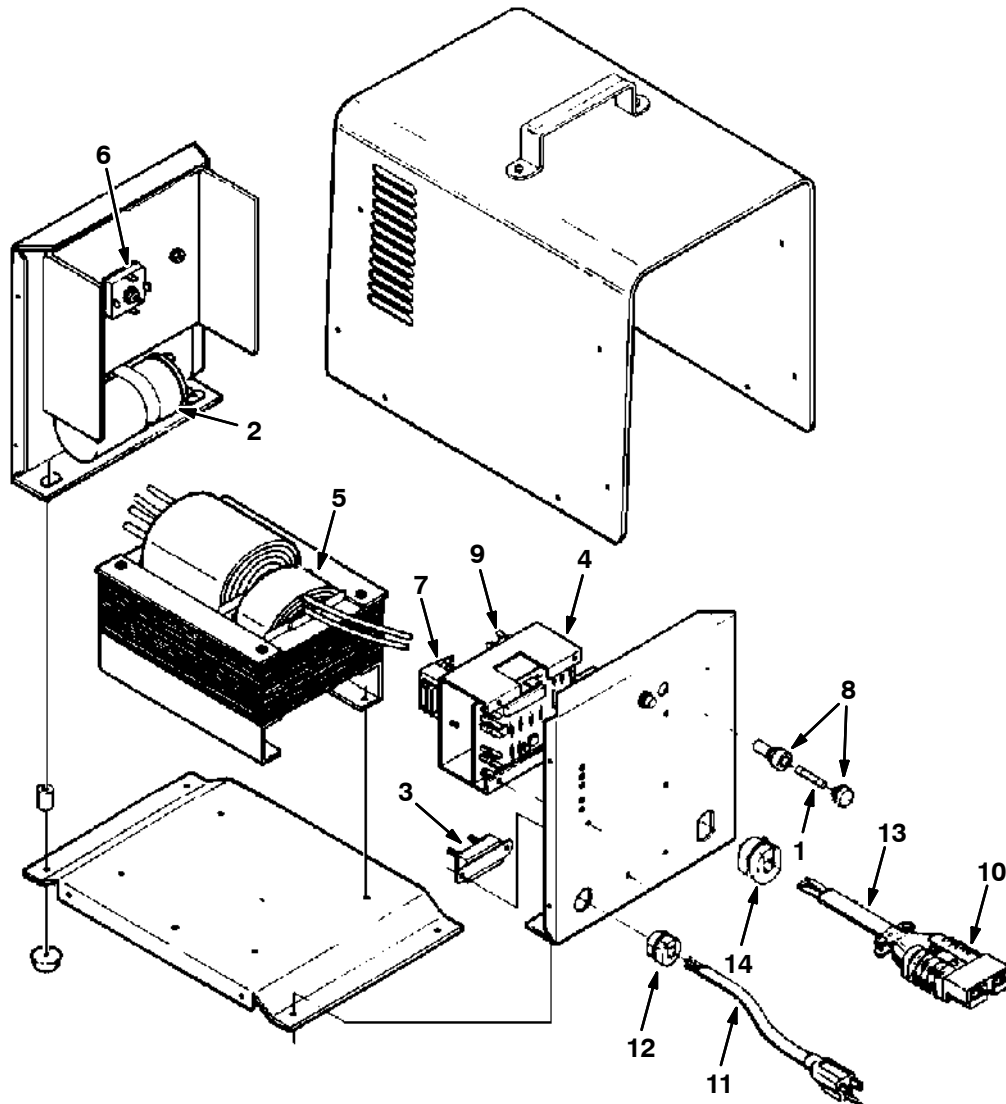
Fig. 13 - Water Pump Breakdown, 222259



10260 - ALL

Ref.	Part No.	Serial Number	Description	Qty.
▽	222259	(000000-) Pump Assy, Water 36Vdc	1
▲▽	1 65700	(000000-) Motor 36V Dc	1
▲▲	2 65701	(000000-) Brush-Endbell	1
▲▲	65702	(000000-) Brush Kit	1
▲▽	65710	(000000-) Pump Head Assembly	1
▲▲	3 65667	(000000-) Cam/Bearing Scr	2
▲▲	4 65668	(000000-) Scr-Set Cam Brg	1
▲▲	370924	(000000-) Cam Brg/Diaph Kit	1
▲▲	5 49901	(000000-) Bearing Cover	1
▲▲	6 65706	(000000-) Piston-Inner&Out	1
▲▲	7 65707	(000000-) Diaphragm Kit	1
▲▲	8 65708	(000000-) Ck Valve - Buna	1
▲▲	9 65709	(000000-) Bypass Spgs&Popp	1
▲▲	10 49886	(000000-) Pump	1
▲▲	11 65675	(000000-) Pump Screws	6

Fig. 14 - Battery Charger Breakdown, 60 Hz, 115V (235 Ah batteries), 24685

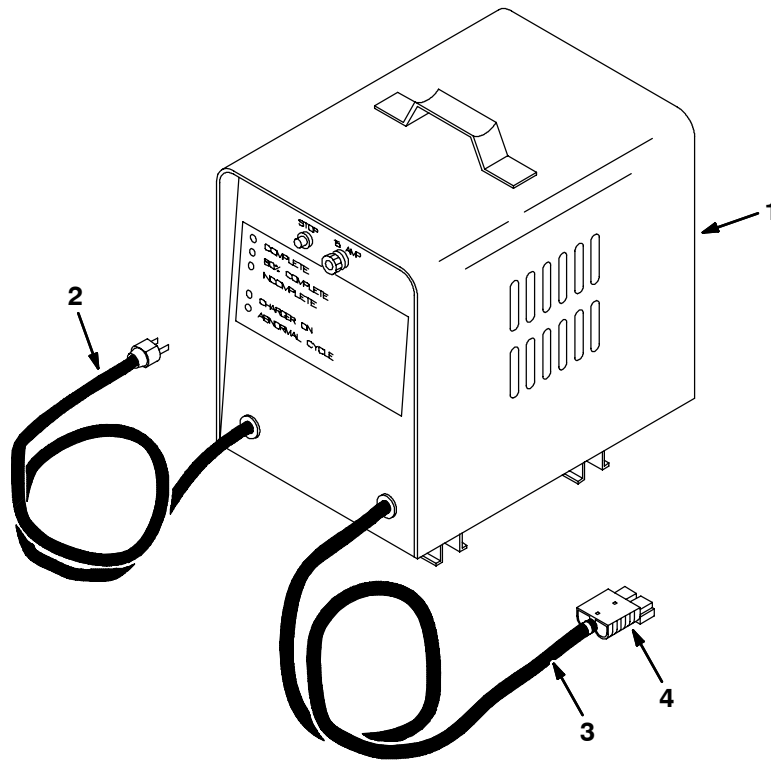


10262 - 5700, EE, XP, NA

Ref.	Part No.	Serial Number	Description	Qty.	
▽	24685	(000000-) Charger 36V 20A 60H Ph	1	
▲	1	30059	(000000-) Fuse	1
▲	2	65638	(000000-) Capacitor	1
▲	3	65954	(000000-) Circuit Breaker	1
▲	4	65629	(000000-) Control Circuit	1
▲	5	65621	(000000-) Power Transformer	1
▲	6	61837	(000000-) Bridge Rectifier Kit	1
▲	7	65626	(000000-) Control Circuit Tx2	1
▲	8	30058	(000000-) Holder, Fuse Ac	1
▲	9	49811	(000000-) Triac, Charger	1
▲	10	24881	(000000-) Connector, Grey, SB50	1
▲	11	21769	(000000-) A.C.Cord Set W/Plug	1
▲	12	21775	(000000-) A.C.Strain Relief	1
▲	13	21772	(000000-) D.C.Cord Set Wo/Plug	1
▲	14	21776	(000000-) D.C.Strain Relief	1

BREAKDOWNS

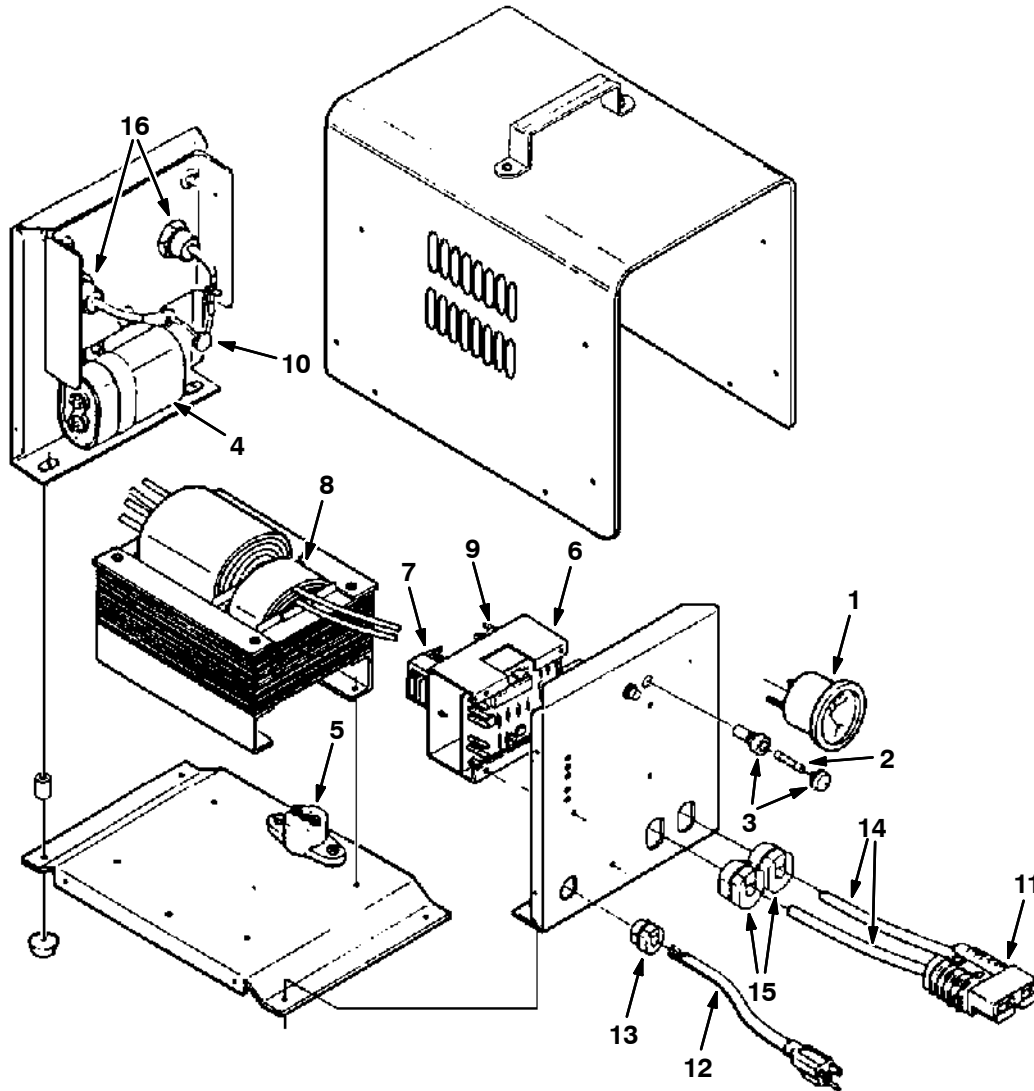
Fig. 15 - Battery Charger Breakdown, 60 Hz, 115V (235 Ah batteries), 374014



08080 - 5700, EE, XP, NA

Ref.	Part No.	Serial Number	Description	Qty.
▽	1	374014	(000000-) Charger 36V/20A/60Hz/1Ph/115V	1
▲	2	374020	(000000-) Cord Assy A.C.	1
▲	3	374019	(000000-) Cord Assy D.C.	1
▲	4	24881	(000000-) Connector, Grey, SB50	1
▲		374017	(000000-) Circuit Breaker 15A	1
▲		65954	(000000-) Circuit Breaker	1
▲		374018	(000000-) Control Circuit	1
▲		374021	(000000-) Rectifier Assy	2
▲		374022	(000000-) Rectifier Scr 20A	2
▲		21776	(000000-) D.C.Strain Relief	1
▲		21775	(000000-) A.C.Strain Relief	1
▲		374023	(000000-) Switch, Red Stop	1
▲		65630	(000000-) Varistor	1

Fig. 16 - Battery Charger Breakdown, 60 Hz, 115V (305 Ah batteries), 222594

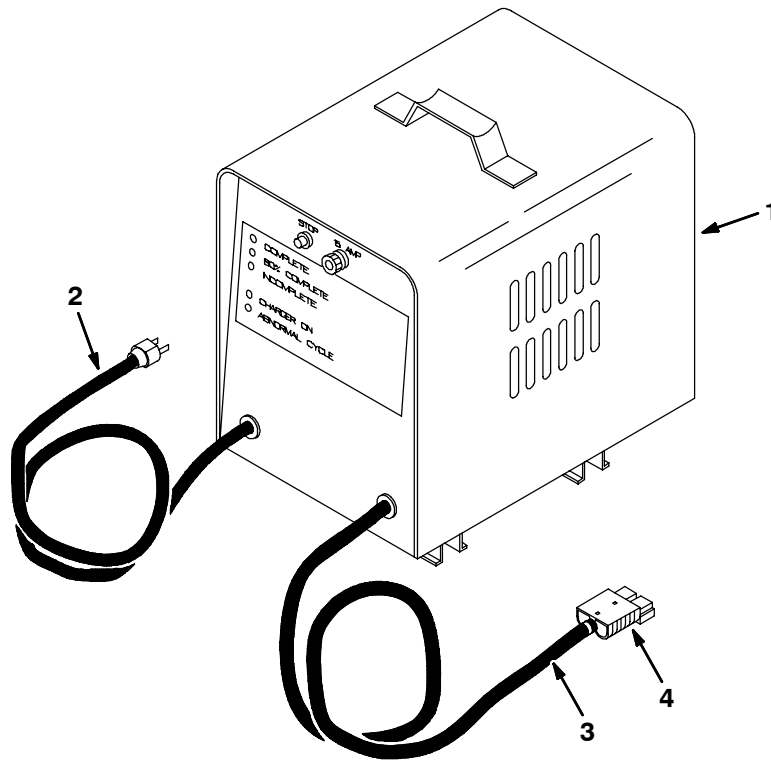


10263 - 5700, XP, NA

Ref.	Part No.	Serial Number	Description	Qty.	
▽	222594	(000000-) Charger, 36V/30A 60H/1Ph 115V	1	
▲	1	38889	(000000-) Ammeter	1
▲	2	30059	(000000-) Fuse	1
▲	3	30058	(000000-) Holder, Fuse Ac	1
▲	4	65613	(000000-) Condensor 12.5Mfd	1
▲	5	65619	(000000-) Circuit Breaker	1
▲	6	65629	(000000-) Control Circuit	1
▲	7	65626	(000000-) Control Circuit Tx2	1
▲	8	65628	(000000-) Power Transformer	1
▲	9	49811	(000000-) Triac, Charger	1
▲	10	65630	(000000-) Varistor	1
▲	11	24881	(000000-) Connector, Grey, SB50	1
▲	12	21771	(000000-) A.C.Cordset W/Plug	1
▲	13	21775	(000000-) A.C.Strain Relief	1
▲	14	21773	(000000-) D.C.Cordset W/Plug	1
▲	15	21776	(000000-) D.C.Strain Relief	2
▲	16	65616	(000000-) Diode	2

BREAKDOWNS

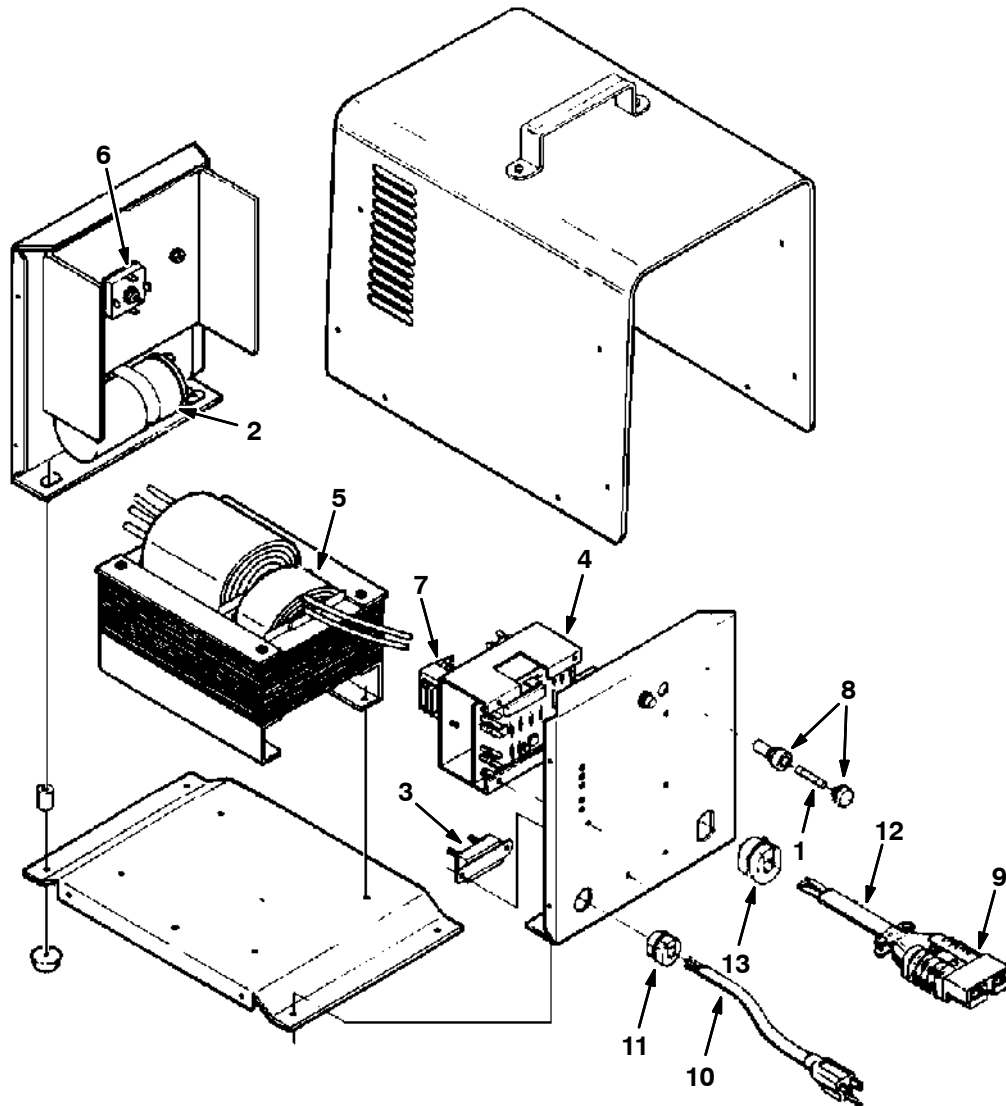
Fig. 17 - Battery Charger Breakdown, 60 Hz, 115V (305 Ah batteries), 374015



08080 - 5700, XP, NA

Ref.	Part No.	Serial Number	Description	Qty.
▽	1	374015	(000000-) Charger 36V/30A/60Hz/1Ph/115V	1
▲	2	374028	(000000-) Cord Assy A.C.	1
▲	3	388539	(000000-) Cord Assy D.C.	1
▲	4	24881	(000000-) Connector, Grey, SB50	1
▲		374025	(000000-) Circuit Breaker 20A/AC	1
▲		374026	(000000-) Fuse, D.C. 80Amp	1
▲		374027	(000000-) Control Circuit 36V/30A	1
▲		374029	(000000-) Rectifier Assy	2
▲		21776	(000000-) D.C.Strain Relief	1
▲		21775	(000000-) A.C.Strain Relief	1
▲		374023	(000000-) Switch, Red Stop	1
▲		65630	(000000-) Varistor	1

Fig. 18 - Battery Charger Breakdown, 50 Hz, 230V (235 Ah batteries), 65540

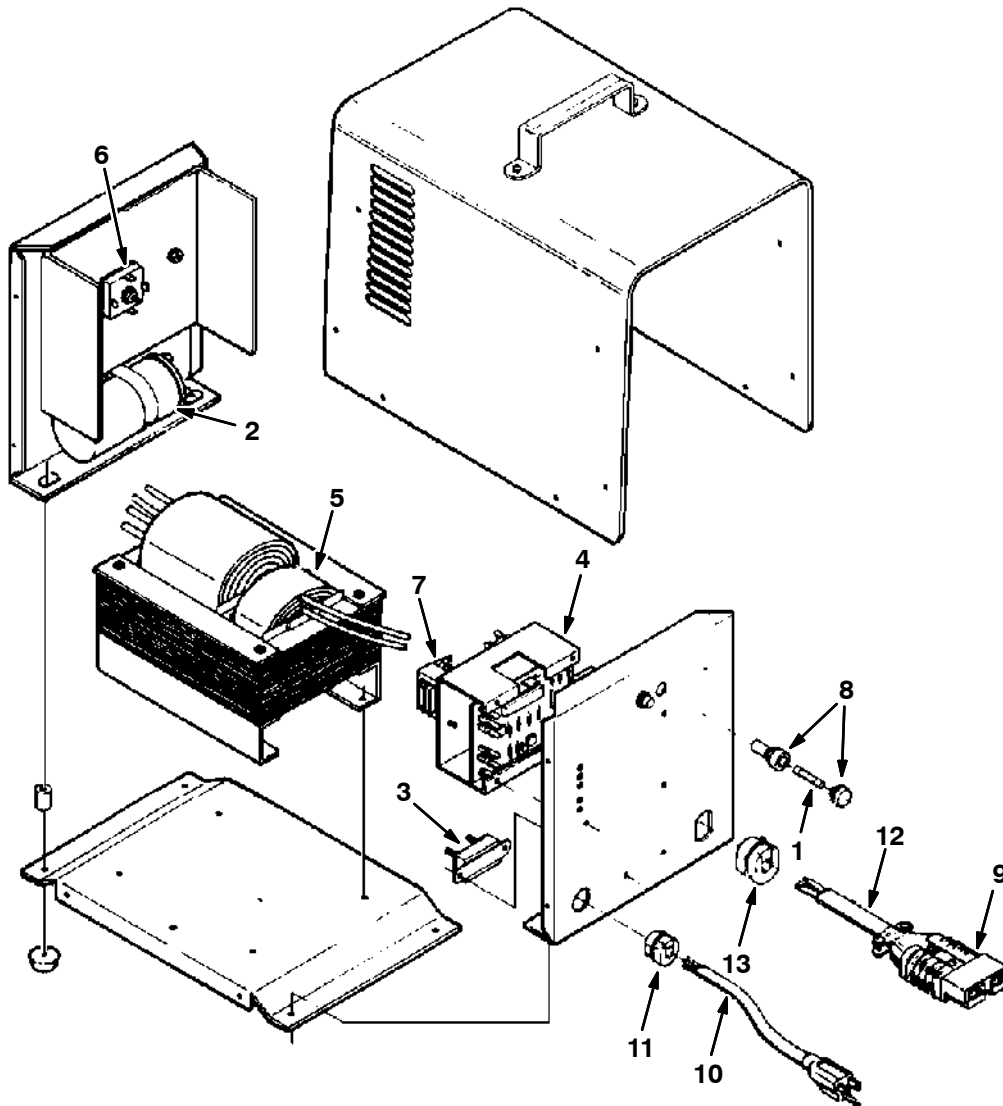


10262 - 5700, EE, XP, NA

Ref.	Part No.	Serial Number	Description	Qty.
▽	65540	(000000-) Charger, 36V/20A 50H/ Ph 230V	1
▲	1 65632	(000000-) Fuse, A.C. 10 Amp	1
▲	2 65958	(000000-) Condenser	1
▲	3 65954	(000000-) Circuit Breaker	1
▲	4 65620	(000000-) Control Assy	1
▲	5 65634	(000000-) Transformer, Power	1
▲	6 61837	(000000-) Bridge Rectifier Kit	1
▲	7 65959	(000000-) Control Transformer	1
▲	8 30058	(000000-) Holder, Fuse Ac	1
▲	9 24881	(000000-) Connector, Grey, SB50	1
▲	10 21770	(000000-) A.C.Cord Set W/Plug	1
▲	11 21775	(000000-) A.C.Strain Relief	1
▲	12 21772	(000000-) D.C.Cord Set Wo/Plug	1
▲	13 21776	(000000-) D.C.Strain Relief	1

BREAKDOWNS

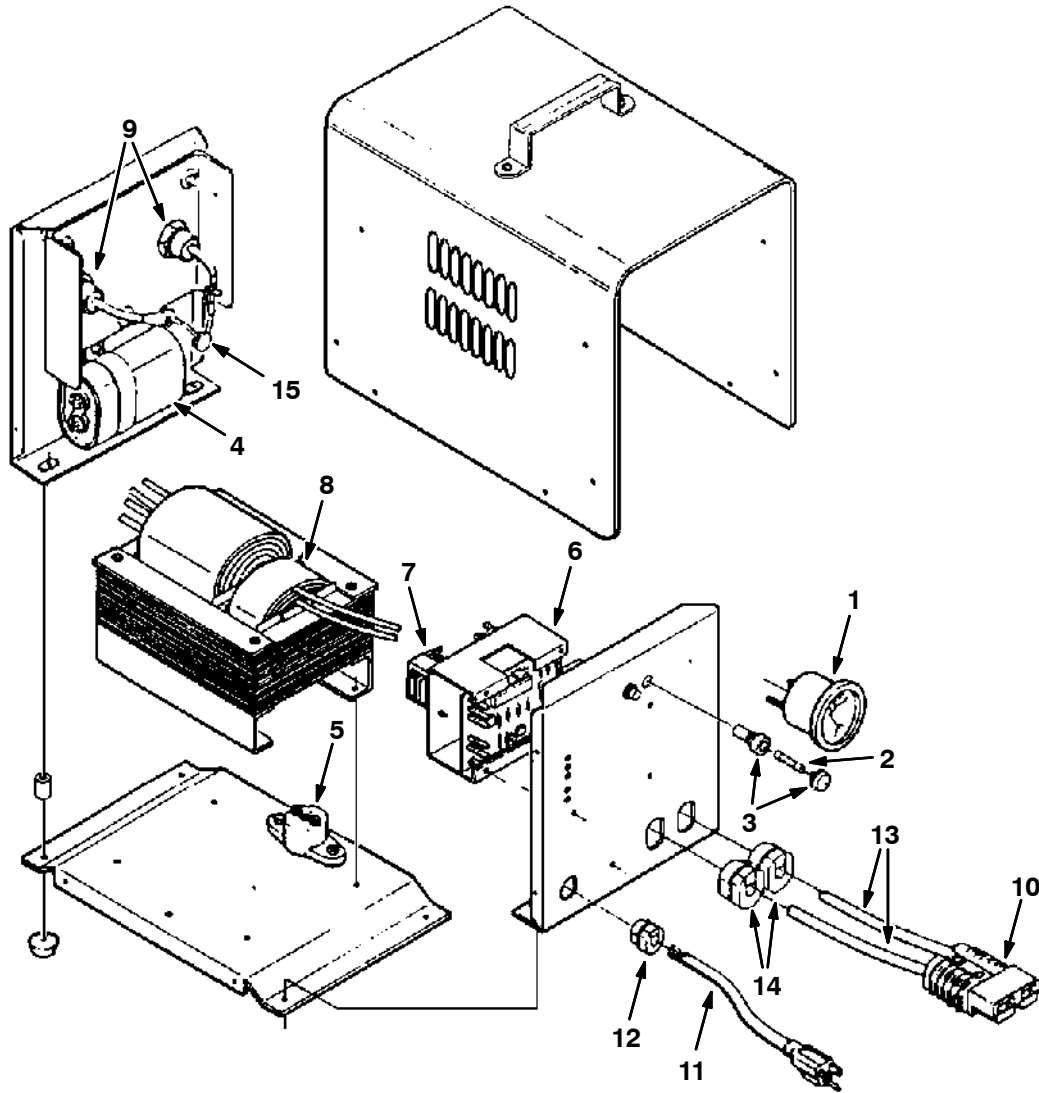
Fig. 19 - Battery Charger Breakdown, 50 Hz, 245V (235 Ah batteries), 65740



10262 - 5700, XP, NA

Ref.	Part No.	Serial Number	Description	Qty.	
▽	65740	(000000-) Charger, 36V/20A 50H/1Ph 245V	1	
▲	1	65632	(000000-) Fuse, A.C. 10 Amp	1
▲	2	65958	(000000-) Condenser	1
▲	3	65954	(000000-) Circuit Breaker	1
▲	4	65620	(000000-) Control Assy	1
▲	5	65724	(000000-) Power Tran	1
▲	6	61837	(000000-) Bridge Rectifier Kit	1
▲	7	65959	(000000-) Control Transformer	1
▲	8	30058	(000000-) Holder, Fuse Ac	1
▲	9	24881	(000000-) Connector, Grey, SB50	1
▲	10	21770	(000000-) A.C.Cord Set W/Plug	1
▲	11	21775	(000000-) A.C.Strain Relief	1
▲	12	21772	(000000-) D.C.Cord Set Wo/Plug	1
▲	13	21776	(000000-) D.C.Strain Relief	1

Fig. 20 - Battery Charger Breakdown, 50 Hz (305 Ah batteries), 222595

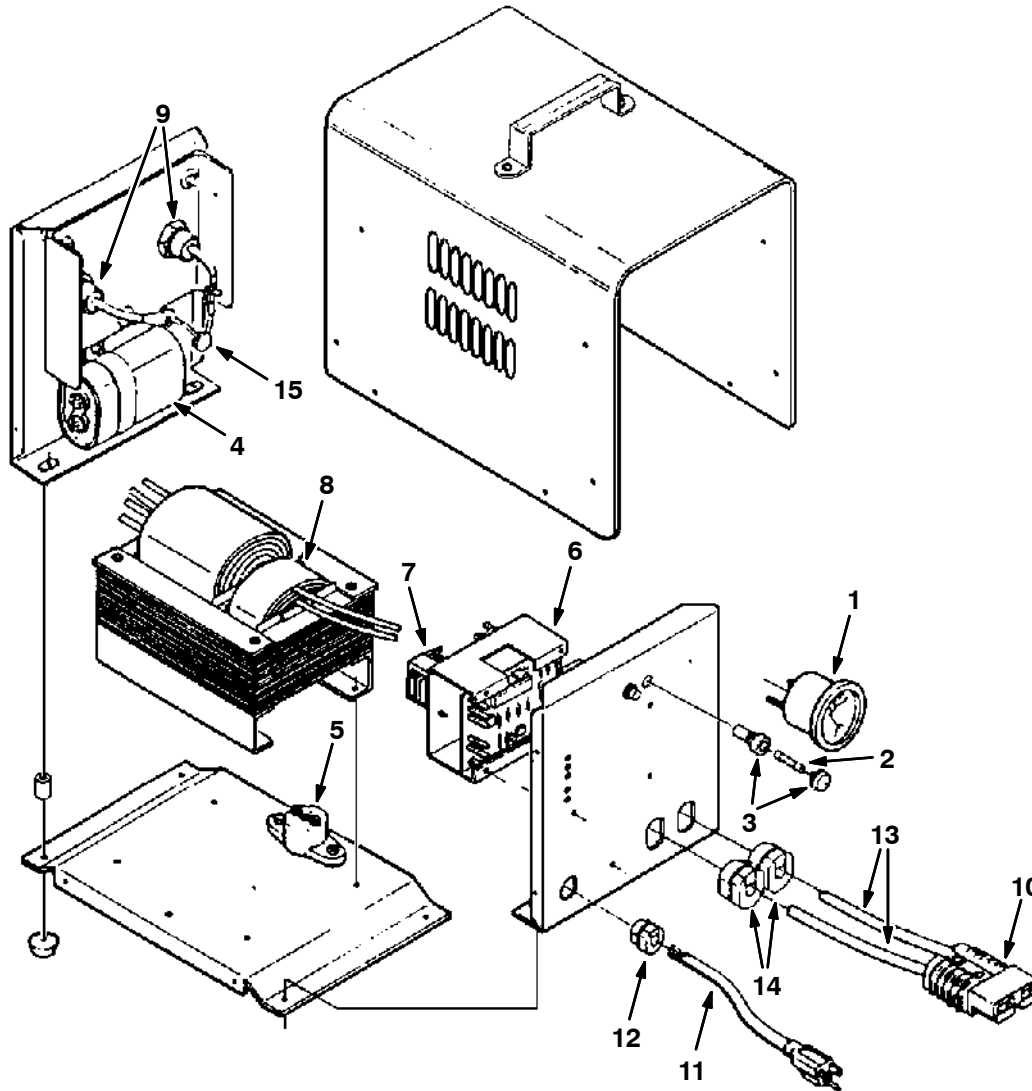


10263 - 5700, XP, NA

Ref.	Part No.	Serial Number	Description	Qty.
▽	222595	(000000-) Charger, 36V/30A 50H/1Ph 230V	1
▲	1 38889	(000000-) Ammeter	1
▲	2 65614	(000000-) Fuse, A.C. 15 Amp	1
▲	3 30058	(000000-) Holder, Fuse Ac	1
▲	4 65613	(000000-) Condensor 12.5Mfd	1
▲	5 65619	(000000-) Circuit Breaker	1
▲	6 65620	(000000-) Control Assy	1
▲	7 65959	(000000-) Control Transformer	1
▲	8 65618	(000000-) Power Transformer	1
▲	9 65616	(000000-) Diode	2
▲	10 24881	(000000-) Connector, Grey, SB50	1
▲	11 21770	(000000-) A.C.Cordset W/Plug	1
▲	12 21775	(000000-) A.C.Strain Relief	1
▲	13 21773	(000000-) D.C.Cordset W/Plug	1
▲	14 21776	(000000-) D.C.Strain Relief	2
▲	15 65630	(000000-) Varistor	1

BREAKDOWNS

Fig. 21 - Battery Charger Breakdown, 50 Hz (305 Ah batteries), 222691



10263 - 5700, XP, NA

Ref.	Part No.	Serial Number	Description	Qty.	
▽	222691	(000000-) Charger, 36V/30A 50H/1Ph 245V	1	
▲	1	38889	(000000-) Ammeter	1
▲	2	65614	(000000-) Fuse, A.C. 15 Amp	1
▲	3	30058	(000000-) Holder, Fuse Ac	1
▲	4	65726	(000000-) Capasitor 15Mfd	1
▲	5	65619	(000000-) Circuit Breaker	1
▲	6	65620	(000000-) Control Assy	1
▲	7	65959	(000000-) Control Transformer	1
▲	8	65727	(000000-) Power Transformer	1
▲	9	65616	(000000-) Diode	2
▲	10	24881	(000000-) Connector, Grey, SB50	1
▲	11	21770	(000000-) A.C.Cordset W/Plug	1
▲	12	21775	(000000-) A.C.Strain Relief	1
▲	13	21773	(000000-) D.C.Cordset W/Plug	1
▲	14	21776	(000000-) D.C.Strain Relief	2
▲	15	65630	(000000-) Varistor	1

SECTION 5

CONTENTS	PAGE
PART NUMBER TO PAGE NUMBER CROSS REFERENCE LIST	5-2
PART DESCRIPTION TO PAGE NUMBER CROSS REFERENCE LIST	5-8

CROSS REFERENCE

PART NUMBER TO PAGE NUMBER CROSS REFERENCE LIST

Part Number	Page Number	Part Number	Page Number	Part Number	Page Number
MM400	3-47	06923	2-61	1005522	3-41
MM400ES	3-47	06934	2-55	1005564	3-39
MM400FR	3-47	06942	2-27, 2-31, 2-35	1005630	3-41
MM400JP	3-47	06945	3-29, 3-31	1005739	3-29
MM406	3-47	06948	2-61	1005866	3-41
00926	2-17, 2-20, 4-10, 4-12	07786	2-63	1006400	3-39, 3-41
00928	4-9, 4-13	07788	3-12	1006401	3-35, 3-37
00954	4-8, 4-11	07810	2-27, 2-31, 2-35	1006415	3-29
01316	2-39, 3-26	08178	2-63	1006420	3-29
01335	3-18	08179	3-12	1006447	3-41
01516	2-27, 2-31, 2-35	08346	2-17, 2-20, 2-23, 2-25, 2-29, 2-33, 2-37	1007732	2-59
01684	2-5, 2-7, 2-9, 2-27, 2-29, 2-31, 2-33, 2-35, 2-37, 2-61, 3-37	08708	2-29, 2-33, 2-37, 2-61, 3-29, 3-31, 3-33	1008142	2-61
01685	2-11, 2-15, 2-17, 2-20, 2-23, 2-25, 2-27, 2-29, 2-31, 2-33, 2-35, 2-37, 2-39, 2-41, 2-43, 2-45, 2-47, 2-57, 2-59, 2-61, 2-63, 2-65, 2-67, 2-69, 2-71, 3-4, 3-9, 3-11, 3-12, 3-15, 3-17, 3-37	08712	2-61	1008211	3-29, 3-31, 3-33
01686	2-17, 2-20, 2-23, 2-25, 2-63	08713	2-11, 2-15, 2-17, 2-20, 2-23, 2-25, 2-27, 2-29, 2-31, 2-33, 2-35, 2-37, 2-39, 2-41, 2-47, 2-61, 2-63, 2-65, 2-67, 2-69, 2-71, 3-4, 3-11, 3-12, 3-15	1008270	3-42
01698	2-18, 2-21	08716	3-29, 3-31, 3-33	1008349	3-29, 3-31, 3-33
01713	2-59	09007	2-17, 2-20, 2-29, 2-33, 2-37	1008354	3-29
01754	2-61	09010	2-11, 2-53, 2-63, 3-12, 3-15	1008637	2-41
01757	2-49, 2-61	09011	2-11, 2-23, 2-25, 2-47, 3-4, 3-11, 3-12	1008639	2-41
01837	4-15, 4-17	09023	2-29, 2-33, 2-37, 2-63	1009318	2-59
01842	4-15	09026	2-11, 2-63	1010506	2-27, 2-31, 2-35
01856	4-15, 4-17	09120	2-65	1011167	2-41
01969	4-15	09198	2-5, 2-7, 2-9	1011168	2-41
01971	4-15, 4-17	09206	3-29, 3-31, 3-33	1012088	2-17, 2-20, 2-23, 2-25, 2-29, 2-33, 2-37
01982	4-15	09740	2-15, 2-17, 2-20, 2-27, 2-31, 2-35, 2-39, 2-41, 2-43, 2-45, 2-47	1013079	3-37
01983	4-15	09767	2-65, 2-67, 2-69, 2-71	1013902	3-31, 3-33
02076	2-49, 2-57	1002603	3-41	1014082	3-31, 3-33
02850	3-31, 3-33	1002789	3-39	1014553	3-31, 3-33
02942	2-15, 2-17, 2-20, 2-23, 2-25, 2-29, 2-33, 2-37, 2-63	1002898	3-29, 3-31, 3-33	1014563	2-11
02991	2-18, 2-21	1002899	3-29, 3-31, 3-33	1014673	3-37
02993	2-23, 2-25	1005086	3-39	1014791	3-37
04400	2-39, 3-26	1005218	3-41	1014957	3-37
04657	2-13, 3-22	1005219	3-41	1014985	3-31, 3-33
04658	2-13, 3-22	1005255	3-29, 3-31, 3-33	1014993	3-37
04743	3-12	1005304	3-41	1015042	3-31, 3-33
04843	2-11, 3-12	1005318	3-41	1017015	2-3, 3-29, 3-31, 3-33
05134	3-3	1005327	3-29	1017022	2-3, 3-33
05283	2-63	1005388	3-41	1017079	3-24
05579	3-4	1005413	3-33	1017218	2-11
05584	3-4	1005416	3-42	1018718	2-63
05594	3-4	1005425	3-42	1019242	3-24
05720	2-17, 2-20, 2-23, 2-25, 2-29, 2-33, 2-37	1005435	3-29, 3-31, 3-33	1019314	3-37
05724	2-7	1005506	3-41	1019440	3-37
05726	2-7	1005507	3-41	1019563	2-41
06549	2-55	1005508	3-41	1020364	3-39
06922	2-49	1005510	3-41	1020542	3-33
				1020556	3-43
				1022252	2-37
				1022253	2-33
				1022254	2-29
				1028487	3-29, 3-31, 3-33
				1028578	3-39
				1029426	2-17, 2-20, 2-23, 2-25, 2-29, 2-33, 2-37
				1031375	3-33
				10632-13	2-57, 2-59
				10925	4-6, 4-7, 4-8, 4-9, 4-11, 4-15, 4-17

CROSS REFERENCE

Part Number	Page Number	Part Number	Page Number	Part Number	Page Number
10926	4-15, 4-17	222022	2-25	222197	2-17, 2-20, 2-23, 2-25, 2-29, 2-33, 2-37
10962	2-53, 2-55	222027	2-15	222203	2-29
11109	2-13	222028	2-15, 3-12	222204	2-33
11117	4-3, 4-5	222034	2-15	222205	2-37
11218	2-5, 2-7, 2-9	222035	2-11	222207	2-17, 2-20, 2-23, 2-25, 2-29, 2-33, 2-37
11329	2-61	222036	2-11	222209	2-27, 2-31, 2-35
11399	2-39, 2-41	222037AM	2-11, 3-12, 4-3	222210	2-15
11531	2-41	222039	2-11	222215	2-53, 2-55
11635	3-37	222051	2-15	222216	2-53, 2-55
11636	3-18	222053	2-23, 2-25	222217	2-49
11756	4-15	222054	2-15	222218	2-49
11771	2-9	222055	2-17, 2-20, 2-23, 2-25, 2-29, 2-33, 2-37	222220	2-57, 2-59
11772	2-9	222066	2-3, 2-65, 2-67, 2-69, 2-71	222221	2-17
11773	2-9	222067	2-23, 2-25	222222	2-20, 2-25
11776	2-9	222079	2-51	222223	2-23
11777	2-9	222081	2-51	222225	2-53, 2-55
11778	2-9	222083	2-51	222227	2-61
11780	2-9	222085	2-11	222230	2-63
11781	2-9	222090	2-47	222231	2-63
12273	2-11, 2-39, 2-41, 3-37	222097	2-47	222233	2-63
12333	2-11, 2-43, 2-57, 2-59	222098	2-11	222234	2-63
12694	3-5, 3-44	222099	2-15	222236	2-63
140148	2-17, 2-20, 2-23, 2-25, 2-29, 2-33, 2-37	222110	2-15	222239	2-63
14432	2-39	222114	2-53, 2-55	222240	2-69
14838	2-5, 2-7, 2-9	222116	2-53	222241	2-3, 2-69
150208	3-7	222117	3-3, 3-9	222242	2-3, 2-69
150525	3-31, 3-33	222120	2-43	222243	2-69
15539	2-5, 2-7, 2-9	222121	2-43	222244	2-65, 2-67, 2-69, 2-71
15675	2-39, 2-41, 2-45, 2-47	222122	2-45	222245	2-65, 2-67, 2-69, 2-71
15678	2-27, 2-31, 2-35, 2-61	222124	3-15	222248	2-63
16944	2-59, 3-33	222127	3-15	222255AM	2-23, 2-25, 4-13
17188	3-3	222129	3-15	222258	3-9
17363	2-45, 3-15, 4-15	222130	2-65, 2-67, 2-69, 2-71	222259	3-3, 4-18
18626	4-12	222131	2-67	222260	2-65, 2-67, 2-69, 2-71
18627	4-15	222134	2-69	222267	2-55
18628	4-15, 4-17	222138	2-61	222268	2-65, 2-67, 2-69, 2-71
18630	4-15	222139	2-61	222277	2-63
18631	4-15	222151	2-39, 2-41	222280	2-49
19065	3-29, 3-31, 3-33	222153	2-63	222282	2-53, 2-55
19783	2-5, 2-7, 2-9	222158	2-59	222283	3-15
20170	2-59	222159	3-33	222287	2-51
20178	2-17, 2-20, 2-23, 2-25, 2-29, 2-33, 2-37	222167	2-29	222290	2-79, 2-83, 3-43
20536-2	4-8, 4-11	222173	2-27, 2-31, 2-35	222296	2-53
21556	3-47	222174	2-27, 2-31, 2-35	222297	2-53
21557	3-47	222175	2-27, 2-31, 2-35	222299	2-23, 2-25
21765	4-15	222176	2-27, 2-31, 2-35	222304	2-5
21769	4-19	222177	2-27, 2-31, 2-35	222305	2-5
21770	4-23, 4-24, 4-25, 4-26	222178	2-3, 2-29, 2-33, 2-37	222306	2-5
21771	4-21	222179	2-29, 2-33, 2-37	222307	2-7
21772	4-19, 4-23, 4-24	222180	2-3, 2-27, 2-31, 2-35	222308	2-7
21773	4-21, 4-25, 4-26	222182	2-27, 2-31, 2-35	222309	2-7
21775	4-19, 4-20, 4-21, 4-22, 4-23, 4-24, 4-25, 4-26	222184	2-27, 2-31, 2-35	222310	2-9
21776	4-19, 4-20, 4-21, 4-22, 4-23, 4-24, 4-25, 4-26	222185	2-47	222311	2-9
222012	2-17	222186	2-47	222312	2-9
222013	2-20	222188	2-47	222320	2-5
222014	2-23	222190	2-47	222321	2-5
		222194	2-39, 2-41	222322	2-5
		222196	2-29, 2-33, 2-37	222323	2-5

CROSS REFERENCE

Part Number	Page Number	Part Number	Page Number	Part Number	Page Number
222324	2-5	222458	3-19	222620	4-13
222325	2-5	222460	2-43, 2-61	222622	4-6
222326	2-5	222462	2-43	222623	4-8
222327	2-5	222463	2-43, 2-47	222625	4-6, 4-7, 4-8, 4-11
222349	3-4	222465	2-51	222629	4-6, 4-7, 4-8, 4-11
222351	3-3	222466	2-47	222634	4-6
222354	3-19	222467	2-11	222635	4-6, 4-8, 4-11
222355	3-15	222468	2-63	222637	4-6, 4-8, 4-11
222361	2-39, 2-41	222469AM	2-11	222638	4-6, 4-8
222363	2-17, 2-20, 2-23, 2-25, 2-29, 2-33, 2-37	222470	2-39, 3-17	222639	2-53, 2-55
222366	3-11	222473	2-49, 3-23	222640	4-3, 4-5
222367	3-11	222474	2-49	222641	4-3, 4-5
222368	2-67	222475	3-17	222647	2-61
222371	2-11, 4-3, 4-5, 4-6	222476	3-17	222648	2-51
222374	3-3, 3-9	222477	3-17	222649	4-13
222375	3-9	222478	3-17	222651	3-12
222376	3-9	222479	3-17	222656	4-3, 4-5
222378	2-67	222488	2-15	222657	4-3, 4-5
222381	2-3, 2-67	222490	2-18, 2-21, 4-9	222658	4-3, 4-5
222382	2-3, 2-67	222495	2-57	222659	4-3, 4-5
222383	2-39	222496	2-17, 2-20, 2-23, 2-25, 2-67, 2-69, 2-71	222660	4-3, 4-5
222384	2-3, 2-69	222497	2-65, 2-67, 2-69, 2-71	222661	4-3, 4-5
222385	2-3, 2-67	222501	2-51	222663	3-17
222386	2-3, 2-69	222504	2-15	222664	3-13
222387	2-3, 2-67	222505	2-11, 2-63	222665	2-61
222388	2-3, 2-69	222510	2-49	222666	2-79, 2-83
222389	2-3, 2-67	222511	2-3, 2-27, 2-31, 2-35	222667	2-39, 2-41
222391	2-3, 2-67	222516	2-39, 2-41, 2-43	222669	2-29, 2-33, 2-37
222392	2-3, 2-69	222517	2-39	222670	2-29, 2-33, 2-37
222399	2-63	222523	2-29, 2-33, 2-37	222679	2-53
222400	2-61	222527	2-43	222682	2-49
222402	2-61	222529	2-43	222683	2-53, 2-55
222403	2-3, 2-17, 2-20, 2-23, 2-25	222533	2-84	222684	2-53, 2-55
222404	2-17, 2-20, 2-23, 2-25	222534	2-53, 2-55	222689	2-43
222405	2-17, 2-20, 2-23, 2-25	222535	2-17, 2-20, 2-23, 2-25	222691	3-24, 4-26
222406	2-43	222536	2-17, 2-20, 2-23, 2-25, 2-29, 2-33, 2-37	222705	3-9
222412	2-71	222546	3-12	222707	2-79, 2-83
222413	2-3, 2-71	222547	3-12	222710	3-3
222414	2-3, 2-71	222552	3-12	222711	2-3
222415	2-3, 2-71	222555	3-12	222712	2-43
222416	2-3, 2-71	222556	3-12	222713	2-43
222417	2-71	222558	3-12	222714	2-53
222422	2-3, 2-67	222560	3-12	222728	2-47, 3-9
222423	2-3, 2-69	222578	2-84	222740	2-51
222424	2-3, 2-71	222580	2-57, 2-59	222742	2-47, 3-9
222428	2-3, 2-67	222589	2-57	222747	2-53, 2-55
222429	2-3, 2-69	222590	2-43	222750	3-9
222430	2-3, 2-17	222593	3-12	222751	2-27, 2-31, 2-35
222431	2-3, 2-20, 2-25	222594	3-24, 4-21	222752	2-27, 2-31, 2-35
222432	2-3, 2-23	222595	3-24, 4-25	222753	2-27, 2-31, 2-35, 4-8
222433	2-3, 2-71	222599	4-3, 4-5	222760	3-46
222434	2-3, 2-71	222604	3-3	222768	3-17
222435	2-3, 2-71	222606	4-9, 4-13	222777	3-23
222439	3-3	222607	2-51	222778	2-49
222440	2-17, 2-20	222616	4-9, 4-10	222788	2-39
222448	2-61	222617	4-9, 4-13	222791	2-27, 2-31, 2-35
222450	2-57, 2-59	222618	4-13	222793	2-39, 2-41
222451	3-3	222619	4-9, 4-10	222794	2-65, 2-67, 2-69, 2-71
				222796	3-17
				222798	3-46

CROSS REFERENCE

Part Number	Page Number	Part Number	Page Number	Part Number	Page Number
222799	2-61	30241	2-7	374023	4-20, 4-22
222801	2-53	30324	2-39	374025	4-22
222806	2-18, 2-21, 4-12	30327	3-17	374026	4-22
222808	3-25	30406	2-11, 2-17, 2-20, 2-23, 2-25	374027	4-22
222810	3-9	30407	2-15	374028	4-22
222811	3-9	32486	2-17, 2-18, 2-20, 2-21, 2-23, 2-25, 2-29, 2-33, 2-37, 2-67, 2-69, 2-71	374029	4-22
222812	2-47, 3-9	32490	2-17, 2-20, 2-23, 2-25, 2-59	374032	2-65
222818	2-27, 2-31, 2-35	32515	2-47	374033	2-65
222819	3-25	32662	2-17, 2-20, 2-23, 2-25, 2-29, 2-33, 2-37	374034	2-65
222820	2-27, 2-31, 2-35	32713	2-17, 2-20, 2-23, 2-25	374035	2-65
222822	2-39, 2-41, 3-3	32746	2-5, 2-7, 2-9	374036	2-65
222824	2-29	32980	2-59	374037	2-65
222825	2-33	32984	2-59	374039	2-65
222826	2-37	330710	3-47	374040	2-65
222827	2-39, 3-3	33943	2-17, 2-20, 2-23, 2-25	374041	2-5
222833	3-46	34738	2-53, 2-55, 2-61	374042	2-7
222835	2-29, 2-33, 2-37	363607	3-42	374043	2-9
222836	2-17, 2-20	36643	2-18, 2-21, 2-23, 2-25, 2-29, 2-33, 2-37	374044	3-21
222837	2-23, 2-25	368590	2-55	374045	3-26
222838	2-17, 2-20, 2-23, 2-25, 2-29, 2-33, 2-37	369345	3-20	374046	3-26
222842	2-11	369460	2-27, 2-31, 2-35	374049	2-13
222844	3-46	369761	2-55	374051	4-3
222845	3-26	369763	2-84	374052	4-3
222846	3-23	370014	2-5	374053	4-3, 4-5
222850	2-27, 2-31, 2-35	370016	2-7	374054	4-3, 4-5
222852	3-23	370018	2-9	374055	4-3, 4-5
222857	2-79	370074	2-5	374056	4-3, 4-5
222863	2-27, 2-31, 2-35	370076	2-7	374057	4-3, 4-5
222867	2-61	370078	2-9	374058	4-3, 4-5
222868	2-61	370091	2-5	374059	2-39
222877	4-8, 4-11	370092	2-7	374060	2-39, 2-41
222878	3-47	370093	2-9	374061	4-3
222879	2-53, 2-55	370095	2-5, 2-7, 2-9	374062	4-3
22297	2-41	370100	2-65, 2-67, 2-69, 2-71	374063	4-3
223264	2-45, 3-15, 4-15, 4-17	370113	2-39, 2-41	374064	4-3
223400	2-37	370114	2-45	374065	4-3
223560	2-27, 2-31, 2-35	370924	4-18	374066	4-3
223561	2-27, 2-31, 2-35	374003	4-6, 4-7	374072	3-26
223563	2-27, 2-31, 2-35	374004	4-8, 4-11	374073	3-45
223564	2-27, 2-31, 2-35	374005	4-13	374074	3-45
223566	2-27, 2-31, 2-35	374006	2-29	374075	3-45
223568	2-3, 2-27, 2-31, 2-35	374007	2-33	374076	3-45
223569	2-27, 2-31, 2-35	374008	2-37	374077	3-4
223641	3-23	374009	2-29	374078	3-27
24299	2-5, 2-7, 2-9	374010	2-33	374082	2-27, 2-31, 2-35
24537	4-6, 4-7, 4-8, 4-9, 4-11	374011	2-37	374085	2-65
24685	3-24, 4-19	374014	3-24, 4-20	374086	2-65
24881	2-49, 4-19, 4-20, 4-21, 4-22, 4-23, 4-24, 4-25, 4-26	374015	3-24, 4-22	374087	2-65
27974	2-51	374017	4-20	374088	2-65
28862	3-12	374018	4-20	374089	2-65
29558	2-15	374019	4-20	374090	2-65
30013	2-39, 2-41, 2-43, 2-53, 2-55, 3-17	374020	4-20	374109	3-27
30058	4-19, 4-21, 4-23, 4-24, 4-25, 4-26	374021	4-20	374111	2-39
30059	4-19, 4-21	374022	4-20	374121	2-53, 2-55
30216	2-7			374122	2-53, 2-55
				374123	2-53
				374132	2-47
				374162	2-29, 2-33, 2-37
				374265AM	2-11, 4-3, 4-5, 4-7
				374271	4-7

CROSS REFERENCE

Part Number	Page Number	Part Number	Page Number	Part Number	Page Number
374745	2-61	397707AM	2-11, 4-5	49266	2-45
374752	2-47	397749	2-69	49514	2-51
374753	2-47	397750	2-71	49694	2-65, 2-67, 2-69, 2-71
375175AM	2-27, 2-31, 2-35, 4-11	397751	2-67	49811	4-19, 4-21
375176	4-11	397777	2-47	49826	2-15, 3-9
375177	4-11	397787	2-47	49886	4-18
375178	4-11	397793	2-17, 2-20, 2-23, 2-25	49901	4-18
375179	4-11	397794	2-29, 2-33, 2-37	50178	3-9
375195	2-27, 2-31, 2-35	397820	2-63	50682	2-18, 2-21, 2-23, 2-25, 2-29, 2-33, 2-37
37637	4-12	397826	2-67, 2-69, 2-71	50895	3-39
37638	4-12	397905	2-83	51534	2-15
37643	4-12	397906	3-43	51564	2-29, 2-33, 2-37
377324	2-55	397907	2-49	51787	2-11
377333	2-27, 2-31, 2-35	397908	2-49	54274	2-11
377349	2-41	398311	2-11	54333	2-47, 3-3, 3-35, 3-37
377364	2-17, 2-20, 2-23, 2-25	398429	2-84	57164	2-53
377433	2-55	398440	2-39, 2-41	57751	2-53
377440AM	2-17, 2-20, 4-10	398485	2-43	57769	3-11
377505	2-27, 2-31, 2-35	398500	3-3	578060000	3-7
378726	3-44	398501	2-55	578061000	3-7
378728	3-44	398504	2-79	578063000	3-7
378729	3-44	398506	2-55	578064000	3-7
378983	4-15	398511	4-17	578066000	3-7
37909	4-15	398512	4-17	578071000	3-5
37912	4-15, 4-17	398513	4-17	578072000	3-5
379202	2-27, 2-31, 2-35	398514	4-17	578074000	3-7
37926	4-15	398515	4-17	578077000	3-7
37929	4-15, 4-17	398516	4-17	578078000	3-7
383720	2-55	398517	4-17	578091000	3-7
383721	2-55	398518	4-17	578094000	3-7
383723	2-55	398519	4-17	578123000	3-7
383724	2-55	398520	2-45, 3-15, 4-17	578124000	3-7
383726	2-23, 2-25	398526	2-57, 2-59, 3-3	578125000	3-7
383727	3-15	398850	2-39	578126000	3-7
38378	4-12	40678	2-45, 3-9	578143000	3-7
386810	2-57, 2-59	41141	2-53, 2-55	578154000	3-7
387588	4-10	41178	2-59	578155000	3-7
387592	4-10	41186	2-11, 2-17, 2-20, 2-23, 2-25	578160000	3-5
388485	4-3, 4-5	41360AM	2-27, 2-31, 2-35	578161000	3-7
388499	4-3, 4-5	41579	2-5, 2-7, 2-9	578164000	3-7
388539	4-22	42368	3-29	578214000	3-7
38889	4-21, 4-25, 4-26	43242	2-47	578228000	3-7
39005	2-65, 2-67, 2-69, 2-71, 3-12	43454	2-47, 3-12	578276000	3-5
390996	2-27, 2-31, 2-35	43500	2-11	578318000	3-5
391330	2-33	43555	3-41	578439	3-7
391433	3-41	43844	3-9, 3-29, 3-39, 3-41	578820000	3-5
391449	3-29, 3-31, 3-33	44961	2-17, 2-20, 2-23, 2-25, 2-27, 2-31, 2-35, 2-57, 2-59	578821000	3-7
391451	3-42	45261	2-17, 2-20, 2-23, 2-25, 2-29, 2-33, 2-37	57889	2-61
392206	2-71	45405	2-57, 2-59	579112	3-7
392211	2-71	45962	2-49	59156	2-17, 2-20, 2-23, 2-25, 2-29, 2-33, 2-37
392221	2-71	48996	2-23, 2-25	59658	2-11
39310	2-55	49162	3-29, 3-31, 3-33, 3-39	59849	2-17, 2-20, 2-23, 2-25
39311	2-53, 2-55, 2-57, 2-59	49186	3-41	602036000	3-7
39312	2-17, 2-20, 2-23, 2-25, 2-29, 2-33, 2-37	49263	2-17, 2-20, 2-23, 2-25, 2-29, 2-33, 2-37, 2-39, 2-41	60386	4-15, 4-17
393149	2-83			609969	2-53, 2-55
39349	2-59			611287000	4-10
397255	2-29, 2-33, 2-37			61212	3-11
397705	2-43			61297	4-15, 4-17

Part Number	Page Number	Part Number	Page Number
61298	4-15	65958	4-23, 4-24
61300	4-15, 4-17	65959	4-23, 4-24, 4-25, 4-26
613735	3-31, 3-33	67767	3-33
61456	3-39	69234	2-39, 2-41
61596	3-22	69784	3-3
61597	3-22	72953	3-3
61598	3-21	74077	2-27, 2-31, 2-35
61837	4-19, 4-23, 4-24	74455	2-29, 2-33, 2-37
63185	2-17, 2-20, 2-23, 2-25, 2-29, 2-33, 2-37	75611	2-39, 2-41, 2-43
63245-1	3-35	76099	2-27, 2-29, 2-31, 2-33, 2-35, 2-37, 3-37
63248-1	2-7	76888	2-53, 2-55
63248-2	2-7	769251	2-59
63248-3	2-7	78553	3-13
63248-4	2-7	78572	2-13
63291	2-57	79273-1	2-39, 2-41, 3-39
63416	2-63	79273	3-41
63735	2-49	79484	3-39
63810	2-47	79506	2-61
64743	3-37	79580	3-9
64778	3-3	80950	2-63
65340	3-7	82138	2-3, 2-65, 2-67, 2-69, 2-71
65341	3-5	86866	2-15
65540	3-24, 4-23	87435	2-49
65580	3-4, 3-11	87583	2-53
65582	3-7	9000548	3-29
65610	3-7	9001054	3-24
65613	4-21, 4-25	9001055	3-24
65614	4-25, 4-26	9002021	2-3, 3-33
65616	4-21, 4-25, 4-26	9002024	2-18, 2-21, 2-23, 2-25, 2-29, 2-33, 2-37
65618	4-25	9002780	2-63
65619	4-21, 4-25, 4-26	9002781	2-63
65620	4-23, 4-24, 4-25, 4-26		
65621	4-19		
65626	4-19, 4-21		
65628	4-21		
65629	4-19, 4-21		
65630	4-20, 4-21, 4-22, 4-25, 4-26		
65632	4-23, 4-24		
65634	4-23		
65638	4-19		
65665	3-13		
65667	4-18		
65668	4-18		
65675	4-18		
65700	4-18		
65701	4-18		
65702	4-18		
65706	4-18		
65707	4-18		
65708	4-18		
65709	4-18		
65710	4-18		
65724	4-24		
65726	4-26		
65727	4-26		
65740	3-24, 4-24		
65873	3-3		
65954	4-19, 4-20, 4-23, 4-24		

PART DESCRIPTION TO PAGE NUMBER CROSS REFERENCE LIST

A

A.C.Cord Set W/Plug, 4-19, 4-23, 4-24
 A.C.Cordset W/Plug, 4-21, 4-25, 4-26
 A.C.Strain Relief, 4-19, 4-20, 4-21, 4-22,
 4-23, 4-24, 4-25, 4-26
 Adapter, Head, 3-7
 Adapter, Nozzle, 3-7
 Adaptor, Brush, 2-5, 2-7, 2-9
 Ammeter, 4-21, 4-25, 4-26
 Angle, Head, Cyl, 700mm, 3-37
 Angle, Head, Cyl, 800mm, 3-37
 Arm, Lift, Head, 2-15
 Arm, Park, 4-3
 Armature, 4-15, 4-17
 Axle, Wand, 3-7

B

Back, Pad Drive W/Face 14 Dia., 2-5
 Back, Pad Drive W/Face 16 Dia., 2-7
 Back, Pad Drive W/Face 18 Dia., 2-9
 Bag, Power Wand, 3-4, 3-11
 Band Wldt, Sqge 28, 2-67
 Band Wldt, Sqge 32, 2-69
 Band Wldt, Sqge 36, 2-71
 Band Wldt, Sqge, Tight-Aisle, 2-65
 Bar, Support, 2-27, 2-31, 2-35
 Battery Kit 36V 235Ah Wet, 2-49
 Battery Kit 36V 335Ah Wet, 3-23
 Battery, 6V, Res Cap: 129 Wet, 2-49
 Battery, 6V, Res Cap:196 Wet, 3-23
 Bearing & Seal Kit, 4-6
 Bearing Cover, 4-18
 Bearing Kit, Motor, Ele, 4-7
 Bearing Kit, 4-8
 Bearing, Commutator, End, 4-10
 Bearing, Drive End, 4-11
 Bearing, Flange .625 Bore, 2-11, 3-12
 Bearing, Flange, 2-61
 Bearing, Motor, Ele, Front [lp], 4-10
 Bearing, Snap .875 Bore, 2-51
 Bearing-Ball,0.59B 1.26D 0.35W, 2-27,
 2-31, 2-35
 Bearing, 4-3, 4-5, 4-6, 4-8, 4-9, 4-11, 4-12,
 4-13, 4-15, 4-17
 Belt, Replmt, Brush Drive, F/222201, 2-27,
 2-31, 2-35
 Blade, End, Sqge, Tight-Aisle, 2-65
 Blade, Sqge Front,32" Oil Rst, 2-69
 Blade, Sqge, Front 28" Oil Rst, 2-67
 Blade, Sqge, Front, 28", Oil Rst, 2-3
 Blade, Sqge, Front, 32", Oil Rst, 2-3
 Blade, Sqge, Front, 36", Oil Rst, 2-3
 Blade, Sqge, Front, 36"Oil Rst, 2-71
 Blade, Sqge, Front, Tight-Aisle, Oil Rst,
 2-65
 Blade, Sqge, Front, Tight-Aisle, Tile, 2-65
 Blade, Sqge, Rear 28"Oil Resis, 2-67
 Blade, Sqge, Rear 32" Oil Resi, 2-69
 Blade, Sqge, Rear 36" Oil Rst, 2-71

Blade, Sqge, Rear, 28", Oil Rst, 2-3
 Blade, Sqge, Rear, 32", Oil Rst, 2-3
 Blade, Sqge, Rear, 36", Oil Rst, 2-3
 Blade, Sqge, Rear, Tight-Aisle, Oil Rst,
 2-65
 Blade, Sqge, Rear, Tight-Aisle, Tile, 2-65
 Blade, Sqge,Rear,Gum, 28", 2-3
 Blade, Sqge,Rear,Gum, 32", 2-3
 Blade, Sqge,Rear,Gum, 36", 2-3
 Blade, Squeegee, Rear Gum, 36", 2-71
 Blade, Squeegee, Rear, Gum 28", 2-67
 Blade, Squeegee, Rear,Gum 32", 2-69
 Blade, Squeegee, Tile 28", 2-67
 Blade, Squeegee, Tile, 32", 2-69
 Blade, Squeegee, Tile, 36", 2-71
 Blade, Squeegee,Front, 28", 2-3, 2-67
 Blade, Squeegee,Front, 32", 2-3, 2-69
 Blade, Squeegee,Front, 36", 2-3, 2-71
 Blade, Squeegee,Front, Tight-Aisle, 2-65
 Blade, Squeegee,Rear, 28", 2-3, 2-67
 Blade, Squeegee,Rear, 32", 2-3, 2-69
 Blade, Squeegee,Rear, 36", 2-3, 2-71
 Blade, Squeegee,Rear, Tight-Aisle, 2-65
 Blade, Squeegee,Tile, 28", 2-3
 Blade, Squeegee,Tile, 32", 2-3
 Blade, Squeegee,Tile, 36", 2-3
 Blade, Squeegee, 3-7
 Block, Squeegee, Adjust, 2-63
 Block, Pivot, Machined, 2-63
 Bolt Kit, Shld, F/ 45960, Replmt, 2-18,
 2-21, 2-23, 2-25, 2-29, 2-33, 2-37
 Boot, 90Deg .50D .57X .84, 2-49, 2-57
 Boot-Circuit Breaker, 2-53
 Brace Kit, 4-8
 Bracket Wldt, Bar, Spray, 800mm, 3-37
 Bracket Wldt, Bar, Spray, 700mm, 3-37
 Bracket Wldt, Wall Roller, Lh, 3-17
 Bracket Wldt, Wall Roller, Rh, 3-17
 Bracket, Axle, 3-7
 Bracket, Bar, Spray, 3-37
 Bracket, Caster Pad, 2-11
 Bracket, Catch, 2-61
 Bracket, Fan End, 4-15, 4-17
 Bracket, Fan Switch, 2-61
 Bracket, Guide, Roller, 2-15
 Bracket, Handle Mounting, 3-7
 Bracket, Hose Guide, 2-29, 2-33, 2-37
 Bracket, Lift Retainer, 3-12
 Bracket, Linkage, Lower, 2-63
 Bracket, Linkage, Upper, 2-63
 Bracket, Locking, Shroud, 2-53, 2-55
 Bracket, Mounting, Actuator, 2-15
 Bracket, Mounting, Motor, 2-27, 2-31, 2-35
 Bracket, Mounting, Roller, 2-29, 2-33, 2-37
 Bracket, Mounting, Vac Fan, 2-45, 3-15
 Bracket, Mtg, Bag, 3-11
 Bracket, Mtg, Isolator, 2-11
 Bracket, Mtg, Spring, 2-17, 2-20, 2-23,
 2-25, 2-29, 2-33, 2-37
 Bracket, Mtg, Transaxle, 2-11
 Bracket, Mtg, Valve, 2-47

Bracket, Mtg, Wheel, 2-65, 2-67, 2-69,
 2-71
 Bracket, Pivot, 2-17, 2-20, 2-23, 2-25,
 2-29, 2-33, 2-37
 Bracket, Prop Arm, 2-43
 Bracket, Roller Guide, 2-15
 Bracket, Shield, 2-27, 2-31, 2-35
 Bracket, Sppt, Wand, 3-11
 Bracket, Spring Retainer, 2-5, 2-7, 2-9
 Bracket, Steering Adjustment, 2-53, 2-55
 Bracket, Support, Frame, 2-11
 Bracket, Tank Support, 2-15
 Bracket, Valve Mounting, 3-7
 Bracket, Wldt, Box, Detgt, 3-29
 Brake Weldment, Parking, 3-12
 Breaker, Circuit 20 Amp, 2-53
 Breaker, Circuit, 25 Amp, 2-53
 Breaker, Circuit, 35Amp, 2-23, 2-25
 Breaker, Circuit, 40Amp, 3-15
 Breaker-Circuit 10 Resetable, 2-53
 Breaker-Circuit 2.5 Resetable, 2-53
 Brg&Seal Kit, 4-3, 4-5
 Bridge Rectifier Kit, 4-19, 4-23, 4-24
 Brkt Wldt, Box, Dtrgt, 3-31, 3-33
 Brkt, Pump, Soluton, 3-41
 Brush Assembly, 4-12
 Brush Holder Cap, 4-6, 4-8
 Brush Kit, 4-6, 4-8, 4-9, 4-13, 4-18
 Brush Mechanism, 4-15, 4-17
 Brush, Spring, 4-10
 Brush, Wand AB, 3-7
 Brush, Wand, Poly, 3-7
 Brush,Imp572009, 4-10
 Brush-Disk Scr 14 D-Assy-Ab, 2-5
 Brush-Disk Scr 14 D Assy-Nylon, 3-5
 Brush-Disk Scr 14 D Assy-Poly, 2-5
 Brush-Disk Scr 16 D Assy-Poly, 2-7
 Brush-Disk Scr 16 D-Assy-Nyl, 2-7
 Brush-Disk Scr 16 D-Assy-S Ab, 2-7
 Brush-Disk Scr 18 D Assy Nylon, 2-9
 Brush-Disk Scr-18 D Assy Ab, 2-9
 Brush-Disk Scr-18 D-Assy-Poly, 2-9
 Brush-Endbell, 4-18
 Brush-Scr Grout 28"Lg 18Sr Poly, 2-5
 Brush-Scr Grout 32"Lg 18Sr Poly, 2-7
 Brush-Scr Grout 36"Lg 18Sr Poly, 2-9
 Brush-Scrub -32Lg-18Sr-Nyl, 2-7
 Brush-Scrub 28"Lg 18Sr Ab, 2-5
 Brush-Scrub 28"Lg 18Sr Nylon, 2-5
 Brush-Scrub 28"Lg 18Sr Poly, 2-5
 Brush-Scrub 32"Lg 18Sr Ab, 2-7
 Brush-Scrub 32"Lg 18Sr Poly, 2-7
 Brush-Scrub 36"Lg 18Sr Ab, 2-9
 Brush-Scrub 36"Lg 18Sr Nylon, 2-9
 Brush-Scrub 36"Lg 18Sr Poly, 2-9
 Bumper, Handle, 2-61
 Bumper, Rubber, 2-11
 Busbar, .06 0.6w 2.1l 2/.34x.63slot, 2-59
 Bushing, Flng, 0.32b 0.50d 0.24l, Bnz,
 2-63
 Bushing, 4-3, 4-5

Button Kit Battery Cutout 5700, 3-13
 Button, Plug, 1.1 X 1.1H [Black Nyl], 2-55
 Button, Plug, 1.25H .00-.12 [Black Nyl],
 2-55
 Bypass Spgs&Popp, 4-18

C

Cable Assy, Hose Retainer, 2-39, 2-41
 Cable Assy, Water, 2-47
 Cable Assy-Lead, 11.0, 6Ga, 2-49
 Cable, Battery, 2-49
 Cable, Squeegee Lift, 2-61
 Cam Brg/Diaph Kit, 4-18
 Cam, Adj, Sqge, 2-65, 2-67, 2-69, 2-71
 Cam, Fan Switch, 2-61
 Cam/Bearing Scr, 4-18
 Cap, Battery, 3-23
 Cap, Brush Holder, Motor, Ele[Magnetek],
 4-7
 Cap, Brush Holder, 4-11
 Cap, Drain Assembly, 2-41
 Cap, Oil, 4-3, 4-5
 Cap, Vinyl, 1.25ld, .75Dia, 3-26
 Capacitor, Electric, Plug, 2-83
 Capacitor, Molded, 2-79
 Capacitor, 4-19
 Capasitor 15Mfd, 4-26
 Caster, 5.0 Dia Wheel, Neopre, 3-19
 Caster, 5.0 Dia Wheel, 2-11
 Centering Device, F/Pad Driver, 2-5, 2-7,
 2-9
 Chain, Coil, Str, #210, 09.0L 07 Link, 2-11
 Chain,Static, Brass, 2-11
 Channel, 2-29, 2-33, 2-37
 Charger 36V 20A 60H Ph, 4-19
 Charger 36V/20A/60Hz/1Ph/115V, 4-20
 Charger 36V/30A/60Hz/1Ph/115V, 4-22
 Charger Kit, Battery, Ci [Domestic], 3-24
 Charger Kit, Ci [Export/Euro/Asia], 3-24
 Charger, 36v Rep.By 374015, 3-24
 Charger, 36V/20A 50H/ Ph 230V, 4-23
 Charger, 36V/20A 50H/1Ph 245V, 4-24
 Charger, 36V/30A 50H/1Ph 230V, 4-25
 Charger, 36V/30A 50H/1Ph 245V, 4-26
 Charger, 36V/30A 60H/1Ph 115V, 4-21
 Charger, 36vdc 20a 115vac 1ph 60hz, 3-24
 Charger, 36vdc 20a 230vac 1ph 50hz, 3-24
 Charger, 36vdc 20a 245vac 1ph 50hz, 3-24
 Charger, 36vdc 30a 120vac 1ph 60hz, 3-24
 Charger, 36vdc 30a 230vac 1ph 50hz, 3-24
 Charger, 36vdc 30a 245vac 1ph 50hz, 3-24
 Charger, Rep By 374014, 3-24
 Circuit Breaker 15A, 4-20
 Circuit Breaker 20A/AC, 4-22
 Circuit Breaker, 4-19, 4-20, 4-21, 4-23,
 4-24, 4-25, 4-26
 Circuitbreaker, 10.0A, 2-55
 Circuitbreaker, 20.0A, 2-55
 Circuitbreaker, 25.0A, 2-55
 Circuitbreaker, 5.0A, 2-55
 Ck Valve - Buna, 4-18
 Clamp, Cable, 1.00D 0.62W Stl, 2-39, 2-41

Clamp, Cable, Ribbon, 1.25w 0.25h Plstc,
 2-83
 Clamp, Cable, Stl, 0.69d X 0.62w, 1h, 3-33
 Clamp, Cable, Stl, 0.6x1.2x0.75w, 1h, 2-59
 Clamp, Hose, Wir, .29 - .31 [Dbl Wire],
 3-33
 Clamp, Hose, Wire, .40 - .42, 3-31, 3-33
 Clamp, Hose, Wormdrive, 0.25-0.62D,
 .31W, 3-39
 Clamp, Hose, Wormdrive, 0.25-0.62d,
 3-29, 3-39, 3-41
 Clamp, Hose, Wormdrive, 0.31-0.88d,
 .31w, 3-37
 Clamp, Hose, Wormdrive, 0.31-0.88D,
 3-35
 Clamp, Hose, Wormdrive, 0.56-1.06d,
 .56w, 2-47
 Clamp, Hose, Wormdrive, 1.06-2.00d,
 2-41
 Clamp, Hose, Wormdrive, 1.62-3.50d,
 3-41
 Clamp, Hose, 3-5, 3-7
 Clamp, Ribbon Cable, 2-79
 Clamp,Cable .44D .62Wide, 3-9
 Clamp-Cable, 0.44D 0.62W, 2-45
 Clamp-Wormdrive, 0.25 - 0.62D, 3-9
 Clamp-Wormdrive, 0.25- 0.62D, 3-9
 Clamp-Wormdrive, 0.31- 0.88D, Ss, 3-9
 Clamp-Wormdrive, 0.31- 0.88D, 2-47, 3-3
 Clamp-Wormdrive, 0.81- 1.50D, 2-39,
 2-41
 Clamp-Wormdrive, 1.56-2.50d, .50w, 2-41
 Clamp-Wormdrive, 1.62-3.50D, 3-3
 Clamp-Wormdrive, 1.81- 2.75D, 2-39
 Clamp, 4-15
 Clevis, Adjustable M12, 3-12
 Clip, Canoe, 2-57
 Clip, Hose, Hanger, 2-39, 2-41
 Clip, Keeper, Open, 2-15
 Clip, Keeper, St, 2-11, 2-17, 2-20, 2-23,
 2-25
 Clip, 4-3, 4-5
 Comm. Bracket, 4-15, 4-17
 Condenser, 4-23, 4-24
 Condensor 12.5Mfd, 4-21, 4-25
 Connector Body, 4-13
 Connector, 2 Conductor, 4-6, 4-8, 4-9,
 4-15, 4-17
 Connector, 2-Conductor, 4-11
 Connector, Fem, 2cav [Mp630 Sealed], 4-7
 Connector, Grey, SB50, 2-49, 4-19, 4-20,
 4-21, 4-22, 4-23, 4-24, 4-25, 4-26
 Contact, Switch, 3-13
 Contact, 36Vdc, 2-57, 2-59
 Contact, Power, 2-57
 Control Assy, 4-23, 4-24, 4-25, 4-26
 Control Circuit 36V/30A, 4-22
 Control Circuit Tx2, 4-19, 4-21
 Control Circuit, 4-19, 4-20, 4-21
 Control Transformer, 4-23, 4-24, 4-25, 4-26
 Controller, Propel, 2-57, 2-59
 Cord Assy A.C., 4-20, 4-22
 Cord Assy D.C., 4-20, 4-22

Cord, Ele, Chrgr [European], 3-24
 Cord, Ele, Chrgr [Onboard], 3-24
 Coupling, Fem, W/ Valve, .25 Brb, 3-29,
 3-31, 3-33
 Coupling, Mal, .25 Npt, 3-29, 3-31, 3-33
 Cover, Scrub Head 36 Disk, 2-23
 Cover, Front, Trim, [5700 Cyl], 2-29, 2-33,
 2-37
 Cover, Front, Trim, [5700 Disk], 2-17, 2-20,
 2-23, 2-25
 Cover, Scrub Head 28 Disk, 2-17
 Cover, Scrub Head 32 Disk, 2-20, 2-25
 Cover, Solution Tank, w/Label, 2-43
 Cover, Terminal,Poly, 2-49
 Cuff, Swivel, 3-5

D

D.C.Cord Set Wo/Plug, 4-19, 4-23, 4-24
 D.C.Cordset W/Plug, 4-21, 4-25, 4-26
 D.C.Strain Relief, 4-19, 4-20, 4-21, 4-22,
 4-23, 4-24, 4-25, 4-26
 Debris Tray Kit, 28 in, 2-29
 Debris Tray Kit, 32 in, 2-33
 Debris Tray Kit, 36 in, 2-37
 Detergent Pkg, 2 Liter, Sgl, 365, 2-3, 3-29,
 3-31, 3-33
 Detergent Pkg, 2 Liter, Sgl, 665, 2-3, 3-33
 Detergent, 2 Liter [Fast 965], 2-3, 3-33
 Diaphragm Kit, 4-18
 Diode, Bridge 12 Amp, 2-53, 2-55
 Diode, Ele, Plug, 2-83, 3-43
 Diode, Elec, Plug, 2-79
 Diode, 4-21, 4-25, 4-26
 Disc, 4-15
 Door Assy, Brush, 2-27, 2-31, 2-35
 Door, Brush, 2-27, 2-31, 2-35
 Door, Scrub Head, Lh, 2-17, 2-20, 2-23,
 2-25
 Door, Scrub Head, Rh, 2-17, 2-20, 2-23,
 2-25
 Driver, Pad 14 D Assy (Replaced by
 370014), 2-5
 Driver, Pad 14 D Assy, 2-5
 Driver, Pad 16 D Assy (Replaced by
 370016), 2-7
 Driver, Pad 16 D Assy, 2-7
 Driver, Pad 18 D Assy (Replaced by
 370018), 2-9
 Driver, Pad 18 D Assy, 2-9

E

End Ass'y, Brush, 4-6, 4-8
 Endbell, Brush End, Motor, Ele [Magnt, 4-7
 Endbell, Brush End, Motor-Ele, 4-11
 Es Standard 5700, 3-3

CROSS REFERENCE

F

Fan Assy, Vacuum (See Breakdowns), 2-45, 3-15
Fan, Vac (See Breakdowns), 2-45, 3-15
Fan, Vacuum, 4-15, 4-17
Fan, 4-15, 4-17
Filter Assy, Air, Molded Ure, 3-29, 3-31, 3-33
Filter, Foam, 3-39
Filter, Inline, Pf08/Pf08, 80 Mesh, 3-41
Filter, Vac Fan 5700, Field Kit, 2-45
Filter, Vac Fan, 2-39, 2-41
Fitting, 90° Elbow, 3-7
Fitting, Brs, E90, Cf03/Pf02, 3-31, 3-33
Fitting, Brs, Str, Pm02/Bm04, 3-31, 3-33
Fitting, Plastic, 3-5
Fitting, Plstc, Body, Spray, Pf04, 3-41
Fitting, Plstc, Cap Assy, 0.040b, Pf04, 3-41
Fitting, Plstc, Cap, Spray, Pf04, 3-41
Fitting, Plstc, Cvalve, Bm03/Bm03, 3-29
Fitting, Plstc, E90, Bm06/Pm02, Nyl, 3-39
Fitting, Plstc, E90, Bm06/Pm06, Nyl, 3-41
Fitting, Plstc, E90, Bm06/Pm12, Nyl, 3-39
Fitting, Plstc, E90, Pf06/Pm06, Nyl, 3-41
Fitting, Plstc, Pf12/Pf12, Bh, 2-41
Fitting, Plstc, Piep, Cap, Pf04, 3-29, 3-31, 3-33
Fitting, Plstc, Str, Bm03, 1/4-28, Kynar, 3-29
Fitting, Plstc, Str, Bm06/Pm04, 3-41
Fitting, Plstc, Str, Bm06/Pm08, 3-41
Fitting, Plstc, Str, Bm08/Pm06, 3-37
Fitting, Plstc, Str, Bm08/Pm12, 3-39
Fitting, Plstc, Str, Pm04/Pm06, 3-41
Fitting, Plstc, Str, Pm08/Pm12, 3-41
Fitting, Plstc, Tee, Bm06/Bm03/Bm06, 3-39
Fitting, Plstc, Tee, Bm06/Bm04/Bm06, 3-39
Fitting, Plstc, Tee, Bm08/Bm08/Bm08, 3-35
Fitting, Plug, 3-7
Fitting, Quick Disconnect, 3-5, 3-7
Fitting, Straight, 3-7
Fitting-Plastic Tee 06Bm/06Bm/, 2-17, 2-20, 2-23, 2-25, 2-29, 2-33, 2-37
Frame, Main, 2-11
Frame, Sqge 28", 2-67
Frame, Sqge, Tight-Aisle, 2-65
Frame, Squeegee 32", 2-69
Frame, Squeegee 36", 2-71
Ftg Str Plastic, 2-47
Ftg, Pipe, Cplg Plastic 0.75, 3-3
Ftg, Plastic, Coupling, 3-44
Ftg, Str, Drain, 3-9
Ftg,Plstc,Cplg,Barb.75Pt-.50Hs, 2-39, 2-41
Ftg,Plstc,Elb,Barb.38Pt-.50Hse, 3-3
Ftg-Plastic E90 06Bm/08Bm, 3-9
Ftg-Plastic Str Specl 12Pm, 3-3, 3-9
Ftg-Plastic Str, 3-9
Ftg-Plstc Str 12Pm/12Pm, 3-3

Ftg-Plug Npt 12Pm Rd Hd Plstc., 2-39, 2-41, 2-43
Fuse, A.C. 10 Amp, 4-23, 4-24
Fuse, A.C. 15 Amp, 4-25, 4-26
Fuse, Blade, 10a, 58vdc, 2-83
Fuse, D.C. 80Amp, 4-22
Fuse, 4-19, 4-21

G

Gasket, End Bell, 2-17, 2-20
Gasket, Hourmeter, 2-53
Gasket, hourmeter, 2-55
Gasket, Plate, Fan Mtg, 3-15
Gasket, Shield, 2-27, 2-31, 2-35
Gasket, Tank, Front, 2-43
Gasket, Tank, Rear, 2-43
Gauge Kit, Hourmeter, F/31988 [10k], 2-55
Gauge, Hourmeter, 12-80vdc, Analog,Rt., 1, 2-55
Gauge, Hourmeter, Electronic, 2-53
Gauge, Hourmeter, 2-55
Gauge, Voltmeter, 27-40Vdc 2.2D, 2-55
Gauge,Brush Pressure 2.25, 2-55
Gear, 28 T. 24P, 2-51
Gear, Speed Control, 2-51
Gearbox, Motor, 4-13
Grip, Handle [Oblong], 2-61
Grip, Handle, Round, 2-51
Grip, Handle, 2-47, 3-12
Grommet,Rbr,1.50ld,For .19Matl, 2-57, 2-59
Grommet, 3-7
Guard, Belt, Lh, 2-27, 2-31, 2-35
Guard, Belt, Rh, 2-27, 2-31, 2-35
Guard, Splash, Curtis Board, 2-57, 2-59

H

Handle, Speed Control, 2-51
Handle, Wand, 3-7
Harness, Adaptor, [Fast Det 36V To 24V], 3-43
Harness, Cable, Battery, 2-49
Harness, Ele, Fast [5700], 3-43
Harness, Main, [5700], 2-83
Harness, Main, Std, 2-79
Harness, Wire, Cyl Head, Elec, 2-29, 2-33, 2-37
Harness, Wire, Disk Head, Elec, 2-17, 2-20, 2-23, 2-25
Head, Pump, Kit, 3-41
Head, Wand, 3-7
Hinge Leaf, Wldt, Rear, 2-43
Hinge Leaf, 2-43
Hinge Wldt, Leaf, 2-43
Holder, Fuse Ac, 4-19, 4-21, 4-23, 4-24, 4-25, 4-26
Holder, Pad, 2-5, 2-7, 2-9
Hose & Cuff Assy, Drain .5ld 27.5L, 2-39
Hose & Cuff Assy, Vacuum 1.51D 32L, 2-39, 2-41

Hose Assembly, 3-5
Hose Assy, Drain, 3-44
Hose Assy, Vacuum Wand, 3-4
Hose Assy, Water, 3-9
Hose End, Curved, 3-4
Hose Vinyl Cl.,0.38 ldx 4.60Lg, 3-9
Hose, .50ld X 26.0, 3-9
Hose, Afmkt Replmt, Brd, 0.38id 3Ft, 3-39, 3-41
Hose, Afmkt Replmt, Clr, 0.19id 3Ft, 3-29
Hose, Afmkt Replmt, Clr, 0.25id 3Ft, 3-29
Hose, Afmkt, Pvc, Clr 0.25id 8ft, 3-31, 3-33
Hose, Afmkt, Replmt, Brd, 0.50ld 3Ft, 3-35, 3-37
Hose, Assembly, Drain, 25.7, 2-41
Hose, Assembly, Drain, 26.7, 2-41
Hose, Drain, Extension, 3-44
Hose, Drain, Flex, 2-39, 2-41
Hose, Drain, Tank, Solution, 2-39
Hose, Drain, 3-44
Hose, Inlet Recovery Tank, 2-39, 2-41
Hose, Pvc .50ldx.73Od 23.0Lg, 3-3
Hose, Pvc, 2-47
Hose, Rbr, E90, .62ld 0.81ld, 2-47
Hose, Rbr, Pinch Valve, 2-47
Hose, Solution, 3-7
Hose, Vacuum, 3-5
Hose, Vinyl .38ld .56Od 8.0L, 2-17, 2-20, 2-23, 2-25
Hose, Vinyl Clr, .50ld X65.0L, 3-3
Hose, 3-5, 3-9
Housing, Control Lever, 2-47
Housing, Cyl, Mach, 700mm, 2-29
Housing, Cyl, Mach, 800mm, 2-33
Housing, Cyl, Mach, 900mm, 2-37
Housing, Cyl, Replacement 28, 2-29
Housing, Cyl, Replacement 32, 2-33
Housing, Cyl, Replacement 36, 2-37
Housing, Steering, Adj, Std, w/Label, 2-53
Housing, 4-15, 4-17
Hub, Drive, Brush, Disk, 0.75b 6t, 2-17, 2-20, 2-23, 2-25

I

Instructions, Machine, 5700, 3-47
Insulation, Sound, 3-45
Isolator, Transaxle, 2-11
Isolator-Vibration,125Lb.Ratng, 2-11

K

Key Set, 2-53
Key Square 0.25 0.25 01.00 Lg, 4-9, 4-13
Key, Set Of Two, 2-55
Key, Sq, 0.12 X 0.12, 01.00l, 4-11
Key, Sq, 0.25 X 0.25, 0.75l, 4-10
Key, Square 0.12 0.12 0 1.00 Lg, 4-8
Key, Square 0.25 0.25 0.75 Lg, 4-12
Key, Square 0.25 0.25 0.75Lg, 2-17, 2-20
Kit, Brace, 4-11
Kit, Brush, Motor, Ele (Kit842), 4-7

Kit, Brush, 4-11
 Kit, Ci, Rplmt, Rear Panel, 2-55
 Kit, Ci, Sol Valve [5700], 2-47
 Kit, Ci, Sqge, Assy, [5680/5700] [700], 2-67
 Kit, Ci, Sqge, Assy, [5680/5700] [800], 2-69
 Kit, Ci, Sqge, Assy, [5680/5700] [900], 2-71
 Kit, Gear, Differential, 4-3, 4-5
 Kit, Label [5700], 2-84
 Kit, Motor Bearing, 4-11
 Kit, Repair, Diaphragm, Air Compressor, 3-29, 3-31, 3-33
 Kit, Replmt, Sqge Frame, F/222411, 2-71
 Kit, Sensor, Optical, 3-26
 Kit, Sensor, Shielded, 3-27
 Kit, Shroud And Label, Std, 2-55
 Kit, Sound Reduction, 3-45
 Knob, 4 Prongs w/.31-8 Insert, 2-65, 2-67, 2-69, 2-71
 Knob, Adjustable, Squeegee, 3-7
 Knob, M8X1.25 Insert, 2-39
 Knob, Potentiometer 0.125 Shaft, 3-46
 Knob, Star, 1.5d 3 Ear 0.8l M08x1.25 Pls, 3-17
 Knob, W/M8 1.25X125Lg Stud, 2-63
 Knob, W1.25-20X1.5Lg Stud, 2-65, 2-67, 2-69, 2-71

L

Label Set, Fast, 3-42
 Label Set, Info & Hzd 5700, 2-84
 Label Set, Operational 5700, 2-84
 Label, Attention, Fast, 3-42
 Label, Clean Level Sensor Daily, 3-26
 Label, Es Logo, Off-White, 3-3
 Label, Fast, 3-42
 Label, Speed Adjustment, 3-46
 Label, Switch, Fast, 3-42
 Lamp Assy, Indicator, Green, 36Vdc, 2-55
 Lamp Assy, Indicator, Red, 36Vdc, 2-55
 Latch, Draw, Flexible, 3-18
 Latch, 2-53, 2-55
 Lever, Control, 2-47
 Lever, Squeegee Lift, Upper, 2-61
 Lever, Squeegee Lift, 2-61
 Lever, Valve, 2-47
 Light Assy, Indicator, Blue, 36Vdc, 2-53
 Light Assy, Indicator, Green, 36Vdc, 2-53
 Light Assy, Indicator, Red, 36Vdc, 2-53
 Link Kit, Sqge, F/222235, Replmt, 2-63
 Link Kit, Sqge, F/222486, Replmt, 2-63
 Link, Sqge, Upper, Lh, 2-63
 Link, Sqge, Upper, 2-63
 Link, Squeegee Lift, Lower, 2-63
 Lip, Debris Tray 32", 2-33
 Lip, Debris Tray, 28", 2-29
 Lip, Debris Tray, 36, 2-37

M

Manifold, [FaST 5700], 3-39
 Manual Package 5700, Japanese, 3-47
 Manual Package 5700, 3-47
 Manual, Cd-Rom, Oprtr & Parts, All (NA), 3-47
 Manual, OP/MT 5700, French, 3-47
 Manual, OP/MT 5700, Spanish, 3-47
 Manual, Service 5700, 3-47
 Meter, Brush Down Pressure, 2-53
 Meter, Volt, Battery Condition, 2-53
 Motor 36V Dc, 4-18
 Motor Assy, Ele, 36V, 0.75Hp, 1700Rpm (See Breakdowns), 2-27, 2-31, 2-35
 Motor Assy, Ele, 36Vdc, 0.75Hp, 1700Rpm, 4-11
 Motor Assy, Elec, (Replaced by 374002) (See Breakdowns), 2-18, 2-21
 Motor Assy, Elec, (Replaced by 377440) (See Breakdowns), 2-18, 2-21
 Motor Assy, Elec, Brush, 0.6Hp, 4-9
 Motor, .75 Hp, 36V, 1700Rpm (See Breakdowns), 2-27, 2-31, 2-35
 Motor, .75 Hp, 36V, 1700Rpm, 4-8
 Motor, Ele, 36vdc 0.50hp 0320rpm 15.0a (See Breakdowns), 2-17, 2-20
 Motor, Ele, 36vdc 0.50hp 0320rpm 15.0a, 4-10
 Motor, Ele, 36Vdc 0.50Hp 1900Rpm (Replaced by 374265) (See Breakdowns), 2-11
 Motor, Ele, 36vdc 0.50hp 1900rpm, 4-7
 Motor, Ele, 36Vdc 0.50Hp 2000Rpm (See Breakdowns), 2-11, 4-3, 4-5
 Motor, Electric, 4-12
 Motor, Gear, 1.0Hp 36V (See Breakdowns), 2-23, 2-25
 Motor, Gear, 1.0Hp 36V, 4-13
 Motor, Elec 0.5Hp36V.Dc, 1900Rpm (Replaced By 374265) (See Breakdowns), 4-3, 4-5
 Motor, Elec 0.5Hp36V.Dc, 1900Rpm, 4-6
 Motor, Elec 0.5Hp36V.Dc, 2000Rpm (See Breakdowns), 2-11
 Mtr Gear Kit, 4-3, 4-5

N

Nozzle, Spray, 3-7
 Nozzle, Vacuum Wand, 3-4
 Nut Hx Ss M 8X1.25, 2-63
 Nut Hx Std Ss M12X1.75, 3-12
 Nut Hxlocnyln M 6X1.0 Reg Ss, 2-61
 Nut Speed, Retainer, .25-20 Thd, 2-3, 2-65, 2-67, 2-69, 2-71
 Nut, Hex, Flexlock, .31-18, 2-49
 Nut, Hex, Jam, .31-24, 2-59
 Nut, Hex, Lock, .38-16, NI, Ss, 2-17, 2-20, 2-23, 2-25, 2-29, 2-33, 2-37
 Nut, Hex, Lock, .38-16, NI, Thin, 2-18, 2-21, 2-23, 2-25, 2-29, 2-33, 2-37
 Nut, Hex, Lock, M05 X 0.8, NI, 2-55

Nut, Hex, Lock, M06 X 1.0, NI, 2-61, 3-29, 3-31, 3-33
 Nut, Hex, Lock, M08 X 1.25, NI, Ss, 2-29, 2-33, 2-37
 Nut, Hex, Lock, M4 X 0.7, NI, 3-31, 3-33
 Nut, Hex, Lock, M6 X 1.0, NI, 2-29, 2-33, 2-37
 Nut, Hex, Std, #10-32, 2, 2-59
 Nut, Hex, Std, M04 X 0.7, 3-29
 Nut, Hex, Std, M08 X 1.25, 2-55, 2-57, 2-59
 Nut, Hex, Std, M10 X 1.5, 2-17, 2-20, 2-23, 2-25, 2-29, 2-33, 2-37
 Nut, Hex, Std, M3 X 0.5, 8, 2-61
 Nut, Hex, Std, M8 X 1.25, 2-53
 Nut, Retainer R/.312 Dia, 2-17, 2-20, 2-23, 2-25
 Nut, Wheel, 2-13
 Nut-Hx Thin .38-32, 2-51
 Nut-Hxlocnyln M 8X1.25 Reg Ss, 2-11, 2-15, 2-17, 2-20, 2-23, 2-25, 2-27, 2-31, 2-35, 2-39, 2-41, 2-47, 2-63, 2-65, 2-67, 2-69, 2-71, 3-4, 3-11, 3-12, 3-15
 Nut-Hxlocnyln M 8X1.25 Reg18-8, 2-61
 Nut-Hxlocnyln M 8X1.25 Reg Ss, 2-27, 2-31, 2-35
 Nut, 4-15, 4-17

O

O Ring, 1.48" Id, 1.76" Od, 2-41
 O-Ring, 4-3, 4-5
 Oil Seal, 4-9

P

Packing, Breather, 4-3, 4-5
 Packing, Cap, 4-3, 4-5
 Packing, Pawl, 4-3
 Pad, Buff 14D Red, 2-5
 Pad, Buff 16D Red, 2-7
 Pad, Buff 18D Red, 2-9
 Pad, Pedal, 3-12
 Pad, Polish 14D White, 2-5
 Pad, Polish 16D White, 2-7
 Pad, Polish 18D White, 2-9
 Pad, Scrub 14D Blue, 2-5
 Pad, Scrub 16D Blue, 2-7
 Pad, Scrub 18D Blue, 2-9
 Pad, Strip 14D Brown, 2-5
 Pad, Strip 16D Brown, 2-7
 Pad, Strip 18D Brown, 2-9
 Pad, Strip-Hd 14D Black, 2-5
 Pad, Strip-Hd 16D Black, 2-7
 Pad, Strip-Hd 18D Black, 2-9
 Pawl, Park, 4-3
 Pin, Clevis 0.50 Dia X 4.75Lg, 2-17, 2-20, 2-23, 2-25, 2-29, 2-33, 2-37
 Pin, Clevis 6 Dia X 40 Lg, 2-63
 Pin, Clevis, 0.31Dia X4.5Lg, 2-17, 2-20, 2-23, 2-25, 2-29, 2-33, 2-37

CROSS REFERENCE

Pin, Clevis, 0.37 Dia 2.25Lg, 2-65, 2-67, 2-69, 2-71
Pin, Clevis, 0.62 Dia X 2.00Lg, 2-15
Pin, Cotter .125X0.75, 2-29, 2-33, 2-37
Pin, Cotter .062X0.75, 2-63
Pin, Cotter .094X0.75, 2-65, 2-67, 2-69, 2-71
Pin, Cotter .094X1.00, 3-12
Pin, Cotter .125X0.75, 2-17, 2-20, 2-23, 2-25
Pin, Hair Cotter .375D .072Wir, 2-15
Pin, Pivot Block, 2-63
Pin, Roll 3.5-32, 4-3
Pin, Roll 6-32, 4-3
Pin, Roll, 2-27, 2-31, 2-35
Pin, Roller, 2-29, 2-33, 2-37
Pin, Clevis, 0.31 Dia. X 1.12 Lg, 3-12
Pin, Clevis, 0.37 Dia. X 1.50 Lg, 2-15
Pin, Clevis, 0.50 Dia. X 2.00 Lg, 2-15
Pin, Hair Cotter .12Wire 2.37Sl, 2-15, 2-17, 2-20, 2-23, 2-25, 2-29, 2-33, 2-37, 2-63
Pin- Cotter .094X0.75, 3-12
Pinion Gear, 4-3, 4-5
Piston-Inner&Out, 4-18
Pivot, Squeegee Lift, 2-61
Plate Weldment, Stop, 3-12
Plate Wldt, Ele, [5700], 2-59
Plate Wldt, Electronics, 2-57
Plate, Adaptor, Motor, 2-23, 2-25
Plate, Blade Retainer 28", 2-67
Plate, Blade Retainer 32, 2-69
Plate, Blade Retainer 36", 2-71
Plate, Blade Retainer, Tight-Aisle, 2-65
Plate, Fan Mtg, Dual, 3-15
Plate, Mtg, Detgt Pump, 3-31, 3-33
Plate, Mtg, Pump, 3-29
Plate, Orifice, 0.040id, 3-41
Plate, Shield, 2-51
Plate, Squeegee Pivot, 2-61
Plug Drive Assy, 2-27, 2-31, 2-35
Plug Idler Assy, 2-27, 2-31, 2-35
Plug, Breather, 4-3, 4-5
Plug, Brush, 2-27, 2-31, 2-35
Plug, Drain, 4-3, 4-5
Plug, Drive, Brush, [48 Tooth - Gt/2], 2-27, 2-31, 2-35
Plug, Expandable 1.00 Dia, 2-39
Plug, Expandable 1.5D X 1.75L, 2-39
Plug, Hole, Hourmeter, Blk, 2-53, 2-55
Plug, Solution Tank, 2-43
Plug, Switch, 2-53
Plug, 4-3, 4-5
Plugbtn 1.25H .12 Max Blacknyl, 2-53
Potentiometer Assy, Electronic, 2-51, 3-46
Power Tran, 4-24
Power Transformer, 4-19, 4-21, 4-25, 4-26
Pump Assy, Water 36Vdc (See Breakdowns), 3-3
Pump Assy, Water 36Vdc, 4-18
Pump Head Assembly, 4-18
Pump Kit, Detgt, Replmt, [5680/5700], 3-29

Pump Screws, 4-18
Pump, Air, Ele, 36vdc, 3-29, 3-31, 3-33
Pump, Detgt, [560s], 3-31, 3-33
Pump, Solution, Ele, 36vdc, 3-41
Pump, Water 0.5 Gpm 12Psi 36V, 3-9
Pump, 4-18
Pushnut, 3-17

R

Rectifier Assy, 4-20, 4-22
Rectifier Scr 20A, 4-20
Relay, 36Vdc, 9A, Spdt, 3-3
Relay, 36Vdc, 9A, Spdt, 2-57, 2-59
Replacement Kit, Hose, 3-9
Replm Kit, Actuator, 2-15
Replm Kit, Battery 6V/335 Wet, 3-23
Replm Kit, Brush Skirts, 2-3
Replm Kit, Rear Panel, 2-53
Replm Kit, Screen, 2-47, 3-9
Replm Kit, Seal, 2-27, 2-31, 2-35
Replm Kit, Squeegee Pivot, 2-61
Resistor, 011.00ohm, 40watt, 3-33
Retainer, Blade, End, Sqge, Tight-Aisle, 2-65
Rim, 2-13, 3-22
Ring, Snap, 4-11
Ring, Spacer, 2-23, 2-25
Ring, Retain, Ex, 0.59Od, Basic, 2-27, 2-31, 2-35
Rivet, Blind, .125D X 0.32 X .25D, Stl, 2-55
Rivet, Pop, .125D X .32 X .25Dhd, 2-53
Rivet, Pop-.125D X .32 X .25Dhd St, 2-61
Rivet, Pop-.125Dx.44X.25Dhd Al, 3-18
Rivet, Pop, 3-7
Rod, Brake .50 D, 3-12
Rod, Thr, 2 End M08X1.25 01.4, 3-17
Roller, Bumper, 2-3, 2-29, 2-33, 2-37
Roller, Linkage, Head, 2-17, 2-20, 2-23, 2-25, 2-29, 2-33, 2-37
Roller, Rwk, 2-29, 2-33, 2-37
Roller, Sqge Centering, 2-63
Roller, 3-17

S

Sales Video, 5700 Operation, 3-47
Scr Flt M 5X0.8 16, 2-65
Scr Flt M8 x 1.25 25, 2-27, 2-31, 2-35
Scr Hex Ssm 8X1.25 50, 2-65, 2-67, 2-69, 2-71
Scr Hexss M6 X 1.0 25, 2-17, 2-20
Scr Hexss M8 X 1.25 20, 2-17, 2-20
Scr Hexss.25-20X1.00, 2-18, 2-21
Scr Hexss.31-18X0.75, 2-18, 2-21
Scr Hexssm 8X1.25 30, 2-11, 2-23, 2-25, 2-47, 3-4, 3-11, 3-12
Scr Hexssm 8X1.25 25, 2-11, 2-53, 2-55, 3-12, 3-15
Scr Hexssm 8X1.25 45, 2-11, 2-63
Scr Hexssm 8X1.25 55, 2-15

Scr Hexssm 8X1.25 70, 2-65, 2-67, 2-69, 2-71
Scr Hexssm 8X1.25 16, 2-45
Scr Hexssm 8X1.25 35 Nylonloc, 2-11
Scr Hexssm 8X1.25 40, 2-11, 2-63
Scr Hexssm 8X1.25, 2-27, 2-31, 2-35, 2-39, 2-41
Scr Panssm 4X0.7 35, 2-5, 2-7, 2-9
Scr-Flt M 8X1.25 30 Ss18-8, 2-61
Scr-Flt M3x0.5 6 SS18-8, 2-51
Scr-Flt M 8X1.25 20 Blk Nyloc, 2-43, 2-47
Scr-Flt M10 X 1.5 20, Ss NI, 2-27, 2-31, 2-35
Scr-Flt M8 X 1.25 25 Ss, 2-27, 2-31, 2-35
Scr-Flt M8 X 1.25 40, 2-17, 2-20, 2-23, 2-25
Scr-Hex .31-18X1.50 Ss, 2-23, 2-25
Scr-Hexssm 8X1.25 16 Nylon Loc, 2-15, 3-9
Scr-Hexssm 8X1.25 20 NyInloc, 2-11
Scr-Hexssm 8X1.25 20, 2-15, 2-39, 2-41, 2-43, 2-45, 2-47
Scr-Hexssm 8X1.25 25 NyInloc, 2-43, 2-57, 2-59
Scr-Hexssm 8X1.25 25 Nylonloc, 2-11
Scr-Hexssm10X1.5 40 Full Thd, 2-17, 2-20, 2-23, 2-25, 2-29, 2-33, 2-37
Scr-Hexssm6X1.0 25, 2-29, 2-33, 2-37
Scr-Hxfmg M6 X 1.0 20, 2-29, 2-33, 2-37
Scr-Hxfmg M8 X 1.25 25, 2-27, 2-31, 2-35
Scr-Set 8-32 X .25 Nylon Loc, 2-27, 2-31, 2-35
Scr-Set Cam Brg, 4-18
Screen, 50 Mesh, Ss, 3-41
Screen, Drain, 2-47, 3-9
Screen, Filter, 80 Mesh, 3-41
Screen, Solution 60 Mesh, Cyl, 3-3
Screw Hexssm 6X1.0 16 Nylonloc, 2-61
Screw Hexssm 6X1.0, 2-61
Screw, Btn, M8 X 1.25 X 40, Ss18-8, 2-67, 2-69, 2-71
Screw, Flat, M 8X1.25 Ss, 2-27, 2-31, 2-35
Screw, Flt, .38-16 X 0.75, Al, 2-23, 2-25
Screw, Hex, .38-16 X 5.50, G5, 2-17, 2-20, 2-23, 2-25, 2-29, 2-33, 2-37
Screw, Hex, M 4 X 0.7 X 10, Fmg, 2-59
Screw, Hex, M 6 X 1.0 X 10, Fmg, 2-59
Screw, Hex, M 8 X 1.25 X 20, Ss, NI, 2-39, 2-41
Screw, Hex, M04 X 0.7 X 12, 8.8, 3-29, 3-31, 3-33
Screw, Hex, M06 X 1.0 X 20, Ss, 3-29, 3-31, 3-33
Screw, Hex, M06 X 1.0 X 30, 8.8, 3-29, 3-31
Screw, Hex, M06 X 1.0 X 45, 8.8, 2-61
Screw, Hex, M06 X 1.0 X 16, Ss, 2-27, 2-31, 2-35
Screw, Hex, M06-1.0 X 16, 2-27, 2-31, 2-35
Screw, Hex, M08 X 1.25 X 16, Ss, 2-47
Screw, Hex, M08 X 1.25 X 35, Ss, 2-29, 2-33, 2-37

Screw, Hex, M4 X 0.7 X 10, Fmg, 3-33
 Screw, Hex, M6 X 1.0 X 12, Ss, NI, 3-37
 Screw, Hex, M6 X 1.0 X 25, Fmg, 3-33
 Screw, Hex, M8 X 1.25 X 20, Ss, NI, 3-37
 Screw, Hex, M8 X 1.25 X 25, Fmg, 2-29, 2-33, 2-37, 3-37
 Screw, Hex, M8 X 1.25 X 25, Ss, 2-63
 Screw, Hex, M8 X 1.25 X 35, Ss, FI, 2-63
 Screw, Pan, #06-20 X 0.50, Fmg, 2-55
 Screw, Pan, #08 -32 X 0.38, 2-47
 Screw, Pan, #08-10 X 0.50, F/Plstc, 3-29, 3-31, 3-33, 3-39
 Screw, Pan, M05 X 0.8 X 20, 4.8, 2-55
 Screw, Pan, M3 X 0.5 X 20, 4.8, 2-49
 Screw, Pan, M3 X 0.5 X 25, 4.8, 2-61
 Screw, Pan, M6 X 1.0 X 35, Ss, 2-5, 2-7, 2-9
 Screw, 4-15
 Scrub Head Kit 700D 5700, 2-17
 Scrub Head Kit 800D 5700, 2-20
 Scrub Head Kit 900D 5700, 2-23
 Scrub Head Kit Hd 800D5700, 2-25
 Seal, Fan, 4-15, 4-17
 Seal, Oil, Motor, Ele [lp], 4-10
 Seal, Oil, 4-12
 Seal, Rbr, .12 X .38 X 36.0, 2-53, 2-55
 Seal, Ring, 2-27, 2-31, 2-35
 Seal, Vac Fan, 2-45, 3-15
 Seal, 4-3, 4-5, 4-6, 4-11
 Sensor Kit, Liq Level, 2-39, 3-3
 Sensor, Optical, 3-26
 Shaft, Drive Plug, 2-27, 2-31, 2-35
 Shaft, Idler Plug, 2-27, 2-31, 2-35
 Shaft, Parking, 4-3
 Shaft, Roller, 3-17
 Shell, 4-15, 4-17
 Shield, Belt, 2-27, 2-31, 2-35
 Skirt Assy, Disk Head, 28", 2-3, 2-17
 Skirt Assy, Disk Head, 32", 2-3, 2-20, 2-25
 Skirt Kit, Urethane, Scrubber Head, 3-25
 Skirt, Assy, Disk Head 36, 2-23
 Skirt, Assy, Disk Head, 36", 2-3
 Skirt, Debris Tray, 2-29, 2-33, 2-37
 Skirt, Deflector, 2-3, 2-27, 2-31, 2-35
 Skirt, Scrub Head, 2-3, 2-27, 2-31, 2-35, 3-25
 Sleeve .62D .34B .38L, 3-12
 Sleeve, .318B .496D .312 Ss, 2-43
 Sleeve, .344B .62D.72 Bronze, 2-63
 Sleeve, .344B .62D.93 Bronze, 2-63
 Sleeve, .344B .62D1.3 Bronze, 2-15, 3-12
 Sleeve, .500B .62D1.31 Stl, 2-18, 2-21, 2-23, 2-25, 2-29, 2-33, 2-37
 Sleeve, P/M, 0.496d 0.318b 0.31l 430ss, 2-39, 2-41
 Sleeve, P/M, 0.50b 0.63d 1.4l, Stl Pl, 2-17, 2-20, 2-23, 2-25, 2-29, 2-33, 2-37
 Sleeve, 2-17, 2-20, 2-23, 2-25, 2-43, 2-61, 2-65, 2-67, 2-69, 2-71
 Snap Ring, 4-3, 4-5, 4-6, 4-8
 Spacer, Battery .62X1.5X21.0, 2-49, 3-23
 Spacer, Battery 3.0X4.3X21.0, 2-49
 Spacer, Lift Arm, 2-15

Spacer, Pad Holder, 2-5, 2-7, 2-9
 Spacer, 4-15, 4-17
 Speed Reduction Kit, 5700, 3-46
 Spring, Brush Retaining, 2-5, 2-7, 2-9
 Spring, Brush, 4-12
 Spring, Centering, 2-11
 Spring, Cmpr, 0.85od .08wir 2.0l, 2-29, 2-33, 2-37
 Spring, Compression, 3-7
 Spring, Door, 2-27, 2-31, 2-35
 Spring, Park, 4-3
 Spring, Return, 4-3
 Spring, Tension, 2-17, 2-20, 2-23, 2-25, 2-29, 2-33, 2-37, 2-63
 Spring, Torsion Centering, 2-51
 Spring, Torsion, Wheel, 2-65, 2-67, 2-69, 2-71
 Spring, Torsion, 2-43, 3-12
 Spring, Comp, .84Odx.10Wire 2.0L, 2-17, 2-20, 2-23, 2-25, 2-29, 2-33, 2-37
 Spring, 4-15, 4-17
 Sprng, Comp, 0.59ldx.05Wire 0.6L, 2-61
 Sprng, Comp, 0.74ldx.11Wire 2.5L, 2-17, 2-20, 2-23, 2-25, 2-29, 2-33, 2-37
 Sprocket, Drive, 2-27, 2-31, 2-35
 Squeegee Assembly, Tight-Aisle, 2-65
 Squeegee Kit F/Tile Gumrbr 700, 2-3
 Squeegee Kit F/Tile Gumrbr 800, 2-3, 2-69
 Squeegee Kit F/Tile Gumrbr 900, 2-3, 2-71
 Squeegee Kit F/Tile, Tight-Aisle, 2-65
 Squeegee Kit Oil Rs Urethan700, 2-67
 Squeegee Kit Oil Rs Urethn 700, 2-3
 Squeegee Kit Oil Rs Urethn 800, 2-3, 2-69
 Squeegee Kit Oil Rs Urethn 900, 2-3, 2-71
 Squeegee Kit Oil Rs, Tight-Aisle, 2-65
 Squeegee Kit, F/Tile Gumrbr700, 2-67
 Stationary Fan, 4-15, 4-17
 Stop, Tank, 2-43
 Strap, Cap Retainer, 2-39
 Strap, Drain Cap, 2-41
 Strap, Drainhose, 2-39
 Strap, Lanyard, 2-57, 2-59
 Strap, Poly, Webbing, 100" L, 2-49
 Strap, Rubber, 3-11
 Strip, Debris Tray, 2-29, 2-33, 2-37
 Strip, Retainer, 3-7
 Strip, Stop, Adj. Shroud, 2-53
 Stud, Adjustable, 3-7
 Stud, M8X1.25 20 8.8 Pltd, 2-39
 Stud, Wheel .44-20 X1.22, 4-3, 4-5
 Switch Assy, Key Spst, 2-53
 Switch, Float, 2-39, 2-41, 3-3, 3-27
 Switch, Pushbutton, 3-13
 Switch, Red Stop, 4-20, 4-22
 Switch, Rocker, 28vdc 16a Dpdt On/N/On, 3-42
 Switch, Rocker, Dpst, 2-55, 3-3
 Switch, Rocker, Hole Plug, 2-55
 Switch, Scrub, 2-53
 Switch, Snap Actn, 250vdc 25a Spdt, 2-61
 Switch, 2-55, 3-3, 3-9
 Swivel, 2-47

T

Tank, Recovery, 2-39, 2-41
 Tank, Solution, w/Label, 2-43
 Terminal, Fem, 10/12ga [Mp630 P2s], 4-7
 Terminal, Female, 4-6, 4-8, 4-9, 4-11, 4-15, 4-17
 Terminal, 4-13
 Tie Cable 3.00D Max 11.41Lg, 2-17, 2-20, 2-23, 2-25, 2-29, 2-33, 2-37
 Tie, Cable 1.75D Max 7.50Lg, 2-45
 Tie, Cable 3.00D Max 11.41Lg, 2-39, 2-41
 Tie, Cable 4.00 Max 14.50Lg, 2-17, 2-20, 2-23, 2-25, 2-57, 2-59
 Tie, Cable 4.00D Max 14.50 Lg, 2-27, 2-31, 2-35
 Timer, 36vdc, Detgt [.35on/1.38off], 3-29, 3-31, 3-33
 Timer, E.S., 3-3
 Tire & Rim Assy 12.3 Dia Solid, 3-20
 Tire & Rim Assy Foam Filled, Black, 3-21
 Tire & Rim Assy Foam Filled, Gray, 3-21
 Tire and Rim Assembly, Black, 2-13
 Tire and Rim Assembly, Gray, 3-22
 Tire, 4.10/3.5-6, Black, 2-13
 Tire, Gray, 3-22
 Tool, Removal, Shaft, F/ 222176, 2-27, 2-31, 2-35
 Transaxle Assy, W/O Parking Brake (See Breakdowns), 2-11
 Transaxle Assy, W/O Parking Brake, 4-5
 Transaxle Assy, W/Parking Brake (See Breakdowns), 2-11, 3-12
 Transaxle Assy, W/Parking Brake, 4-3
 Transformer, Power, 4-23
 Tray, Debris, 28, 2-29
 Tray, Debris, 32, 2-33
 Tray, Debris, 36, 2-37
 Tray, Wand, 3-11
 Triac, Charger, 4-19, 4-21
 Tube Assy, Bar, Spray 700mm, 3-37
 Tube Assy, Spray, Cyl, 800mm, 3-37
 Tube, Drain, 2-39, 2-41
 Tube, Inner, 2-13, 3-22
 Tube, Plastic, 25mm Id, 3-39
 Tube, Poly .38ld X .06W X 16L, 3-3
 Tube, Rnd, 0.40id 0.50od 04.3l, Ss, 2-17, 2-20, 2-23, 2-25, 2-29, 2-33, 2-37

V

Vacuum Fan Kit, Dual, 3-15
 Vacuum Fan, 4-15, 4-17
 Valve, Check, 2 Gpm 2 Psi Bm04/Bm04, 3-31, 3-33
 Valve, Solenoid, 2-47
 Valve, Water, Solenoid, 36vdc Pf02, 3-39
 Valve, Water, 3-7
 Varistor, 4-20, 4-21, 4-22, 4-25, 4-26
 Vent, Valve, 4-3, 4-5
 Video, Sales, Operation, 5700 Pal, 3-47

CROSS REFERENCE

W

Wall Roller Kit 5700, 3-17
Wand Vacuum 5700, 3-4
Wand Assembly, 3-7
Wand, Off-Aisle, 3-7
Wand, Vacuum, 3-4
Washer Flt .25 Ss, 2-27, 2-29, 2-31, 2-33,
2-35, 2-37, 2-61
Washer Flt .38 Ss, 2-17, 2-20, 2-23, 2-25,
2-63
Washer, .31OB .88D .12Rbr, 2-63
Washer, .344B .69D .06Nylon, 2-47, 3-12
Washer, .375B 1.25D .12Neopre, 2-65,
2-67, 2-69, 2-71
Washer, .406B .81D .09Ureth, 2-17, 2-20,
2-23, 2-25
Washer, .467B 1.19D .03Nylon, 4-8
Washer, .660B 1.00D .12 Rbr, 2-39
Washer, .660B 1.00D .12Rbr, 3-26
Washer, 0.34b 0.75d .012, Epdm, 3-41
Washer, 0.47b 1.19d .03, Nyl, 4-11
Washer, 0.53b 1.75d .12, Stil, Pl, 2-29,
2-33, 2-37
Washer, Bellville .31 Pltd, 2-11
Washer, Finish M8 Blk, 2-47
Washer, Flat, .31 Fender, 2-39, 2-41
Washer, Flat, #08, 3-29, 3-31, 3-33
Washer, Flat, #8, Ss, 2-5, 2-7, 2-9
Washer, Flat, 0.25 Fender, 2-59
Washer, Flat, 0.25 Ss, 2-5, 2-7, 2-9, 3-37
Washer, Flat, 0.25 Std, 2-17, 2-20, 2-23,
2-25, 2-59
Washer, Flat, 0.31 Fender, 3-17
Washer, Flat, 0.31 Sae, 2-59
Washer, Flat, 0.38b 0.88d .08, Ss, 2-11,
2-15, 2-17, 2-20, 2-23, 2-25, 2-27,
2-29, 2-31, 2-33, 2-35, 2-37, 2-39,
2-41, 2-43, 2-45, 2-47, 2-57, 2-59,
2-61, 2-63, 2-65, 2-67, 2-69, 2-71,
3-4, 3-9, 3-11, 3-12, 3-15, 3-17, 3-37
Washer, Flat, 0.38b 1.22d .06, Ss, 2-17,
2-20, 2-23, 2-25, 2-29, 2-33, 2-37
Washer, Flt .50 SAE, 2-17, 2-18, 2-20,
2-21, 2-23, 2-25, 2-29, 2-33, 2-37
Washer, Flt, .50 Sae, 2-67, 2-69, 2-71
Washer, Flt, 0.321b 1.00d .12, Ss, 2-11
Washer, Flt, 0.40b 1.12d .12, Ss, 2-11
Washer, Lock, Int, .31, 2-59
Washer, Lock, Int, #10, 2-59
Washer, Lock, Int, M3 Ss, 2-49, 2-61
Washer, Lock, Int-Ext, .31, 2-55
Washer, Lock, Int-ext, 0.31, 2-53
Washer, Neo., 4-15, 4-17
Washer, Spacer, Speed Control, 2-51
Washer, Spring, 4-11
Washer- Flt 17 X30X3 Ss M16, 2-39
Washer-Belleville .31 Pltd, 2-17, 2-20,
2-23, 2-25
Washer-Flt .31 Fender Pltd, 2-43, 2-53,
2-55
Washer-Flt 17 X 30 X3 Ss M16, 3-26
Washer-Thrust, 3-12
Washer, 4-15

Wavy Washer, 4-6, 4-8
Wheel Assy, 5.0 Neoprene, 3-19
Wheel, 2.0 Dia, 2-3, 2-17, 2-20, 2-23, 2-25
Wheel, 3.0 Dia, 2-3, 2-65, 2-67, 2-69, 2-71
Wheel, Guide, 3-7
Wire Assy, Cable, 4ga, Red, 2-49



We Need Your Help...

As part of Tennant's Zero Defects Program, we want to know about errors you have found or suggestions you may have regarding our machine manuals. If you find an error or have a suggestion, please complete this postage-paid form and mail it to us. Thank you for helping us make zero defects a way of life at Tennant.

Manual No. _____ Rev. No. _____ Publish Date _____ Page _____
Machine _____ Report Error Suggestion

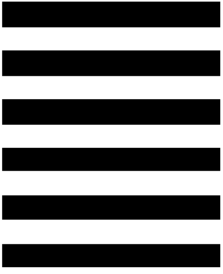
Name _____ Date _____
Customer Number _____
Company _____
Address _____
City/State/Zip Code _____



TENNANT COMPANY
 Technical Publications #15
 701 North Lilac Drive
 P.O. Box 1452
 Minneapolis, MN 55440-9947

POSTAGE WILL BE PAID BY ADDRESSEE

BUSINESS REPLY MAIL
 FIRST CLASS MAIL PERMIT NO. 94 MINNEAPOLIS, MN



NO POSTAGE
 NECESSARY
 IF MAILED
 IN THE
 UNITED STATES



Fold along dotted lines

Tape here





We Need Your Help...

As part of Tennant's Zero Defects Program, we want to know about errors you have found or suggestions you may have regarding our machine manuals. If you find an error or have a suggestion, please complete this postage-paid form and mail it to us. Thank you for helping us make zero defects a way of life at Tennant.

Manual No. _____ Rev. No. _____ Publish Date _____ Page _____
Machine _____ Report Error Suggestion

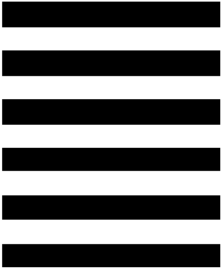
Name _____ Date _____
Customer Number _____
Company _____
Address _____
City/State/Zip Code _____



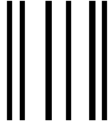
TENNANT COMPANY
 Technical Publications #15
 701 North Lilac Drive
 P.O. Box 1452
 Minneapolis, MN 55440-9947

POSTAGE WILL BE PAID BY ADDRESSEE

BUSINESS REPLY MAIL
 FIRST CLASS MAIL PERMIT NO. 94 MINNEAPOLIS, MN



NO POSTAGE
 NECESSARY
 IF MAILED
 IN THE
 UNITED STATES



Fold along dotted lines

Tape here

